

# Models 236/237 Source-Measure Units

Applications Manual



Contains Programming Examples

**KEITHLEY**

# WARRANTY

Keithley Instruments, Inc. warrants this product to be free from defects in material and workmanship for a period of 1 year from date of shipment.

Keithley Instruments, Inc. warrants the following items for 90 days from the date of shipment: probes, cables, rechargeable batteries, diskettes, and documentation.

During the warranty period, we will, at our option, either repair or replace any product that proves to be defective.

To exercise this warranty, write or call your local Keithley representative, or contact Keithley headquarters in Cleveland, Ohio. You will be given prompt assistance and return instructions. Send the product, transportation prepaid, to the indicated service facility. Repairs will be made and the product returned, transportation prepaid. Repaired or replaced products are warranted for the balance of the original warranty period, or at least 90 days.

## LIMITATION OF WARRANTY

This warranty does not apply to defects resulting from product modification without Keithley's express written consent, or misuse of any product or part. This warranty also does not apply to fuses, software, non-rechargeable batteries, damage from battery leakage, or problems arising from normal wear or failure to follow instructions.

**THIS WARRANTY IS IN LIEU OF ALL OTHER WARRANTIES, EXPRESSED OR IMPLIED, INCLUDING ANY IMPLIED WARRANTY OF MERCHANTABILITY OR FITNESS FOR A PARTICULAR USE. THE REMEDIES PROVIDED HEREIN ARE BUYER'S SOLE AND EXCLUSIVE REMEDIES.**

NEITHER KEITHLEY INSTRUMENTS, INC. NOR ANY OF ITS EMPLOYEES SHALL BE LIABLE FOR ANY DIRECT, INDIRECT, SPECIAL, INCIDENTAL OR CONSEQUENTIAL DAMAGES ARISING OUT OF THE USE OF ITS INSTRUMENTS AND SOFTWARE EVEN IF KEITHLEY INSTRUMENTS, INC., HAS BEEN ADVISED IN ADVANCE OF THE POSSIBILITY OF SUCH DAMAGES. SUCH EXCLUDED DAMAGES SHALL INCLUDE, BUT ARE NOT LIMITED TO: COSTS OF REMOVAL AND INSTALLATION, LOSSES SUSTAINED AS THE RESULT OF INJURY TO ANY PERSON, OR DAMAGE TO PROPERTY.



**Keithley Instruments, Inc. • 28775 Aurora Road • Cleveland, OH 44139 • 440-248-0400 • Fax: 440-248-6168 • <http://www.keithley.com>**

<b>BELGIUM:</b>	<b>Keithley Instruments B.V.</b>	Bergensesteenweg 709 • B-1600 Sint-Pieters-Leeuw • 02/363 00 40 • Fax: 02/363 00 64
<b>CHINA:</b>	<b>Keithley Instruments China</b>	Yuan Chen Xin Building, Room 705 • 12 Yumin Road, Dewai, Madian • Beijing 100029 • 8610-62022886 • Fax: 8610-62022892
<b>FRANCE:</b>	<b>Keithley Instruments Sarl</b>	B.P. 60 • 3, allée des Garays • 91122 Palaiseau Cédex • 01 64 53 20 20 • Fax: 01 60 11 77 26
<b>GERMANY:</b>	<b>Keithley Instruments GmbH</b>	Landsberger Strasse 65 • D-82110 Germering • 089/84 93 07-40 • Fax: 089/84 93 07-34
<b>GREAT BRITAIN:</b>	<b>Keithley Instruments Ltd</b>	The Minster • 58 Portman Road • Reading, Berkshire RG30 1EA • 0118-9 57 56 66 • Fax: 0118-9 59 64 69
<b>INDIA:</b>	<b>Keithley Instruments GmbH</b>	Flat 2B, WILOCRISSA • 14, Rest House Crescent • Bangalore 560 001 • 91-80-509-1320/21 • Fax: 91-80-509-1322
<b>ITALY:</b>	<b>Keithley Instruments s.r.l.</b>	Viale S. Gimignano, 38 • 20146 Milano • 02/48 30 30 08 • Fax: 02/48 30 22 74
<b>NETHERLANDS:</b>	<b>Keithley Instruments B.V.</b>	Postbus 559 • 4200 AN Gorinchem • 0183-635333 • Fax: 0183-630821
<b>SWITZERLAND:</b>	<b>Keithley Instruments SA</b>	Kriesbachstrasse 4 • 8600 Dübendorf • 01-821 94 44 • Fax: 01-820 30 81
<b>TAIWAN:</b>	<b>Keithley Instruments Taiwan</b>	1 Fl. 85 Po Ai Street • Hsinchu, Taiwan, R.O.C. • 886-3572-9077 • Fax: 886-3572-9031

Model 236 Source-Measure Unit  
Model 237 High Voltage Source-Measure Unit  
Applications Manual

©1989, Keithley Instruments, Inc.  
Test Instrumentation Group  
All rights reserved.  
Cleveland, Ohio, U.S.A.  
Fourth Printing, June 1993  
Document Number: 236-904-01 Rev. D

All Keithley product names are trademarks or registered trademarks of Keithley Instruments, Inc.

Other brand and product names are trademarks or registered trademarks of their respective holders.

# SAFETY PRECAUTIONS

The following safety precautions should be observed before using Model 236/237 Source Measure Units.

The Model 236/237 Source Measure Unit is intended for use by qualified personnel who recognize shock hazards and are familiar with the safety precautions required to avoid possible injury. Read over the operator's manual carefully before using the instrument.


Exercise extreme caution when a shock hazard is present. Lethal voltages may be present on the test fixture or the Source Measure Unit connector jacks. The American National Standards Institute (ANSI) states that a shock hazard exists when voltage levels greater than 30V RMS or 42.4V peak are present. A good safety practice is to expect that hazardous voltage is present in any unknown circuit before measuring.

Inspect the connecting cables, test leads, and jumpers for possible wear, cracks, or breaks before each use.


For maximum safety, do not touch the Source Measure Unit, test fixture, test cables or any other instruments while power is applied to the circuit under test. Turn off all power and discharge any capacitors before connecting or disconnecting cables or jumpers. Also, keep the test fixture lid closed while power is applied to the device under test. Safe operation requires the use of the lid interlock.

Do not touch any object which could provide a current path to the common side of the circuit under test or power line (earth) ground. Always make measurements with dry hands while standing on a dry, insulated surface capable of withstanding the voltage being measured.

Do not exceed the maximum signal levels of the test fixture, as shown on the rear panel and as defined in the specifications and operation section of the instruction manual.

Connect the  screw of the test fixture to safety earth ground using #18 AWG or larger wire (supplied accessory).

Instrumentation and accessories should not be connected to humans.

The  symbol on a Model 237 indicates that 1000V or more may be present on the terminals. Refer to the Model 236/237 Operator's Manuals for detailed operation information.

When a Model 236/237 is programmed for remote sensing, hazardous voltage may be present on the SENSE and OUTPUT terminals when the unit is in operate regardless of the programmed voltage or current. To avoid a possible shock hazard, always turn off all power before connecting or disconnecting cables to the Source Measure Unit or the associated test fixture.

# PREFACE

This Applications Manual is intended to demonstrate a number of key applications for the Models 236 and 237 Source Measure Units. Typical applications covered in this manual include: diode forward characteristics, common-emitter and common-source characteristics, current gain, threshold tests, and Gummel plots. Additional applications include using Source Measure Units with other instruments such as voltage sources, current source, and electrometers. Finally, several switching system examples are included to demonstrate how to increase the versatility of a Source Measure Unit test system.

Each application includes an example program written in Hewlett-Packard BASIC 4.0 to demonstrate programming principles, and all applications are intended to run on Hewlett-Packard Series 200 and 300 computers. The programs can be converted to run on IBM PC and compatible computers using Microsoft QuickBASIC, as outlined in Appendix A.

Before using these applications, you should become thoroughly familiar with the operation of your Model 236 or 237 Source Measure Unit. Refer to the Model 236/237 Operator's Manual, supplied with the instrument, for detailed information on operation.

# PROGRAM SYNOPSIS

A brief description of each example program in this manual is given below. Programs 1, 2, 3, 8, and 23 require only one Model 236 or 237 to operate. The remainder of the programs require two or more Source Measure Units, or one Source Measure Unit and at least one additional instrument such as a voltage source, current source, scanner, or switching matrix.

**Program 1: Resistor Voltage Coefficient Test Program.** This program requires only one Source Measure Unit, and it is intended to test the voltage coefficient of resistors. User-programmed voltage test values are used, and the current through the resistor under test is measured by the Source Measure Unit. The resistance and values and voltage coefficient are computed by the program. (pp. 2-2 to 2-7)

**Program 2: Capacitor Leakage Test Program.** Program 2 allows you to test leakage current values of capacitors using a single Source Measure Unit. User-input test voltage and delay values are used, and the program displays both leakage current and leakage resistance. (pp. 2-8 to 2-11)

**Program 3: Diode Characterization.** Program 3 determines the variability of forward voltage,  $V_F$ , as the forward current,  $I_F$ , is varied across a certain range. Once test data are compiled, a plot of  $V_F$  vs.  $I_F$  is generated on the computer CRT. (pp. 2-12 to 2-16)

**Program 4: Common-emitter Characteristics.** This program performs standard common-emitter characteristic tests of a typical small-signal NPN bipolar transistor. Two Model 236 or 237 Source Measure Units are required to run the program, with one unit sweeping  $I_B$ , and the second unit sweeping  $V_{CE}$  and measuring  $I_C$ . A total of five  $I_B$  values are used, and, at the conclusion of the test, a plot of all five  $I_C$  vs.  $V_{CE}$  curves is generated. (pp. 3-3 to 3-7)

**Program 5: Gummel Plot.** Program 5 provides a Gummel plot of an NPN bipolar transistor with  $\log(I_B, I_C)$  plotted vs.  $V_{BE}$ . Two Model 236 or 237 Source Measure Units are required; the first unit sweeps  $V_{BE}$  and measures  $I_B$ , and the second unit sources  $V_{CE}$  and measures  $I_C$ . (pp. 3-8 to 3-12)

**Programs 6A and 6B: Dc Current Gain.** Programs 6A and 6B allows dc current gain testing of an NPN transistor using two Model 236 or 237 Source Measure Units. One Source Measure Unit provides the base current,  $I_B$ , and the second unit sources  $V_{CE}$  and measures  $I_C$ . Program 6A automatically sets the base current to the correct value based on user-input target  $I_C$ . Program 6B demonstrates a high-speed current gain test method using special characteristics of the Models 236 and 237. (pp. 3-13 to 3-20)

**Program 7: Differential Current Gain.** This program allows you to enter two incremental base current values to determine the differential current gain of NPN bipolar transistors. The result approximates the ac current gain of the devices. One unit supplies the base current, and the second unit sources  $V_{CE}$  and measures  $I_C$  at each base current value. (pp. 3-21 to 3-23)

**Program 8: Transistor Leakage Current.** Using one Source Measure Unit, Program 8 measures the leakage current,  $I_{CEO}$ , as the reverse bias voltage,  $V_{CEO}$  is varied. The program generates an  $I_{CEO}$  vs.  $V_{CEO}$  plot after data are collected. (pp. 3-24 to 3-28)

**Program 9: Common-Source Characteristics.** This program uses two Source Measure Units to generate FET common-source characteristics. The first Source Measure Unit is used to sweep  $V_{GS}$ , and the second unit is used to sweep  $V_{DS}$  and measure  $I_D$ . Curves at five different  $V_{GS}$  values are generated by the program. (pp. 4-2 to 4-7)

**Program 10: Transconductance vs. Gate Voltage.** Program 10 generates a plot of  $g_{fs}$  vs.  $V_{GS}$  for a typical FET. Transconductance is computed from small, incremental changes in  $V_{GS}$  and the resulting changes in  $I_D$ . Two Model 236 or 237 Source Measure Units are required to use this program. (pp. 4-8 to 4-12)

**Program 11: Transconductance vs. Drain Current.** This program generates a plot of  $V_{GS}$  vs.  $I_D$  for an FET. Again,  $g_{fs}$  is computed from incremental  $V_{GS}$  and  $I_D$  values, and two Source Measure Units are required. (pp. 4-13 to 4-16)

**Programs 12A and 12B: Threshold Voltage.** Program 12A allows you to determine the threshold voltage of a typical FET at a specified drain current value. Two Source Measure Units are required for the program which includes an iterative search for target  $I_D$ . Program 12B demonstrates the self-bias threshold test, which is much faster, and showcases some special capabilities of the Models 236 and 237. (pp. 4-17 to 4-24)

**Program 13: Substrate Current vs. Gate Voltage.** Three Source Measure Units are required for Program 12, which generates a plot of substrate current,  $I_{SB}$ , vs. gate voltage,  $V_{GS}$ . One unit sweeps  $V_{GS}$ , the second unit sources  $V_{DS}$ , and the third unit sources  $V_{SB}$  and measures  $I_{SB}$ . (pp. 5-4 to 5-8)

**Program 14: Common-source Characteristics with Source Measure Unit Substrate Bias.** Program 14 adds substrate-bias programming for a third Source Measure Unit to a common-source characteristic test program. The program generates a plot of  $I_D$  vs.  $V_{DS}$  at five  $V_{GS}$  values. (pp. 5-9 to 5-14)

**Program 15: Common-source Characteristics with Voltage Source Substrate Bias.** Program 15 uses a Model 230 Voltage Source to provide substrate bias for the device under test. Two Model 236 or 237 Source Measure Units are also required to run the program, which generates  $I_D$  vs.  $V_{DS}$  curves at five different  $V_{GS}$  values. (pp. 5-15 to 5-19)

**Program 16: Common-emitter Characteristics with Voltage Source Substrate Bias.** Program 16 uses a Model 230 Voltage Source to provide substrate bias when measuring common-emitter characteristics. Two Source Measure Units are required in addition to the voltage source to run this program, which generates  $I_C$  vs.  $V_{CE}$  curves at five  $I_B$  values. (pp. 5-20 to 5-24)

**Program 17: Common-emitter Characteristics using Current Source.** Program 17 is one of several programs that demonstrate techniques for using a Source Measure Unit with other instruments. In this instance, a Model 220 Current Source is used to sweep the base current under program control, while a Model 236 or 237 Source Measure Unit is required to sweep  $V_{CE}$  and measure  $I_C$ . The program generates  $I_C$  vs.  $V_{CE}$  curves at five different  $I_B$  values. (pp. 6-1 to 6-6)

**Program 18: Common-source Characteristics using Electrometer.** This program utilizes a Model 617 Electrometer to sweep  $V_{DS}$  under program control and to measure  $I_D$ . A Source Measure Unit is necessary to sweep  $V_{GS}$ , and the program generates  $I_D$  vs.  $V_{DS}$  curves at five  $V_{GS}$  values. (pp. 6-7 to 6-12)



**Program 19: Power Transistor Testing.** Program 19 demonstrates using a Model 228A Voltage/Current Source in conjunction with a Source Measure Unit to test power transistor current gain. The Source Measure Unit is used to provide base current, while the Model 228A Voltage/Current Source is used to source  $V_{CE}$  and to measure  $I_C$ . (pp. 6-13 to 6-18)

**Program 20: Dc Current Gain with Scanning.** Program 20 demonstrates using a Model 705 Scanner to test a number of DUTs with one test system. Two Model 7058 Low Current Scanner Cards and two Source Measure Units are also required for the program, which can test the current gain of up to ten transistors. (pp. 7-1 to 7-7)

**Program 21: Resistivity Test Program.** Program 21 demonstrates techniques for determining the resistivity of devices. In addition to a Model 236 or 237 Source Measure Unit, the program also requires a Model 705 Scanner equipped with a Model 7152 Low Current Matrix Card. Following measurement, the program automatically calculates and displays resistivity values. (pp. 7-7 to 7-14)

**Program 22: Using a Switching Matrix to Test Transconductance.** This program uses a Model 707 Switching Matrix and a Model 7072 Semiconductor Matrix Card to demonstrate programming principles associated with matrix operation. In addition to the switching matrix, two Model 236 or 237 Source Measure Units are required for the program, which tests for and calculates the transconductance of one of three selected DUTs. (pp. 7-14 to 7-23)

**Program 23: Binary Transfer Diode Characterization Program.** Program 23 tests the forward characteristics of typical diodes using one Model 236 or 237 Source Measure Unit. The program demonstrates how to optimize measurement speed by using the binary data format to speed up IEEE-488 bus data transmission. Once data are taken, the program generates a  $V_F$  vs.  $I_F$  plot on the computer CRT. (pp. 8-3 to 8-9)

**Program 24: Binary Transfer Common-emitter Program.** This program shows binary transfer methods as applied to common-emitter characteristic testing. Two Model 236 or 237 Source Measure Units are required by the program, with one unit sweeping  $I_B$ , and the second unit sweeping  $V_{CE}$  and measuring  $I_C$ . The program generates  $I_C$  vs.  $V_{CE}$  plots for five  $I_B$  values after device testing is complete. (pp. 8-10 to 8-15)

**Program 25: Self-bias Threshold Tests with Plotting and Binary Transfer.** This program demonstrates techniques for plotting  $V_T$  vs.  $I_D$  using the self-bias method for threshold measurement. (pp. 8-16 to 8-22)

**Program 26: Log Sweep Threshold Test with Plotting:** Program 26 performs essentially the same type of test as Program 25 with modifications to generate and plot a log sweep for a wider range of test currents. (pp. 8-16 to 8-23)

#### **IBM-PC/QuickBASIC Programs (Appendix A)**

**Program A-1: Diode Characterization.** Program A-1 determines the variability of forward voltage,  $V_F$ , as the forward current,  $I_F$ , is varied across a certain range. Once test data are compiled, a plot of  $V_F$  vs.  $I_F$  is generated on the computer CRT.

**Program A-2: Transistor Leakage Current:** Using one Source Measure Unit, Program A-2 measures the leakage current,  $I_{CEO}$ , as the reverse bias voltage,  $V_{CEO}$  is varied. The program generates an  $I_{CEO}$  vs.  $V_{CEO}$  plot after data are collected.

**Program A-3: Common-Emitter Characteristics.** This program performs standard common-emitter characteristic tests of a typical small-signal NPN bipolar transistor. Two Model 236 or 237 Source Measure Units are required to run the program, with one unit sweeping  $I_B$ , and the second unit sweeping  $V_{CE}$  and measuring  $I_C$ . A total of five  $I_B$  values are used, and, at the conclusion of the test, a plot of all five  $I_C$  vs.  $V_{CE}$  curves is generated.

**Program A-4: Common-Source Characteristics.** This program uses two Source Measure Units to generate FET common-source characteristics. The first Source Measure Unit is used to sweep  $V_{GS}$ , and the second unit is used to sweep  $V_{DS}$  and measure  $I_D$ . Curves at five different  $V_{GS}$  values are generated by the program.

**Program A-5: Log Sweep Threshold Test with Plotting.** Program A-5 performs the self-bias threshold test and plots a log sweep of the results.

**Program A-6: Gummel Plot.** Program A-6 provides a Gummel plot of an NPN bipolar transistor with  $\log(I_B, I_C)$  plotted vs.  $V_{BE}$ . Two Model 236 or 237 Source Measure Units are required; the first unit sweeps  $V_{BE}$  and measures  $I_B$ , and the second unit sources  $V_{CE}$  and measures  $I_C$ .

# HOW TO USE THIS MANUAL

Outlines the overall system configuration and computer software required to run the example programs in this manual.

## **SECTION 1** General Information

Describes typical test procedures for two-terminal devices such as high-megohm resistors, diodes, and capacitors.

## **SECTION 2** Two-terminal Device Tests

Details typical bipolar transistor tests such as common-emitter characteristics and Gummel plots.

## **SECTION 3** Bipolar Transistor Tests

Covers typical FET tests such as common-source characteristics and transconductance tests.

## **SECTION 4** FET Tests

Describes using a Source Measure Unit or separate voltage source to provide substrate bias for semiconductor tests.

## **SECTION 5** Using Substrate Bias

Discusses using Source Measure Units with other types of instruments such as current sources and electrometers.

## **SECTION 6** Using Source Measure Units with Other Instruments

Outlines methods to add scanner and matrix switching capabilities to a Source Measure Unit test system to increase system versatility.

## **SECTION 7** Adding Switching Capabilities to a Source Measure Unit Test System

Describes ways to maximize data throughput in a Source Measure Unit test system by using such features as binary data transfer.

## **SECTION 8** Optimizing Measurement Speed

# Table of Contents

---

## SECTION 1 — General Information

1.1	INTRODUCTION .....	1-1
1.2	HARDWARE CONFIGURATION .....	1-1
1.2.1	System Configuration .....	1-1
1.2.2	Remote/Local Sensing Considerations .....	1-1
1.3	SOFTWARE CONFIGURATION .....	1-2
1.3.1	Programming Language .....	1-2
1.3.2	Example Programs .....	1-2
1.3.3	Graphics Routines .....	1-3
1.3.4	Factory Initialization .....	1-4
1.3.5	General Programming Considerations .....	1-4

## SECTION 2 — Two-terminal Device Tests

2.1	INTRODUCTION .....	2-1
2.2	INSTRUMENT CONNECTIONS .....	2-1
2.3	JUMPER INSTALLATION .....	2-1
2.4	VOLTAGE COEFFICIENT TESTS OF RESISTORS .....	2-1
2.4.1	Test Configuration .....	2-1
2.4.2	Voltage Coefficient Calculations .....	2-4
2.4.3	Measurement Considerations .....	2-4
2.4.4	Example Program 1: Voltage Coefficient Test .....	2-4
2.4.5	Typical Program 1 Results .....	2-5
2.4.6	Program 1 Description .....	2-5
2.5	CAPACITOR LEAKAGE TEST .....	2-8
2.5.1	Test Configuration .....	2-8
2.5.2	Leakage Resistance Calculations .....	2-8
2.5.3	Measurement Considerations .....	2-8
2.5.4	Example Test Program 2: Capacitor Leakage Test .....	2-8
2.5.5	Typical Program 2 Results .....	2-9
2.5.6	Program 2 Description .....	2-9
2.6	DIODE CHARACTERIZATION .....	2-12
2.6.1	Test Configuration .....	2-12
2.6.2	Measurement Considerations .....	2-12
2.6.3	Example Program 3: Diode Characterization .....	2-12
2.6.4	Typical Program 3 Results .....	2-13
2.6.5	Program 3 Description .....	2-13
2.6.6	Modifying Program 3 .....	2-14
2.6.7	Using Log Sweeps .....	2-14
2.6.8	Using Pulsed Sweeps .....	2-14

## SECTION 3 — Bipolar Transistor Tests

3.1	INTRODUCTION . . . . .	3-1
3.2	INSTRUMENT CONNECTIONS . . . . .	3-1
3.3	JUMPER INSTALLATION FOR TRANSISTOR TESTS . . . . .	3-2
3.4	COMMON-EMITTER CHARACTERISTICS . . . . .	3-3
3.4.1	Test Configuration . . . . .	3-3
3.4.2	Measurement Considerations . . . . .	3-3
3.4.3	Program 4: Common-emitter Characteristics . . . . .	3-3
3.4.4	Typical Program 4 Results . . . . .	3-4
3.4.5	Program 4 Description . . . . .	3-4
3.4.6	Modifying the Program . . . . .	3-5
3.5	GUMMEL PLOT . . . . .	3-8
3.5.1	Test Configuration . . . . .	3-8
3.5.2	Measurement Considerations . . . . .	3-8
3.5.3	Program 5: Gummel Plot . . . . .	3-8
3.5.4	Typical Program 5 Results . . . . .	3-9
3.5.5	Program 5 Description . . . . .	3-9
3.5.6	Modifying the Program . . . . .	3-10
3.6	CURRENT GAIN . . . . .	3-13
3.6.1	Gain Calculations . . . . .	3-13
3.6.2	Test Configuration for Search Method . . . . .	3-13
3.6.3	Measurement Considerations . . . . .	3-13
3.6.4	Program 6A: Dc Current Gain Using Search Method . . . . .	3-14
3.6.5	Typical Program 6A Results . . . . .	3-14
3.6.6	Program 6A Description . . . . .	3-14
3.6.7	Modifying Program 6A . . . . .	3-15
3.6.8	Configuration for Fast Current Gain Tests . . . . .	3-15
3.6.9	Program 6B: Dc Current Gain Using Fast Method . . . . .	3-18
3.6.10	Program 6B Description . . . . .	3-18
3.6.11	Modifying Program 6B . . . . .	3-19
3.6.12	Program 7: Ac Current Gain . . . . .	3-21
3.6.13	Typical Program 7 Results . . . . .	3-21
3.6.14	Program 7 Description . . . . .	3-21
3.6.15	Modifying Program 7 . . . . .	3-22
3.7	TRANSISTOR LEAKAGE CURRENT . . . . .	3-24
3.7.1	Test Configuration . . . . .	3-24
3.7.2	Program 8: $I_{CEO}$ Test . . . . .	3-24
3.7.3	Typical Program 8 Results . . . . .	3-25
3.7.4	Program 8 Description . . . . .	3-25
3.7.5	Modifying Program 8 . . . . .	3-26

## SECTION 4 — FET Tests

4.1	INTRODUCTION . . . . .	4-1
4.2	INSTRUMENT CONNECTIONS . . . . .	4-1
4.3	JUMPER INSTALLATION FOR FET TESTS . . . . .	4-2
4.4	COMMON-SOURCE CHARACTERISTICS . . . . .	4-2
4.4.1	Test Configuration . . . . .	4-3

4.4.2	Program 9: Common-source Characteristics . . . . .	4-3
4.4.3	Typical Program 9 Results . . . . .	4-4
4.4.4	Program 9 Description . . . . .	4-4
4.4.5	Modifying Program 9 . . . . .	4-5
4.5	TRANSCONDUCTANCE TESTS . . . . .	4-8
4.5.1	Test Configuration . . . . .	4-8
4.5.2	Program 10: Transconductance vs. Gate Voltage Test . . . . .	4-8
4.5.3	Typical Program 10 Results . . . . .	4-9
4.5.4	Program 10 Description . . . . .	4-9
4.5.5	Program 11: Transconductance vs. Drain Current Test . . . . .	4-13
4.5.6	Typical Program 11 Results . . . . .	4-13
4.5.7	Program 11 Description . . . . .	4-13
4.6	THRESHOLD TESTS . . . . .	4-17
4.6.1	Search Method Test Configuration . . . . .	4-17
4.6.2	Program 12A: Threshold Voltage Tests Using Search Method . . . . .	4-17
4.6.3	Program 12A Description . . . . .	4-17
4.6.4	Modifying Program 12A . . . . .	4-19
4.6.5	Self-bias Threshold Test Configuration . . . . .	4-21
4.6.6	Self-bias Method Measurement Considerations . . . . .	4-21
4.6.7	Program 12B: Self-bias Threshold Voltage Tests . . . . .	4-22
4.6.8	Program 12B Description . . . . .	4-22
4.6.9	Modifying Program 12B . . . . .	4-23

## SECTION 5 — Using Substrate Bias

5.1	INTRODUCTION . . . . .	5-1
5.2	SUBSTRATE BIAS INSTRUMENT CONNECTIONS . . . . .	5-1
5.2.1	Source Measure Unit Substrate Bias Connections . . . . .	5-1
5.2.2	Voltage Source Substrate Bias Connections . . . . .	5-1
5.3	SUBSTRATE BIAS JUMPER CONNECTIONS . . . . .	5-1
5.4	SOURCE MEASURE UNIT SUBSTRATE BIASING . . . . .	5-1
5.4.1	Program 13 Test Configuration . . . . .	5-4
5.4.2	Example Program 13: Substrate Current vs. Gate-source Voltage . . . . .	5-4
5.4.3	Typical Program 13 Results . . . . .	5-5
5.4.4	Program 13 Description . . . . .	5-5
5.4.5	Modifying Program 13 . . . . .	5-6
5.4.6	Program 14 Test Configuration . . . . .	5-9
5.4.7	Example Program 14: Common-source Characteristics with Source Measure Unit Substrate Bias . . . . .	5-9
5.4.8	Typical Program 14 Results . . . . .	5-9
5.4.9	Program 14 Description . . . . .	5-10
5.4.10	Modifying Program 14 . . . . .	5-10
5.5	VOLTAGE SOURCE SUBSTRATE BIASING . . . . .	5-14
5.5.1	Program 15 Test Configuration . . . . .	5-14
5.5.2	Example Program 15: Common-source Characteristics with Voltage Source Substrate Bias . . . . .	5-15
5.5.3	Typical Program 15 Results . . . . .	5-15
5.5.4	Program 15 Description . . . . .	5-15
5.5.5	Modifying Program 15 . . . . .	5-17

5.5.6	Program 16 Test Configuration .....	5-20
5.5.7	Example Program 16: Common-emitter Characteristics with Voltage Source Substrate Bias .....	5-20
5.5.8	Typical Program 16 Results .....	5-20
5.5.9	Program 16 Description .....	5-21
5.5.10	Modifying Program 16 .....	5-21

## SECTION 6 — Using Source Measure Units with Other Instruments

6.1	INTRODUCTION .....	6-1
6.2	USING A SOURCE MEASURE UNIT WITH A CURRENT SOURCE .....	6-1
6.2.1	Test Connections .....	6-1
6.2.2	Measurement Considerations .....	6-2
6.2.3	Program 17: Common-emitter Characteristics Using Current Source and Source Measure Unit ...	6-2
6.2.4	Typical Program 17 Results .....	6-3
6.2.5	Program 17 Description .....	6-3
6.2.6	Modifying Program 17 .....	6-4
6.3	USING AN ELECTROMETER WITH A SOURCE MEASURE UNIT .....	6-7
6.3.1	Test Configuration .....	6-7
6.3.2	Test Connections .....	6-7
6.3.3	Measurement Considerations .....	6-7
6.3.4	Program 18: Common-source Characteristics Using Source Measure Unit and Electrometer/Source .....	6-8
6.3.5	Typical Program 18 Results .....	6-8
6.3.6	Program 18 Description .....	6-9
6.3.7	Modifying Program 18 .....	6-10
6.4	POWER TRANSISTOR TESTING .....	6-13
6.4.1	Test Configuration .....	6-13
6.4.2	Test Connections .....	6-13
6.4.3	Measurement Considerations .....	6-14
6.4.4	Program 19: Power Transistor Current Gain .....	6-14
6.4.5	Typical Program 19 Results .....	6-15
6.4.6	Program 19 Description .....	6-15
6.4.7	Modifying Program 19 .....	6-16

## SECTION 7 — Adding Switching Capabilities to a Source Measure Unit Test System

7.1	INTRODUCTION .....	7-1
7.2	SCANNER SWITCHING OF MULTIPLE DUTS .....	7-1
7.2.1	System Configuration .....	7-1
7.2.2	Test Configuration .....	7-1
7.2.3	Equipment Connections .....	7-1
7.2.4	Measurement Considerations .....	7-1
7.2.5	Program 20: Dc Current Gain of Multiple DUTs .....	7-4
7.2.6	Typical Program 20 Results .....	7-4
7.2.7	Program 20 Description .....	7-4
7.2.8	Modifying Program 20 .....	7-5

7.3	RESISTIVITY TESTING USING MATRIX SWITCHING IN A SOURCE MEASURE UNIT TEST SYSTEM . . . . .	7-7
7.3.1	System Configuration . . . . .	7-7
7.3.2	Test Configuration . . . . .	7-7
7.3.3	Resistivity Calculations . . . . .	7-10
7.3.4	Test Connections . . . . .	7-10
7.3.5	Measurement Considerations . . . . .	7-10
7.3.6	Program 21: Resistivity Tests Using a Switching Matrix and Source Measure Unit . . . . .	7-10
7.3.7	Program 21 Description . . . . .	7-12
7.4	SOURCE MEASURE UNIT MATRIX SWITCHING SYSTEM . . . . .	7-14
7.4.1	System Configuration . . . . .	7-14
7.4.2	Test Connections . . . . .	7-16
7.4.3	Test Configuration . . . . .	7-16
7.4.4	Measurement Considerations . . . . .	7-18
7.4.5	Example Program 22: Transconductance Test Using Switching Matrix . . . . .	7-18
7.4.6	Typical Program 22 Results . . . . .	7-18
7.4.7	Program 22 Description . . . . .	7-18

## SECTION 8 — Optimizing Measurement Speed

8.1	INTRODUCTION . . . . .	8-1
8.2	FACTORS AFFECTING MEASUREMENT SPEED . . . . .	8-1
8.2.1	Integration Rate . . . . .	8-1
8.2.2	Points Per Sweep . . . . .	8-1
8.2.3	Filtering . . . . .	8-1
8.2.4	Delay Period . . . . .	8-1
8.2.5	Autoranging . . . . .	8-1
8.2.6	Data Format . . . . .	8-1
8.2.7	Controller Speed Considerations . . . . .	8-3
8.3	DIODE TEST USING BINARY DATA FORMAT . . . . .	8-3
8.3.1	Test Configuration . . . . .	8-3
8.3.2	Test Connections . . . . .	8-4
8.3.3	Example Program 23: Diode Characterization Using Binary Transfer . . . . .	8-4
8.3.4	Typical Program 23 Results . . . . .	8-5
8.3.5	Program 23 Description . . . . .	8-5
8.4	COMMON-EMITTER CHARACTERISTICS USING BINARY DATA TRANSFER . . . . .	8-10
8.4.1	Test Configuration . . . . .	8-10
8.4.2	Test Connections . . . . .	8-10
8.4.3	Measurement Considerations . . . . .	8-10
8.4.4	Program 24: Common-emitter Characteristics Using Binary Transfer . . . . .	8-10
8.4.5	Typical Program 24 Results . . . . .	8-11
8.4.6	Program 24 Description . . . . .	8-12
8.5	SELF-BIAS THRESHOLD TEST WITH PLOTTING AND BINARY TRANSFER . . . . .	8-16
8.5.1	Self-bias Threshold Test Configuration . . . . .	8-16
8.5.2	Self-bias Method Measurement Considerations . . . . .	8-17
8.5.3	Program 25: Self-bias Threshold Voltage Tests with Plotting and Binary Data Transfer . . . . .	8-17
8.5.4	Typical Program 25 Results . . . . .	8-17



8.5.5	Program 25 Description . . . . .	8-17
8.5.6	Modifying Program 25 . . . . .	8-18
8.5.7	Self-bias Threshold Test Using Log Sweep . . . . .	8-18

# List of Illustrations

---

## SECTION 1 — General Information

Figure 1-1	Typical System Configuration for Applications .....	1-2
------------	---	-----

## SECTION 2 — Two-terminal Device Tests

Figure 2-1	Instrument Connections for Two-terminal Device Tests .....	2-2
Figure 2-2	Jumper Installation for Two-terminal Device Tests .....	2-3
Figure 2-3	Voltage Coefficient Test Configuration .....	2-4
Figure 2-4	Program 1 Flowchart .....	2-5
Figure 2-5	Test Configuration for Capacitor Leakage Test .....	2-8
Figure 2-6	Program 2 Flowchart .....	2-10
Figure 2-7	Diode Characterization Test Configuration .....	2-12
Figure 2-8	Example Diode Test Program Plot .....	2-13
Figure 2-9	Program 3 Flowchart .....	2-13

## SECTION 3 — Bipolar Transistor Tests

Figure 3-1	Instrument Connections for Transistor Tests .....	3-1
Figure 3-2	Jumper Installation for Transistor Tests .....	3-2
Figure 3-3	Test Configuration for Common-emitter Tests .....	3-3
Figure 3-4	Example Plot from Test Program 4 .....	3-4
Figure 3-5	Program 4 Flowchart .....	3-4
Figure 3-6	Gummel Plot Test Configuration .....	3-8
Figure 3-7	Example Plot from Test Program 5 .....	3-9
Figure 3-8	Program 5 Flowchart .....	3-9
Figure 3-9	Test Configuration for Current Gain Tests Using Search Method .....	3-13
Figure 3-10	Program 6A Flowchart .....	3-15
Figure 3-11	Test Configuration for Fast Current Gain Tests .....	3-17
Figure 3-12	Program 6B Flowchart .....	3-19
Figure 3-13	Program 7 Flowchart .....	3-21
Figure 3-14	Configuration for $I_{CEO}$ Tests .....	3-24
Figure 3-15	Example Program 8 Plot .....	3-25
Figure 3-16	Program 8 Flowchart .....	3-25

## SECTION 4 — FET Tests

Figure 4-1	Instrument Connections for FET Tests .....	4-1
Figure 4-2	Jumper Installation for FET Tests .....	4-2
Figure 4-3	Test Configuration for Common-source Tests .....	4-3

Figure 4-4	Example Plot Generated by Program 9	4-4
Figure 4-5	Program 9 Flowchart	4-4
Figure 4-6	Test Configuration for Transconductance Tests	4-8
Figure 4-7	Program 10 Example Plot	4-9
Figure 4-8	Program 10 Flowchart	4-9
Figure 4-9	Program 11 Example Plot	4-13
Figure 4-10	Program 11 Flowchart	4-14
Figure 4-11	Test Configuration for Search Method Threshold Tests	4-17
Figure 4-12	Program 12A Flowchart	4-18
Figure 4-13	Test Configuration for Self-Bias Threshold Tests	4-22
Figure 4-14	Program 12B Flowchart	4-23

## SECTION 5 — Using Substrate Bias

Figure 5-1	Source Measure Unit Substrate Bias Connections	5-2
Figure 5-2	Voltage Source Substrate Bias Connections	5-3
Figure 5-3	Program 13 Test Configuration	5-4
Figure 5-4	Program 13 Example Plot	5-5
Figure 5-5	Program 13 Flowchart	5-5
Figure 5-6	Program 14 Test Configuration	5-9
Figure 5-7	Program 14 Example Plot	5-10
Figure 5-8	Program 14 Flowchart	5-11
Figure 5-9	Program 15 Test Configuration	5-14
Figure 5-10	Program 15 Example Plot	5-15
Figure 5-11	Program 15 Flowchart	5-16
Figure 5-12	Program 16 Test Configuration	5-20
Figure 5-13	Example Plot Generated by Program 16	5-21
Figure 5-14	Program 16 Flowchart	5-22

## SECTION 6 — Using Source Measure Units with Other Instruments

Figure 6-1	Test Configuration Using Current Source and Source Measure Unit	6-1
Figure 6-2	Test Connections for Current Source and Source Measure Unit	6-2
Figure 6-3	Example Plot from Test Program 17	6-3
Figure 6-4	Program 17 Flowchart	6-3
Figure 6-5	Test Configuration for Common Source Test Using Source Measure Unit and Electrometer/Source	6-7
Figure 6-6	Test Connections for Common Source Test Using a Source Measure Unit and Electrometer/Source	6-8
Figure 6-7	Example Plot Generated by Program 18	6-9
Figure 6-8	Program 18 Flowchart	6-9
Figure 6-9	Test Configuration Using Voltage/Current Source and Source Measure Unit	6-13
Figure 6-10	Test Connections for Voltage/Current Source and Source Measure Unit	6-14
Figure 6-11	Program 19 Flowchart	6-15

## SECTION 7 — Adding Switching Capabilities to a Source Measure Unit Test System

Figure 7-1	Scanner/Source Measure Unit System Configuration	7-2
Figure 7-2	Scanner/Source Measure Unit Test Configuration	7-2
Figure 7-3	Scanner/Source Measure Unit Test Connections	7-3
Figure 7-4	Program 20 Flowchart	7-4
Figure 7-5	System Configuration for Resistivity Tests	7-8
Figure 7-6	Resistivity Test Configuration	7-8
Figure 7-7	Measurements for Resistivity Tests	7-9
Figure 7-8	Test Connections for Resistivity Tests	7-11
Figure 7-9	Program 21 Flowchart	7-12
Figure 7-10	Source Measure Unit/CV System Configuration	7-15
Figure 7-11	Connections for Example Program 22	7-16
Figure 7-12	Connecting Triax Cables for OUTPUT LO Using Adapters	7-17
Figure 7-13	Program 22 Test Configuration	7-17
Figure 7-14	Program 22 Example Plot	7-18
Figure 7-15	Program 22 Flowchart	7-19

## SECTION 8 — Optimizing Measurement Speed

Figure 8-1	Binary Data Format	8-2
Figure 8-2	Binary Data Format (Cont.)	8-3
Figure 8-3	Diode Characterization Test Configuration	8-4
Figure 8-4	Program 23 Test Connections	8-4
Figure 8-5	Example Program 23 Plot	8-5
Figure 8-6	Program 23 Flowchart	8-5
Figure 8-7	Test Configuration for Common-emitter Tests	8-10
Figure 8-8	Program 24 Test Connections	8-11
Figure 8-9	Example Plot for Test Program 24	8-11
Figure 8-10	Program 24 Flowchart	8-12
Figure 8-11	Test Configuration for Self-Bias Threshold Tests	8-16
Figure 8-1	Typical Program 25 Results	8-17
Figure 8-13.	Program 25 Flowchart	8-18
Figure 8-14	Program 26 Example Plot	8-19

## APPENDIX A — Converting Applications Programs to QuickBASIC

Figure A-1	Example Test Plot Using HPGL Plotter (from Program A-1)	A-12
Figure A-2	I <sub>CEO</sub> Test Plot Using Graphics Dump to Printer (from Program A-2)	A-13
Figure A-3	Common-emitter Characteristic Plot Using Graphics Dump to Printer (from Program A-3)	A-14
Figure A-4	Common-source Characteristic Plot Using Graphics Dump to Printer (from Program A-4)	A-15
Figure A-5	Threshold Test Plot Using Graphics Dump to Printer (from Program A-5)	A-16
Figure A-6	Gummel Plot Using Graphics Dump to Printer (from Program A-6)	A-17

# List of Tables

---

Table 1-1	Example Program Summary .....	1-3
-----------	-------------------------------	-----

# SECTION 1

## General Information

---

### 1.1 INTRODUCTION

The following paragraphs discuss the overall hardware and software configuration of the system necessary to run the example applications programs in this manual.

### 1.2 HARDWARE CONFIGURATION

#### 1.2.1 System Configuration

Figure 1-1 shows the overall hardware configuration of a typical Source Measure Unit test system. The various components in the system perform the following functions:

**Model 236/237 Source Measure Units:** Each Model 236/237 Source Measure Unit can source voltage and simultaneously measure current, or source current and simultaneously measure voltage. One unit is necessary to run two-terminal device tests, while two units are required to run the bipolar transistor and FET tests. If programmable substrate bias is required, a third Source Measure Unit or a programmable voltage source will be necessary.

**Model 8006 Test Fixture:** The test fixture is the interface between the DUT (device under test). The Model 8006 includes sockets for axial-component, TO package, and 24-pin DIP package devices.

**Computer:** A Hewlett-Packard 9000 Series 200 or 300 computer equipped with an HP-IB interface controls the test system. An HP BASIC language processor card, installed in an IBM-PC, AT or compatible computer, can also be used.

**Connecting Cables:** Model 7078-TRX-3 triax cables are recommended for making connections between the Source Measure Units and the test fixture. In addition, IEEE-488 cables will be necessary to connect the Source Measure Units to the IEEE-488 (HP-IB) bus of the com-

puter. Shielded IEEE-488 cables such as the Model 7007 are recommended for this application.

#### 1.2.2 Remote/Local Sensing Considerations

In order to simplify test connections, most applications in this manual use local sensing for the Source Measure Units. Local sensing requires connecting only two cables between the Source Measure Units and the test fixture (OUTPUT HI and OUTPUT LO). Also, the appropriate jumpers between the test fixture signal panel and the component test module must be installed.

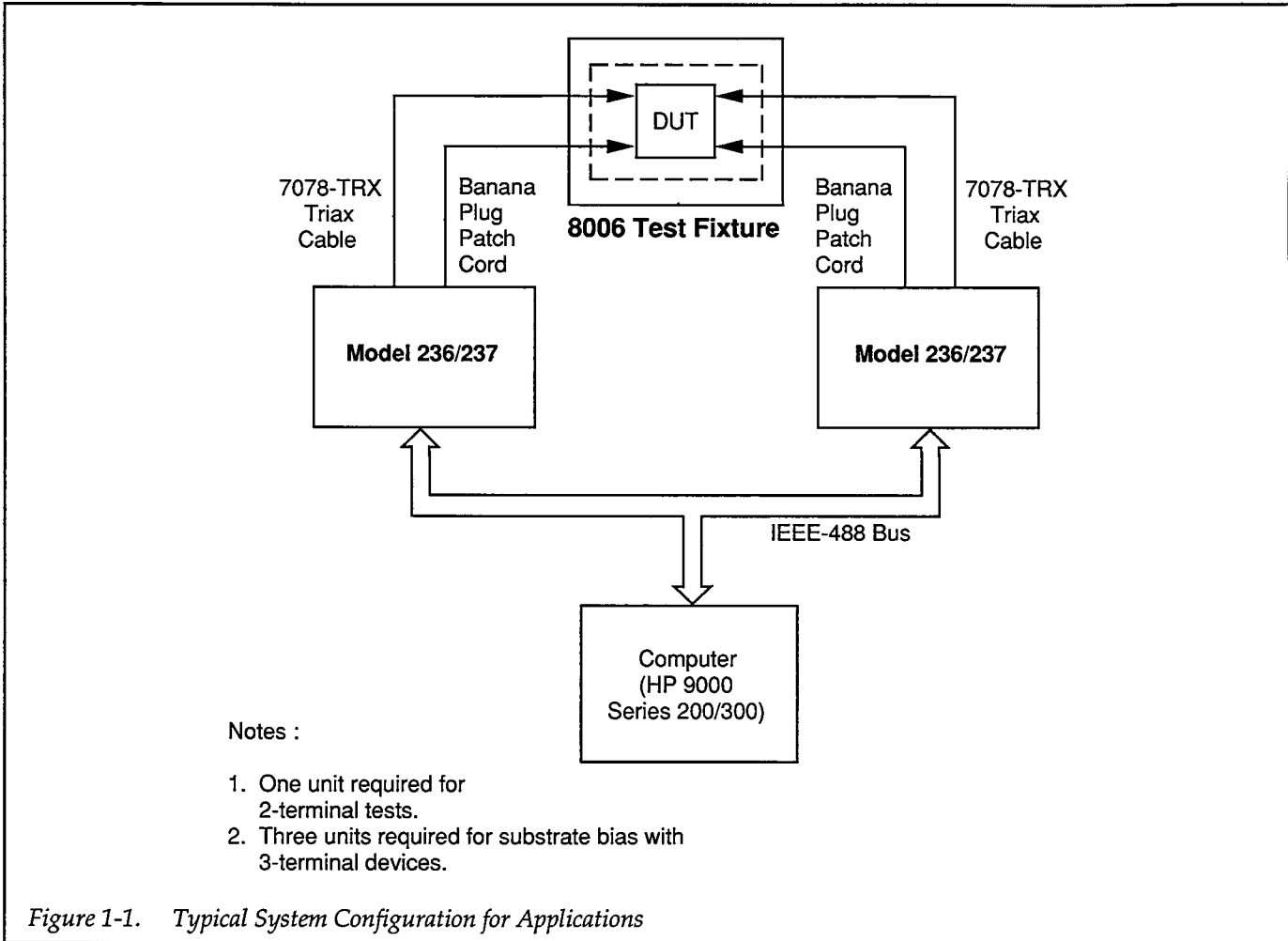
To optimize accuracy, you should use remote sensing in any of the applications (remote sensing is recommended for optimum accuracy with currents above 1mA). To use remote sensing, connect SENSE HI and SENSE LO to the test fixture, and add the necessary jumpers to the DUT. With this configuration, SENSE HI appears on the center conductor of the corresponding triax cable, and SENSE LO appears on the center conductor of the OUTPUT/SENSE LO triax cable. See Section 2 of the Model 236/237 Operator's Manual for complete details on test connections.

#### WARNING

**When a Model 236/237 is programmed for remote sensing, hazardous voltage may be present on the SENSE and OUTPUT terminals when the unit is in operate regardless of the programmed voltage or current. To avoid a possible shock hazard, always turn off all power before connecting or disconnecting cables to the Source Measure Unit or the associated test fixture.**

In addition to the different connecting scheme, you must modify the corresponding program by changing the "O0X" command string (local sensing) to "O1X" (local sensing). For example, the command string,

OUTPUT 716; "O0X"      ! Local sensing



should be changed to:

OUTPUT 716; "O1X" ! Remote sensing

## 1.3 SOFTWARE CONFIGURATION

### 1.3.1 Programming Language

All the programming examples in this manual are written in Hewlett-Packard BASIC 4.0 (upward-compatible versions such as BASIC 5.0 or 5.1 can also be used). This programming language was chosen for these examples for two reasons: (1) its easy-to-understand syntax, and (2) its versatility in controlling the IEEE-488 bus. In addition to BASIC, you must have the proper binaries (including graphics binaries) loaded into the computer. See the computer documentation for complete details.


### 1.3.2 Example Programs

Table 1-1 summarizes the example programs included in this manual. Note that recommended devices are also summarized in this table. Program modification will probably be required for devices with different characteristics.

Keep in mind that these example programs are presented only as examples, and they may not suit your particular applications. Also, a limited amount of error checking is incorporated into the programs, so care should be taken not to damage any device being tested. However, hopefully many of these example programs will serve as a base or model toward other more complex, applications-specific programs.

#### WARNING

Modifying the example programs to allow voltages greater than  $\pm 42V$  may create a

shock hazard. Connect interlock circuits before use, and connect the fixture  screw to safety earth ground using #18 AWG minimum wire before using the programs.

### 1.3.3 Graphics Routines

Graphics routines incorporated into many of the programs will plot simple graphs on the computer screen. You can modify the program to generate hard copy graphs on an HPGL plotter instead by changing the PLOTTER IS CRT, "INTERNAL" statement to read PLOTTER IS 705,"HPGL". Those with a bit-mapped graphics compatible printer can also dump graphics plots to the printer by using the DUMP GRAPHICS command, or use the corresponding computer key on those keyboards so equipped.

Those who wish to run these programs but do not want to bother typing them in may obtain a diskette from the Keithley Instruments, Inc. Applications Department.

**Table 1-1. Example Program Summary**

Program #	Description	Recommended Device*	Paragraph
1	Voltage coefficient	10G $\Omega$ -100G $\Omega$	2.4
2	Capacitor leakage	0.01-1 $\mu$ F	2.5
3**	Diode V <sub>F</sub> vs. I	1N4148	2.6
4**	I <sub>C</sub> vs. V <sub>CE</sub> @ I <sub>B</sub>	2N5089 NPN	3.4
5**	Gummel plot	2N5089 NPN	3.5
6A/6B	Dc current gain	2N5089 NPN	3.6
7	Differential gain	2N5089 NPN	3.6
8**	Transistor I <sub>CEO</sub>	2N3904 NPN	3.7
9**	I <sub>D</sub> vs. V <sub>DS</sub> @ V <sub>GS</sub>	2N4392 JFET	4.4
10	g <sub>fs</sub> vs. V <sub>GS</sub>	2N4392 JFET	4.5
11	g <sub>fs</sub> vs. I <sub>D</sub>	2N4392 JFET	4.5
12A/12B**	Threshold voltage, V <sub>T</sub>	User defined	4.6
13	I <sub>SB</sub> vs. V <sub>GS</sub>	TG-51	5.4
14	Unit substrate bias	User defined	5.4
15	V source substrate bias (FET)	User defined	5.5
16	V source bias (bipolar)	User defined	5.5
17	Unit/current source	2N5089 NPN	6.2
18	Unit/electrometer	2N4392 JFET	6.3
19	Power transistors	MJE240	6.4
20	Scanner/Unit, multiple DUTs	2N5089 NPN	7.2
21	Resistivity using matrix	User defined	7.3
22	Unit/matrix switching system	User defined	7.4
23	Diode Test, Binary Transfer	1N4148	8.3
24	Common-emitter, Binary Transfer	2N5089	8.4
25	Self-bias threshold with plotting	Enhancement/depletion FET	8.5
26	Log sweep threshold with plotting	Enhancement/depletion FET	8.5

\* Devices recommended for use with example programs as written. Program modification may be required for use with DUTs having different characteristics.

\*\* IBM-PC/QuickBASIC versions of these programs are discussed in Appendix A.



### 1.3.4 Factory Initialization

As written, the example programs assume that each Source Measure Unit is configured for factory initialization parameters. To ensure that these programs run properly, it may be necessary to return each Source Measure Unit to the factory initialized conditions. To do so from the front panel, use the MENU button to SELECT FACTORY INIT. You can also modify each program to send a "J0X" command to each instrument at run time. This command should be placed immediately after the instrument is placed in remote, but before the unit is programmed for any other operating modes. An initialization command should be sent separately to each instrument. An example of a partial listing is shown below.

```

30  ...
30  REMOTE 716          ! Put Unit #1 in remote
35  OUTPUT 716;"J0X"   ! Return Unit #1 to fac-
                          tory init.
40  OUTPUT 716;"F0,0X" ! Source V, DC mode.
100 REMOTE 717         ! Put Unit #2 in remote.
105 OUTPUT 717;"J0X"   ! Return Unit #2 to fac-
                          tory init.
110 OUTPUT 717;"F1,1X" ! Source I, sweep mode.
    ...

```

### 1.3.5 General Programming Considerations

The following paragraphs outline a number of factors to consider when using the example programs or when writing your own programs to perform various tests.

#### Ranging

When using autoranging measure with sweeps, it is better to program a sweep that will result in down-range changes because up-ranging causes the instrument to first go into compliance and then work its way down. Programming sweeps in this manner will result in faster sweeps, all other factors being equal. Some types of tests, however, may be subject to hysteresis and should be programmed to go only in one direction.

For a similar reason, the measurement range of a Source Measure Unit that is used only as a source should be programmed for a suitable fixed range to avoid autoranging that could slow down the overall measurement.

#### One-shot Triggering

When a Model 236/237 is in a one-shot trigger mode, it will not return to the bias value after a sweep until it receives another trigger stimulus. Most of the example programs do not include this trigger, so you might wish to add a line to the programs to do so. For example, if a unit is programmed for trigger on GET, the following typical programming line could be added to return the instrument to the bias condition:

```
455  TRIGGER 716
```

#### Line Cycle Integration

Many examples program the units for line cycle integration using the "S2" command, which assumes that the instrument is being used on a 60Hz power line frequency. Those who are using the units on 50Hz should change any "S2" commands to "S3", which will correctly program the instrument for 50Hz line cycle integration.

#### When Is My Sweep Finished?

The best way to determine when a sweep is done is to program the instrument to generate an SRQ on sweep done, and then wait for the SRQ to occur. This is the method used by most of the example programs in this manual. Instead of using this method, you could also simply test the sweep done bit in the status byte by repeatedly serial polling the unit, as in the code fragment example below.

```

200  S = SPOLL (716)      ! Serial poll unit.
210  IF NOT BIT(S,1) THEN 200 ! Sweep done?

```

Note also that it is not necessary to wait for the sweep to finish before you begin requesting data. Simply begin asking for data immediately after triggering the sweep; each bit of data will be sent when it becomes available (Program 5, in fact, demonstrates this technique). Note, however, that you may run into a bus timeout error, depending on the programmed delay time and the controller you are using.

#### How Big is My Sweep?

In order to make each example program as simple as possible, the sweep size and thus the data arrays are fixed. In a practical test program, however, you probably will want the capability of automatically sizing your sweeps. This can be done with the help of the U8 command,

which returns the number of source points in the sweep. The returned value could then be used to dimension any arrays and to size loop counters. The example code fragment below shows how to obtain the sweep size status word from the instrument.

```

300  OUTPUT 716;"U8X"      ! Request status
                                word.
310  ENTER 716;A$          ! Input status word.
320  N=VAL(A$[4, 7])       ! Convert to nu-
                                meric.

```

### **Bias Value Programming with Sweeps**

The bias value appears at the output both prior to and after a sweep. In order to ensure that your DUT is properly biased before and after a sweep, you may wish to add a bias voltage programming command to certain programs. For example, assume that you wish to add a 0V bias programming command to one of the programs. The following syntax would be used:

```

120  OUTPUT 716;"B0, 0, 0X" ! Program 0V bias,
                                autorange, 0 delay

```

# SECTION 2

## Two-terminal Device Tests

---

### 2.1 INTRODUCTION


Two-terminal device tests discussed in this section include: voltage coefficient tests on resistors, leakage tests on capacitors, and diode characterization.

### 2.2 INSTRUMENT CONNECTIONS

Figure 2-1 shows the instrument connections for two-terminal device tests. Note that only one Source Measure Unit is required for these applications. Model 7078-TRX-3 triax cables are used to make triax connections, while banana plug patch cords can be used for binding post connections.

#### WARNING

Lethal voltages may be present when the test fixture lid is open. To avoid a possible shock hazard, the safety interlock circuit must be connected before use as shown in Figure 2-1.

Also, connect the test fixture  screw to safety earth ground using #18 AWG wire minimum before use. Turn off all power before connecting or disconnecting wires or cables.

#### NOTES

1. Remote sensing connections are recommended for optimum accuracy. See paragraph 1.2.1 for details.

2. If measurement noise is a problem, or for critical, low-level applications, use shielded cable for all signal connections.
3. When using the Model 8002A, place the Picoammeter/Source-Measure switch in the Source-Measure position.

### 2.3 JUMPER INSTALLATION

In order to complete connections to the device under test, Model 8006 Test Fixture jumpers must be installed, as shown in Figure 2-2. Note that local sensing is used in these applications, so one set of jumpers to the device socket is necessary.

### 2.4 VOLTAGE COEFFICIENT TESTS OF RESISTORS

Resistors often show a change in resistance with applied voltage with high-megohm resistors ( $>10^9\Omega$ ) showing the most pronounced effects. This change in resistance can be characterized as the voltage coefficient. The following paragraphs discuss voltage coefficient tests using a Model 236/237 Source Measure Unit.

#### 2.4.1 Test Configuration

The test configuration for voltage coefficient measurements is shown in Figure 2-3. The Source Measure Unit sources the voltage across the resistor under test, and the picoammeter section measures the resulting current through the resistor.

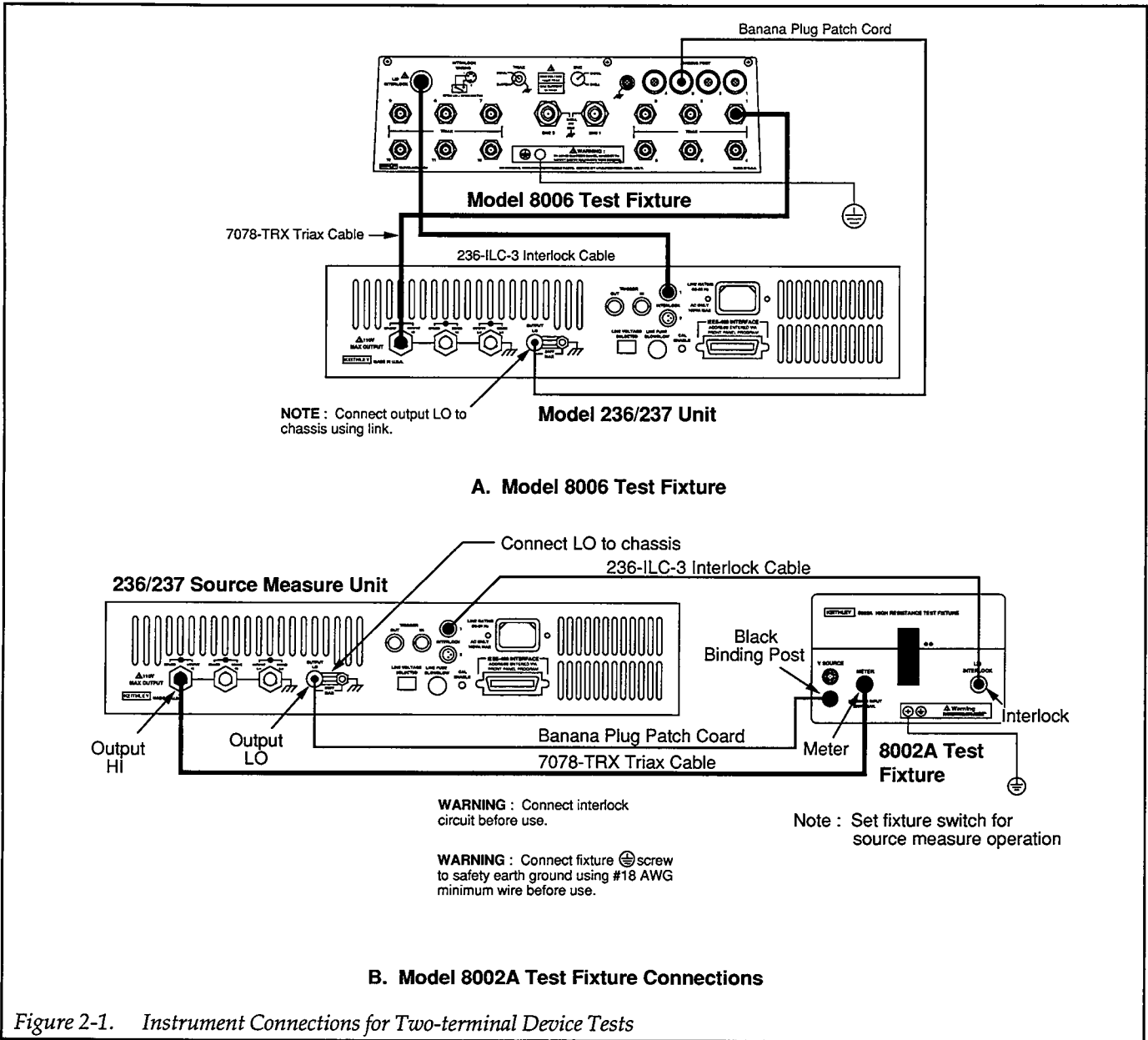
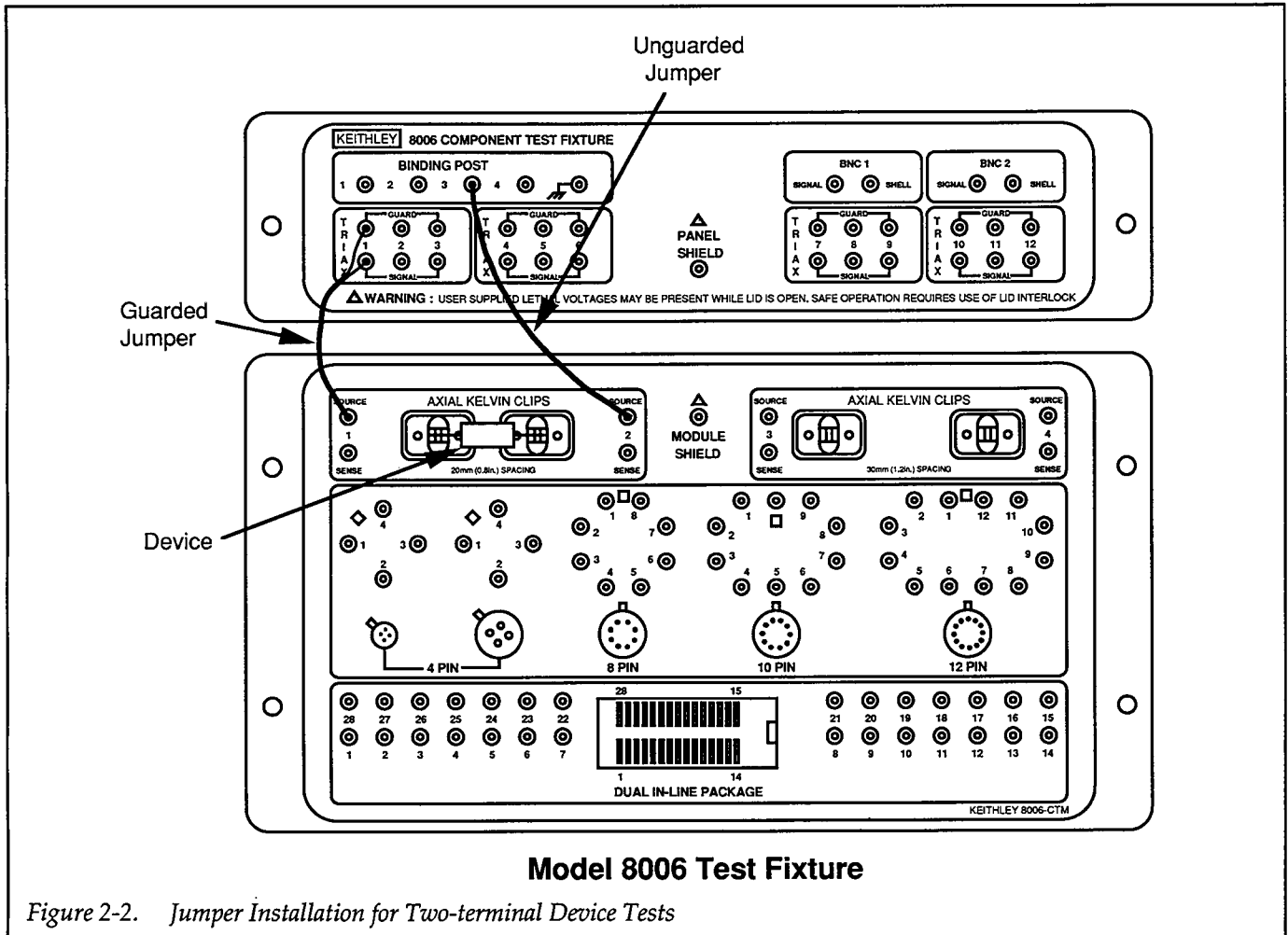


Figure 2-1. Instrument Connections for Two-terminal Device Tests



**Model 8006 Test Fixture**

Figure 2-2. Jumper Installation for Two-terminal Device Tests

## 2.4.2 Voltage Coefficient Calculations

Two different current readings at two different voltage values are required to calculate the voltage coefficient. Two resistance readings,  $R_1$  and  $R_2$ , are then obtained, and the voltage coefficient in %/V can then be calculated as follows:

$$\text{Voltage Coefficient (\% /V)} = \frac{100 (R_2 - R_1)}{R_1 (V_2 - V_1)}$$

Where:  $R_1$  = resistance calculated with first applied voltage ( $V_1$ ).  
 $R_2$  = resistance calculated with second applied voltage ( $V_2$ ).

For example, assume that the following values are obtained:

$$\begin{aligned} R_1 &= 1.01 \times 10^{10} \Omega \\ R_2 &= 1. \times 10^{10} \Omega \\ (V_2 - V_1) &= 10V \end{aligned}$$

The voltage coefficient is:

$$\text{Voltage Coefficient (\% /V)} = \frac{100 (1 \times 10^8)}{1 \times 10^{10} (10)} = 0.1\% /V$$

## 2.4.3 Measurement Considerations

A couple of points should be noted when using this procedure to determine the voltage coefficient of high-megohm resistors. Keep in mind that any leakage resistance in the test system will degrade the accuracy of your measurements. To avoid such problems, use only a high-quality test fixture such as the Model 8002A or 8006. Also, make certain that the test fixture sockets are kept clean and free of contamination.

In addition, there is an upper limit on the resistance value that can be measured using this test configuration. For one thing, the test fixture has a finite (although very high) path isolation value. Secondly, the maximum resistance is determined by the test voltage and current-measurement resolution of the test instrument. Finally, the instrument has a typical output impedance of  $10^{15}\Omega$ . To maximize measurement accuracy with a given resistor, use the highest test voltages possible.

## 2.4.4 Example Program 1: Voltage Coefficient Test

Program 1 below demonstrates programming techniques for voltage coefficient tests. Follow the steps below to use the test program.

1. With the power off, connect the Model 236 to the IEEE-488 interface of the computer.
2. Connect the test fixture to the Source Measure Unit using appropriate cables (see Figure 2-1).
3. Turn on the Model 236, and allow the unit to warm up for two hours for rated accuracy. Make sure the primary address of the unit is set to 16.
4. Turn on the computer, and boot up BASIC.

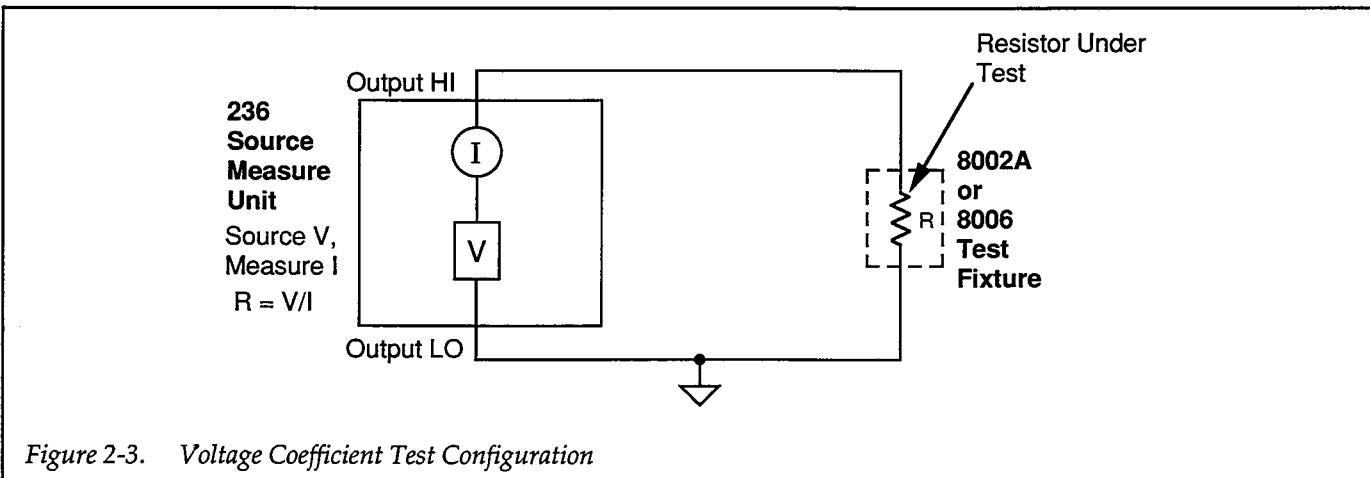


Figure 2-3. Voltage Coefficient Test Configuration

5. Enter the lines below into the computer.
6. Install the resistor being tested in the appropriate axial component socket of the test fixture, then close the test fixture lid.
7. RUN the program, then enter the required values when prompted to do so. You will be prompted to input two voltage values and a delay value. The two voltage values are the test voltages, and the delay value is the time between source on and measure.
8. The computer will then program the unit and measure the currents through the resistor. The calculated voltage coefficient and two resistance values will then be displayed on the CRT. If the unit is over compliance, or if the test fixture lid is open, an error message will be displayed.

- Line cycle integration, 32 reading filter (to minimize noise)

### 2.4.5 Typical Program 1 Results

The actual voltage coefficient you obtain using the program will, of course, depend on the resistor being tested. Typical voltage coefficient obtained for a 10GΩ resistor (Keithley part number R-319-10G) was about 8ppm/V (.008%/V).

### 2.4.6 Program 1 Description

For the following description, refer to the program below and the program flowchart, which is shown in Figure 2-4.

At the start of the program, a device clear is sent to the Source Measure Unit to return the unit to default state (line 20), and the unit is then placed in remote (line 30). After the screen is cleared (line 40), the Source Measure Unit is programmed as follows (lines 50-90):

- Source V, dc mode
- Local sense, trigger on GET
- 100mA compliance, autorange measure
- Data format to output measure data only with no prefix

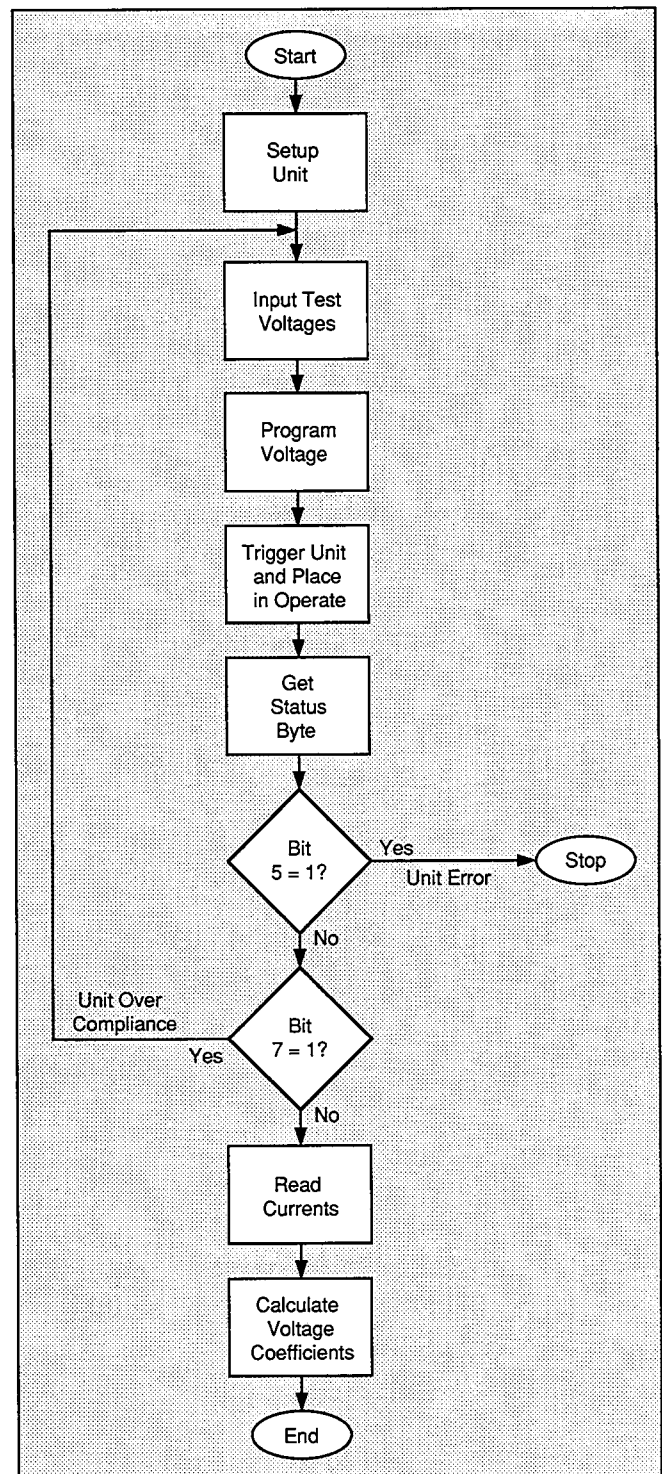


Figure 2-4. Program 1 Flowchart

After the unit is setup, the operator is then prompted to input the two test voltage values and the delay value (lines 90-150). Note that the voltage inputs are tested to verify that they are within the required 100V limits. After these inputs, the unit is programmed for the first source value (line 150), and the operator is then prompted to close the test fixture (line 160).

Once the operator signals to continue, the unit trigger is armed, and the unit is placed into operate (line 190). The status byte is then requested and checked to determine if the lid interlock is open (lines 210-250). If so, a message is displayed, and the program halts.

The unit is then triggered (lines 270). After the programmed delay period (line 280), the status byte is requested, and bit 7 of the status byte is checked (line 300) to determine if the unit is over compliance. If so, the program loops back to allow the operator to input different voltage source values.

Assuming that all goes well, a current reading is then requested from the unit (line 350), and the second voltage is programmed (line 360). The second current reading is then obtained (line 370), and the resistance values and voltage coefficient are then calculated and displayed (lines 390-440).



```

10  REM  RESISTOR VOLTAGE COEFFICIENT TEST PROGRAM REV. 1.3 (Program 1)
20  CLEAR 7                                ! Clear 236
21  DIM Err$(50)                            ! Dimension error string
30  REMOTE 716                              ! Put 236 in remote
40  OUTPUT KBD;CHR$(255);CHR$(75);         ! Clear screen
50  OUTPUT 716;"F0,0X"                      ! Source V, DC mode
60  OUTPUT 716;"00T1,0,0,0X"              ! Local sense, trigger on GET
70  OUTPUT 716;"L100E-3,0X"              ! 100mA compliance, autorange measure
80  OUTPUT 716;"64,2,0X"                  ! Output measure,no prefix,DC
90  OUTPUT 716;"S2PSM128,0X"              ! Line cycle, 32 reading filter,SRO
100 INPUT "Enter voltage V1 (0-100)",V1    ! Input first voltage
110 IF ABS(V1)>100 THEN 100                 ! Check V1 limits
120 INPUT "Enter voltage V2",V2           ! Input second voltage
130 IF ABS(V2)>100 THEN 120                ! Check V2 limits
140 INPUT "Enter source-measure delay (0-65000msec)",Dly ! Input delay
150 OUTPUT 716;"B";V1;"",0,"";Dly;"X"    ! Program source and delay
160 PRINT "Close test fixture lid then press CONT to begin test"
170 PAUSE
180 OUTPUT 716;"R1Z0X"                    ! Arm trigger,suppress off
190 OUTPUT 716;"N1X"                      ! Turn on 236 output
200 WAIT .1                                ! Wait 0.1sec
210 Stat=SPOLL(716)                        ! Serial poll 236
220 IF BIT(Stat,5) THEN                   ! Check for 236 error
230 PRINT "236/237 error"
240 BEEP
241 WAIT 2                                 ! Wait for error to clear
243 OUTPUT 716;"U1X"                      ! Request U1 word to clear error
244 ENTER 716;Err$                        ! Input error word
250 STOP
260 END IF
270 TRIGGER 716                            ! Trigger 236
280 WAIT Dly/1000+1                       ! Wait
290 Stat=SPOLL(716)                        ! Serial poll 236
300 IF BIT(Stat,7) THEN                   ! Check for over compliance
310 PRINT "236 over compliance"
320 BEEP
330 GOTO 100
340 END IF
350 ENTER 716;I1                           ! Get first current reading
360 OUTPUT 716;"B";V2;"",0,"";Dly;"X"    ! Program V2 Voltage
370 ENTER 716;I2                           ! Get second current reading
380 OUTPUT 716;"N0X"                      ! Turn off 236 output
390 R1=V1/I1                               ! Compute R1
400 R2=V2/I2                               ! Compute R2
410 Coeff=100*(R2-R1)/(R1*(V2-V1))        ! Compute voltage coefficient
420 PRINT "COEFFICIENT=";Coeff;"%/V"      ! Display voltage coefficient
430 PRINT "RESISTANCE R1=";R1             ! Display resistance values
440 PRINT "RESISTANCE R2=";R2
450 END

```

## 2.5 CAPACITOR LEAKAGE TEST

One important parameter associated with capacitors is leakage current. Once the leakage current is known, the insulation resistance can be easily calculated. The amount of leakage current in a capacitor depends both on the type of dielectric as well as the applied voltage. With a test voltage of 100V, for example, ceramic dielectric capacitors have typical leakage currents in the nA to pA range, while polystyrene and polyester dielectric capacitors exhibit a much lower leakage current—typically in the fA ( $10^{-15}$ A) range

### 2.5.1 Test Configuration

Figure 2-5 shows the test configuration for the capacitor leakage test. The Model 236/237 Source Measure Unit sources the test voltage across the capacitor, and it measures the resulting leakage current through the device. The resistor, R, is included for current limiting, and it also helps to reduce noise. A typical value for R is  $1\text{M}\Omega$ , although that value can be decreased for larger capacitor values. Note, however, that values under  $10\text{k}\Omega$  are not recommended.

### 2.5.2 Leakage Resistance Calculations

Once the leakage current is known, the leakage resistance can easily be calculated from the applied voltage and leakage current value as follows:

$$R = V/I$$

For example, assume that you measured a leakage current of  $25\text{nA}$  with a test voltage of  $100\text{V}$ . The leakage resistance is simply:

$$R = 100/25\text{nA} = 4\text{G}\Omega \quad (4 \times 10^9\Omega)$$

### 2.5.3 Measurement Considerations

After the voltage is applied to the capacitor, the device must be allowed to charge fully before the current measurement can be made. Otherwise, an erroneous current, with a much higher value, will be measured. The time period during which the capacitor charges is often termed the “soak” time. A typical soak time is seven time constants, or  $7RC$ , which would allow settling to less than 0.1% of final value. For example, if R is  $1\text{M}\Omega$ , and C is  $1\mu\text{F}$ , the recommended soak time is seven seconds. With small leakage currents ( $<1\text{nA}$ ), it may be necessary to use a fixed measurement range instead of autoranging.

### 2.5.4 Example Test Program 2: Capacitor Leakage Test

Program 2 below performs the capacitor leakage test described above. Follow the steps below to run the test using this program.

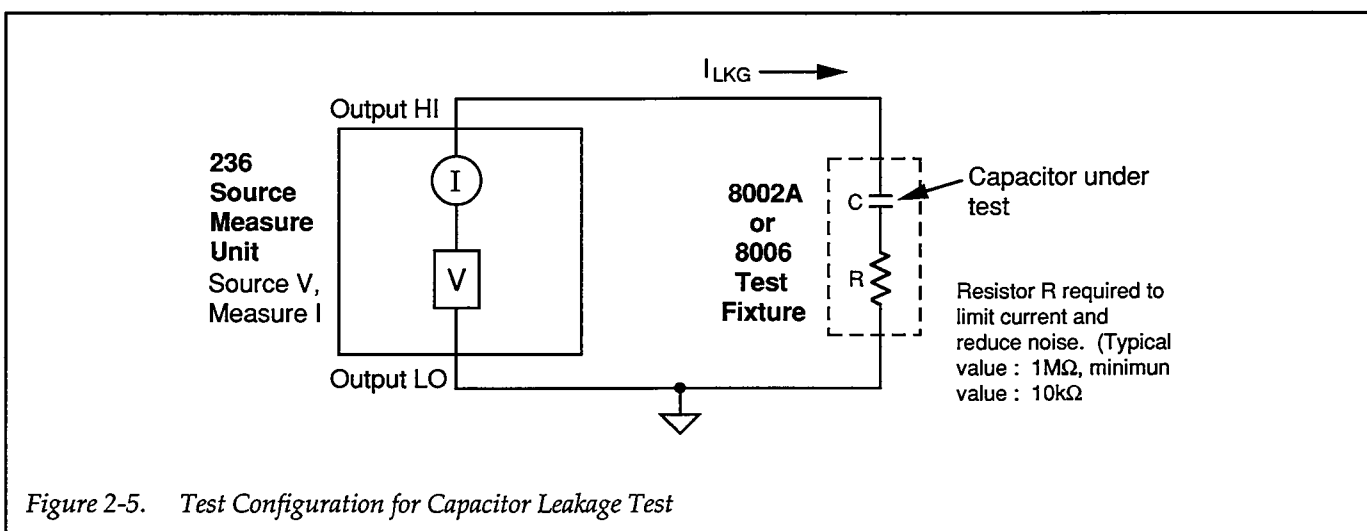


Figure 2-5. Test Configuration for Capacitor Leakage Test

**WARNING**

Hazardous voltage may be present on the capacitor leads after running this test. Discharge the capacitor before removing it from the test fixture.

1. With the power off, connect the Model 236 to the IEEE-488 interface of the computer.
2. Connect the test fixture to the Source Measure Unit using appropriate cables (see Figure 2-1).
3. Turn on the Model 236, and allow the unit to warm up for two hours for rated accuracy. Make sure the primary address of the unit is set to 16.
4. Turn on the computer, and boot up BASIC.
5. Enter the lines below into the computer.
6. Discharge and install the capacitor being tested along with the series resistor in the appropriate axial component sockets of the test fixture. Install the necessary jumpers, then close the test fixture lid.

**NOTE**

The capacitor should be fully discharged before running the test.

7. RUN the program, then enter the required values when prompted to do so. You will be prompted to input the test voltage and soak time values. When entering the soak time, choose a value of at least  $7RC$  to allow settling to within 0.1% of final value. At very low currents ( $<500\text{fA}$ ), a longer settling time may be required to compensate for dielectric absorption, especially at high voltages.
8. The computer will then program the unit and then wait the programmed soak time as a delay time for settling. After settling, any offset current will be suppressed, and the Model 236 will be programmed for the test voltage value. After the soak time has passed, the computer will measure the leakage current, and then display the leakage current and calculate and display the leakage resistance. If the unit is over compliance, or if the test fixture lid is open, an error message will be displayed.

**2.5.5 Typical Program 2 Results**

As pointed out earlier, the exact value of leakage current will depend on the capacitor value as well as the dielectric. A typical value obtained for a  $1\mu\text{F}$  aluminum electrolytic capacitor was about  $80\text{nA}$  at  $25\text{V}$ .

**2.5.6 Program 2 Description**

Refer to the program listing below and the flowchart in Figure 2-6 for the following program description,

After the unit is cleared and placed in remote (lines 20 and 30), the unit is programmed as follows (lines 50-90):

- Source V, dc mode
- Local sense, trigger on GET, continuous
- $10\text{mA}$  compliance, autorange measure
- Measure only data format, no prefix, dc data
- Line cycle integration, 32-reading filter (to minimize noise)

After initial setup of the Model 236, the operator is then prompted to input the desired test voltage (line 100) and the voltage limit is checked (line 110). Next, the desired settling/soak time is requested, and the operator is prompted for a signal to begin the test (lines 120-140); and the output is programmed to  $0\text{V}$  (line 150). After the operator signal, the trigger is armed, and the unit is placed in operate (lines 160 and 170). The status byte is then requested after a  $0.1\text{sec}$  delay period (lines 180 and 190), and the byte is checked to see if the test fixture lid is open (lines 200-240). If the lid is open, a message to that effect is displayed, and the program halts.

The unit is then triggered (line 250), and the computer then waits the programmed delay time to allow the circuit to settle (line 260). Suppress is then enabled to zero out any offset current in the test system (line 280). The computer then programs the test voltage and then waits the programmed soak time to allow the capacitor to charge fully (lines 290 and 300). Once the soak time has elapsed, the status byte is obtained, and a check for an over-compliance condition is made (lines 350-360). If an over-compliance condition is noted (flagged by status byte bit 7), the program loops back to allow the operator to input a new voltage value.

If no errors occur, a current reading is requested from the unit (line 380), and the current and calculated leakage resistance are then displayed (lines 400 and 410).

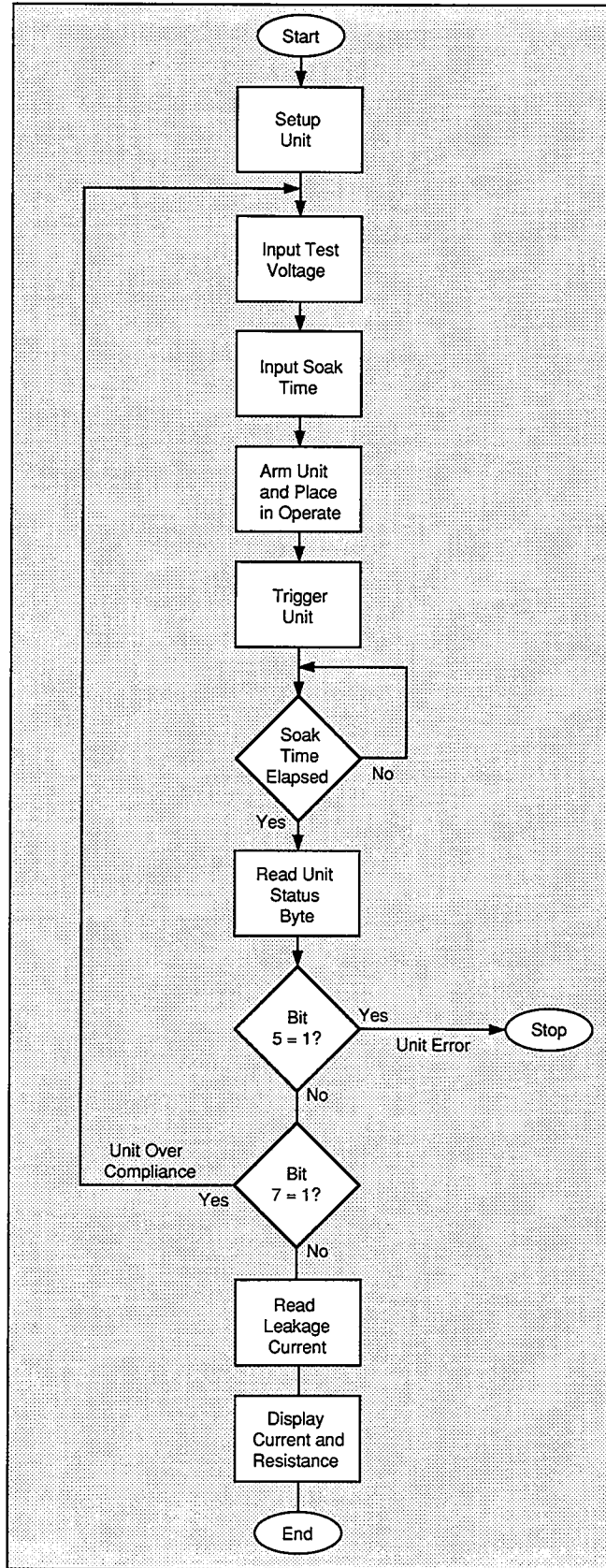


Figure 2-6. Program 2 Flowchart

```
10  REM  CAPACITOR LEAKAGE TEST PROGRAM REV. 1.3 (Program 2)
11  DIM Err$(50)                ! Dimension error string
20  CLEAR 7                      ! Clear 236
30  REMOTE 716                   ! Put 236 in remote
40  OUTPUT KBD;CHR$(255);CHR$(75); ! Clear screen
50  OUTPUT 716;"F0,0X"          ! Source V, DC mode
60  OUTPUT 716;"00T1,0,0,0X"    ! Local sense, trigger on GET
70  OUTPUT 716;"L10E-3,0X"      ! 10mA compliance, autorange measure
80  OUTPUT 716;"G4,2,0X"        ! Output measure,no prefix,DC
90  OUTPUT 716;"S2PSM128,0X"    ! Line cycle, 32 reading filter,SRQ
100 INPUT "Enter test voltage (0-100)",V ! Input test voltage
110 IF ABS(V)>100 THEN 100       ! Check V limits
120 INPUT "Enter settling and soak time (seconds)",W ! Input time
130 PRINT "Close test fixture lid then press CONT to begin test"
140 PAUSE
150 OUTPUT 716;"B0,0,0X"        ! Program 0V
160 OUTPUT 716;"R1Z0X"          ! Arm trigger,suppress off
170 OUTPUT 716;"N1X"           ! Turn on 236 output
180 WAIT .1                      ! Wait 0.1sec
190 Stat=SPOLL(716)              ! Serial poll 236
200 IF BIT(Stat,5) THEN         ! Check for 236 error
210 BEEP
220 PRINT "236/237 error"
221 WAIT 2                       ! Wait for error to clear
222 OUTPUT 716;"U1X"           ! Request U1 word to clear error
223 ENTER 716;Err$              ! Input error word
230 STOP
240 END IF
250 TRIGGER 716                  ! Trigger 236
260 PRINT "Waiting";W;"seconds for settling time"
270 WAIT W
280 OUTPUT 716;"Z1X"           ! Enable suppress
285 WAIT 2                       ! Wait for suppress
290 PRINT "Waiting";W;"seconds for soak time"
300 OUTPUT 716;"B";V;"",0,0X"   ! Program DC voltage
310 WAIT W+1                     ! Wait soak time
320 Stat=SPOLL(716)              ! Serial poll 236
330 IF BIT(Stat,7) THEN         ! Check for over compliance
340 PRINT "236 over compliance."
350 BEEP
360 GOTO 100
370 END IF
380 ENTER 716;I                  ! Get 236 current reading
390 OUTPUT 716;"N0X"           ! Turn off 236 output
400 PRINT "Leakage current=";I   ! Display leakage current
410 PRINT "Leakage resistance=";V/I ! Display leakage resistance
420 END
```

## 2.6 DIODE CHARACTERIZATION

The Model 236 is an ideal instrument to characterize diodes because it can source a current through the device, and measure the resulting forward voltage drop,  $V_F$ , across the device. The following paragraphs discuss the test configuration and give a sample test program for such tests.

### 2.6.1 Test Configuration

Figure 2-7 shows the test configuration for the diode characterization test. The Model 236 is used to source the forward current,  $I_F$ , through the diode under test, and it also measures the forward voltage,  $V_F$ , across the device.  $I_F$  is swept across the desired range of values, and  $V_F$  is measured at each current. Note that the same general configuration could be used to measure leakage current by reversing the diode, sourcing voltage, and measuring the leakage current.

### 2.6.2 Measurement Considerations

Since the voltages being measured will be fairly small ( $\approx 0.6V$ ), remote sensing can be used to minimize the effects of voltage drops across the test connections and in the test fixture. To use remote sensing with the Model 8006 install both sets of jumpers to the axial Kelvin socket to be used for the diode being tested, and modify the test program accordingly.

### 2.6.3 Example Program 3: Diode Characterization

Program 3 below demonstrates the basic programming techniques for running the diode characterization test. Follow the steps below to use this program.

1. With the power off, connect the Model 236 to the IEEE-488 interface of the computer.
2. Connect the test fixture to the unit using appropriate triax cables (see Figure 2-1).
3. Turn on the Model 236, and allow the unit to warm up for two hours for rated accuracy. Make sure the primary address of the unit is set to 16.
4. Turn on the computer, and boot up BASIC.
5. Enter the lines below into the computer.
6. Install a small-signal silicon diode such as a 1N914 or 1N4148 in the appropriate axial socket of the test fixture. Be certain that the jumpers are properly installed, then close the test fixture lid.
7. RUN the program in the usual manner. The computer will program the Source Measure Unit and run the diode test using currents between  $0\mu A$  and  $100\mu A$  in  $1\mu A$  increments using a fixed delay of 10msec.
8. Once the sweep has been completed, you will be prompted to press CONT to generate a plot of the data. A simple  $V_F$  vs.  $I_F$  plot will then be displayed on the computer CRT.
9. To return to BASIC from the graph, press CONT.

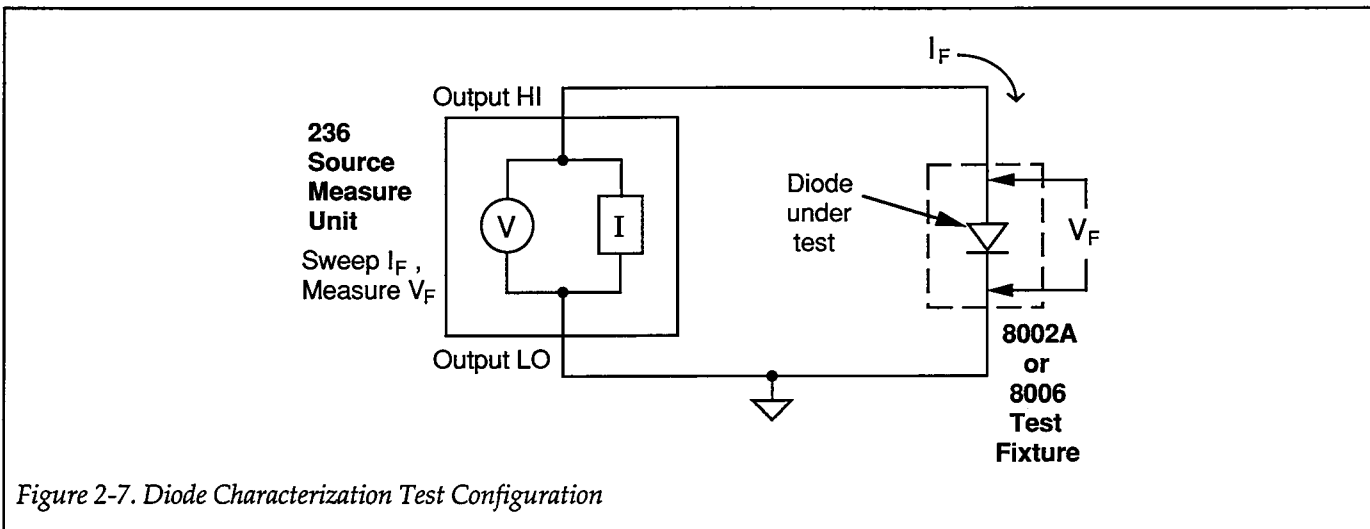
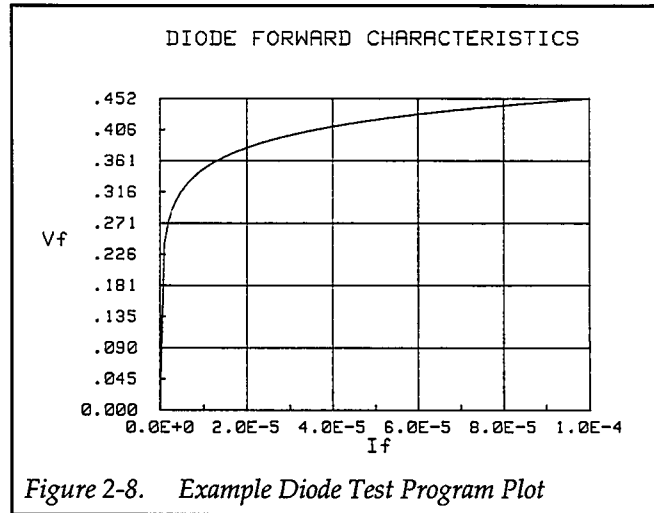


Figure 2-7. Diode Characterization Test Configuration

### 2.6.4 Typical Program 3 Results

Figure 2-8 shows typical results obtained using example Program 3. These results are for a 1N914 silicon diode.



### 2.6.5 Program 3 Description

For the following description, refer to the program listing and the flowchart shown in Figure 2-9.

Initially, the OPTION BASE statement is used to declare that all array subscripts begin with 1 rather than 0 (line 20), and the reading array is then dimensioned for 101 points with two readings each (line 30). Next, the unit is cleared and placed in remote (lines 40 and 50), and the instrument is initialized as follows (lines 70-160):

- Source I, sweep mode
- Local sense, continuous trigger on GET
- 10V compliance, autorange measure
- Source and measure data format with no prefix and sweep data output
- SRQ on sweep done
- Suppress on (nulls offsets)
- Istart: 0 $\mu$ A
- Istop: 100 $\mu$ A
- Istep: 1 $\mu$ A

After setup, the sweep is then programmed (line 170), and the operator is prompted to signal the start of the test (lines 180 and 190). Following the operator signal, the trigger is armed (line 200), and the unit is placed into operate and triggered (lines 210 and 220). Following the

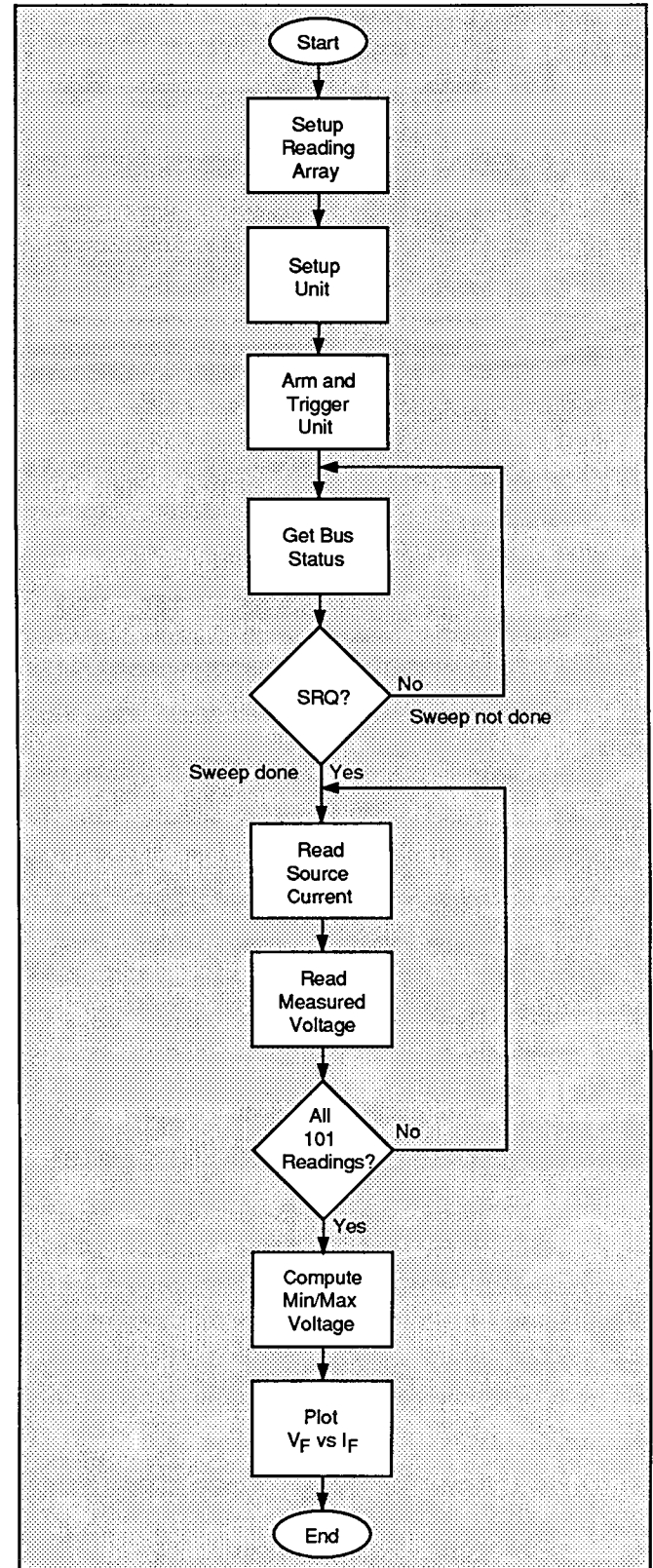


Figure 2-9. Program 3 Flowchart

trigger, the program enters a loop where it continuously checks the SRQ line on the bus to determine when the sweep is finished (lines 240 and 250).

When the unit finishes the sweep, it sets the SRQ line true, and the program falls out of the loop. The status byte is then read (line 260) to clear the SRQ, and the unit is placed in standby (line 270). Next, all 101 data points are requested from the computer (lines 280-300). Here, the source value, which is the forward current, is placed in element (I,1) of the reading array, and the measured voltage is placed in element (I,2) of the reading array. The minimum and maximum measured voltage values are then found (lines 310-360); these values are used to scale the Y axis of the plot.

The graphics routines are located in lines 410-670 of the program. Most of these are self-explanatory, but a few of them require comment. Note that the soft clip limits are defined by the VIEWPORT statement (line 500), while the X,Y scaling is performed by the WINDOW statement (line 510). Note that X axis scaling is determined by the programmed start and stop currents (Istart and Istop), while the Y axis limits (Ymin and Ymax) are the values determined from the minimum and maximum measured voltages. Finally, plotting is performed by the PLOT statement (line 560), which plots the entire reading array with one statement, and the axes are numbered (lines 570-670).

### 2.6.6 Modifying Program 3

As written, the program sets up the Source Measure Unit to step the current from 0 $\mu$ A to 100 $\mu$ A in 1 $\mu$ A increments. For other values, you can simply change the Istart, Istop, and Istep values in lines 130-150 to the required values, or (better yet), incorporate INPUT statements to allow operator input of those values. It may also be necessary to change the source range value from 6 (100 $\mu$ A range) to accommodate different current parameters.

If you choose values that result in a sweep length other than 101 points, additional modifications to the program will be necessary. The DIM statement declaration (line 30) and loop counter values (lines 280 and 330) must agree with the number of points in the sweep.

### 2.6.7 Using Log Sweeps

With some devices, it may be desirable to use a log sweep because of the wide range of currents necessary to perform the test. Program 3, for example, can be modified for a log sweep of the diode current by changing the Q1 command in line 170 to Q2 with appropriate parameters. For example, assume that you wish to sweep from 1 $\mu$ A to 100mA using a log sweep, the program lines would be modified as follows:

```
130 Istart=1E-6           ! Define 1 $\mu$ A start current
140 Istop=100E-3         ! Define 100mA stop current
150 Points=1             ! Select 10 points per decade
170 OUTPUT 716;"Q2,";
    Istart;"",Istop;"";
    Points;"9,";Dly;"X"
```

Note that the start and stop currents are programmed just as before, although with a much wider range than would be practical with a linear sweep. With log sweep, however, the Points parameter, which defines the number of points per decade, replaces the Istep parameter that is used with the linear sweep. The source range is also changed to a value of 9 (100mA range).

### 2.6.8 Using Pulsed Sweeps

In some cases, it may be desirable to use a pulsed sweep to avoid device self-heating that could affect the test results. For example, Program 3 can be modified to use a staircase pulse sweep by substituting the Q4 command for the Q1 command along the correct parameters. For example, assume that you wish to step the current from 0 $\mu$ A to 100 $\mu$ A at 10 $\mu$ A increments with an on time of 10msec, and an off time of 90msec. The following lines would be added or substituted:

```
160 tON=10               ! Define 10msec on time.
165 tOFF=90              ! Define 90msec off time.
170 OUTPUT 716;"Q4,";
    Istart;"",Istop;"";
    Istep;"0,";tON;tOFF;
    "X"
```

The main difference between programming the standard staircase and pulsed staircase sweep is that on time and off time are substituted for the delay time.



```

10  REM DIODE CHARACTERIZATION TEST PROGRAM REV. 1.3 (Program 3)
20  OPTION BASE 1                               ! First array subscript is 1
30  DIM Reading(101,2)                          ! Dimension reading array (101 pts.)
40  CLEAR 7                                     ! Clear 236
50  REMOTE 716                                  ! Put 236 in remote
60  OUTPUT KBD;CHR$(255);CHR$(75);             ! Clear screen
70  OUTPUT 716;"F1,1X"                          ! Source I, sweep mode
80  OUTPUT 716;"00T1,0,0,0X"                   ! Local sense, trigger on GET
90  OUTPUT 716;"L10,0X"                        ! 10V compliance, autorange measure
100 OUTPUT 716;"G5,2,1X"                       ! Source,measure,no prefix,sweep data
110 OUTPUT 716;"M2,X"                          ! SRQ on sweep done
115 OUTPUT 716;"B0,0,0X"                       ! Program 0 bias value
120 OUTPUT 716;"Z1X"                           ! Enable suppress
130 Istart=0                                    ! Define 0uA start current
140 Istop=1.0E-4                                ! Define 100uA stop current
150 Istep=1.0E-6                                ! Define 1uA step current
160 Dly=10                                       ! Define 10msec delay value
170 OUTPUT 716;"Q1,";Istart;",";Istop;",";Istep;"0,";Dly;"X" ! Program sweep
180 PRINT "Close lid, press CONT to begin"
190 PAUSE                                       ! Wait to continue
200 OUTPUT 716;"R1X"                            ! Arm trigger
210 OUTPUT 716;"N1X"                            ! Turn on 236 output
220 TRIGGER 716                                 ! Trigger 236 to start sweep
230 PRINT "Waiting for sweep to end"
240 STATUS 7,7;Stat                            ! Get IEEE-488 bus status
250 IF NOT BIT(Stat,10) THEN 240                ! Wait for SRQ on sweep done
260 Stat=SPOLL(716)                             ! Serial poll 236 to clear SRQ
270 OUTPUT 716;"N0X"                           ! Turn off 236 output
280 FOR I=1 TO 101                             ! Loop for all readings
290 ENTER 716;Reading(I,1),Reading(I,2) ! Get 236 current and voltage readings
300 NEXT I                                       ! Loop back for next reading
310 Ymin=MAXREAL                                ! Find minimum and maximum voltage
320 Ymax=-MAXREAL
330 FOR I=1 TO 101
340 IF Reading(I,2)<Ymin THEN Ymin=Reading(I,2)
350 IF Reading(I,2)>Ymax THEN Ymax=Reading(I,2)
360 NEXT I
370 PRINT "Press CONT to display graph"
380 PRINT "Press CONT while in graph to return to BASIC"
390 PAUSE
400 OUTPUT KBD;CHR$(255);CHR$(75);             ! Clear CRT
410 GINIT                                       ! Initialize graphics
420 PLOTTER IS CRT,"INTERNAL"                  ! Define plot to CRT
430 GRAPHICS ON                               ! Turn on graphics
440 MOVE 30,95                                ! Title graph
450 LABEL "DIODE FORWARD CHARACTERISTICS"
460 MOVE 70,10                                ! Label X axis
470 LABEL "If"
480 MOVE 5,53                                 ! Label Y axis
490 LABEL "Vf"
500 VIEWPORT 30,120,20,85                    ! Define soft clip limits

```

**SECTION 2**  
*Two-terminal Device Tests*

---

```
510 WINDOW Istart,Istop,Ymin,Ymax      ! Scale graph
520 X1=(Istop-Istart)/10                ! Compute X axis increment
530 Y1=(Ymax-Ymin)/10                    ! Compute Y axis increment
540 GRID X1*2,Y1*2,Istart,Ymin          ! Draw grid
550 AXES X1,Y1,Istart,Ymin              ! Add some tick marks
560 PLOT Reading(*)                      ! Plot data
570 CSIZE 4                              ! Define character size
580 LORG 6                               ! Center characters
590 CLIP OFF                             ! Turn off soft clipping
600 FOR I=Istart TO Istop+.01*Istep STEP 2*X1 ! Number X axis
610 MOVE I,Ymin-(Y1/4)
620 LABEL USING "#,D.DESZ";I
630 NEXT I
640 FOR I=Ymin TO Ymax+.01*Y1 STEP Y1    ! Number Y axis
650 MOVE Istart-(1.3*X1),I+(.3*Y1)
660 LABEL USING "#,MDD.DDD";I
670 NEXT I
680 PAUSE
690 OUTPUT KBD;CHR$(255);CHR$(75);      ! Turn off alpha display
700 GRAPHICS OFF                          ! Turn off graphics display
710 END
```

# SECTION 3

## Bipolar Transistor Tests

### 3.1 INTRODUCTION

Bipolar transistor tests discussed in this section include: tests to generate common-emitter characteristic curves, Gummel plot, current gain, and transistor leakage tests.

one Source Measure Unit). In addition, the Model 8006 test fixture is recommended to make connections to the transistor under test.

### 3.2 INSTRUMENT CONNECTIONS

Model 7078-TRX-3 triax cables are recommended to make instrument-to-test fixture connections. In addition, the safety interlock connecting cables must be connected as shown.

Figure 3-1 shows the instrument connections for the bipolar transistor tests outlined in this section. Two Model 236/237 Source Measure Units are required for the tests (except for the leakage current test, which requires only

#### WARNING

Lethal voltages may be exposed when the test fixture lid is open. To avoid a possible

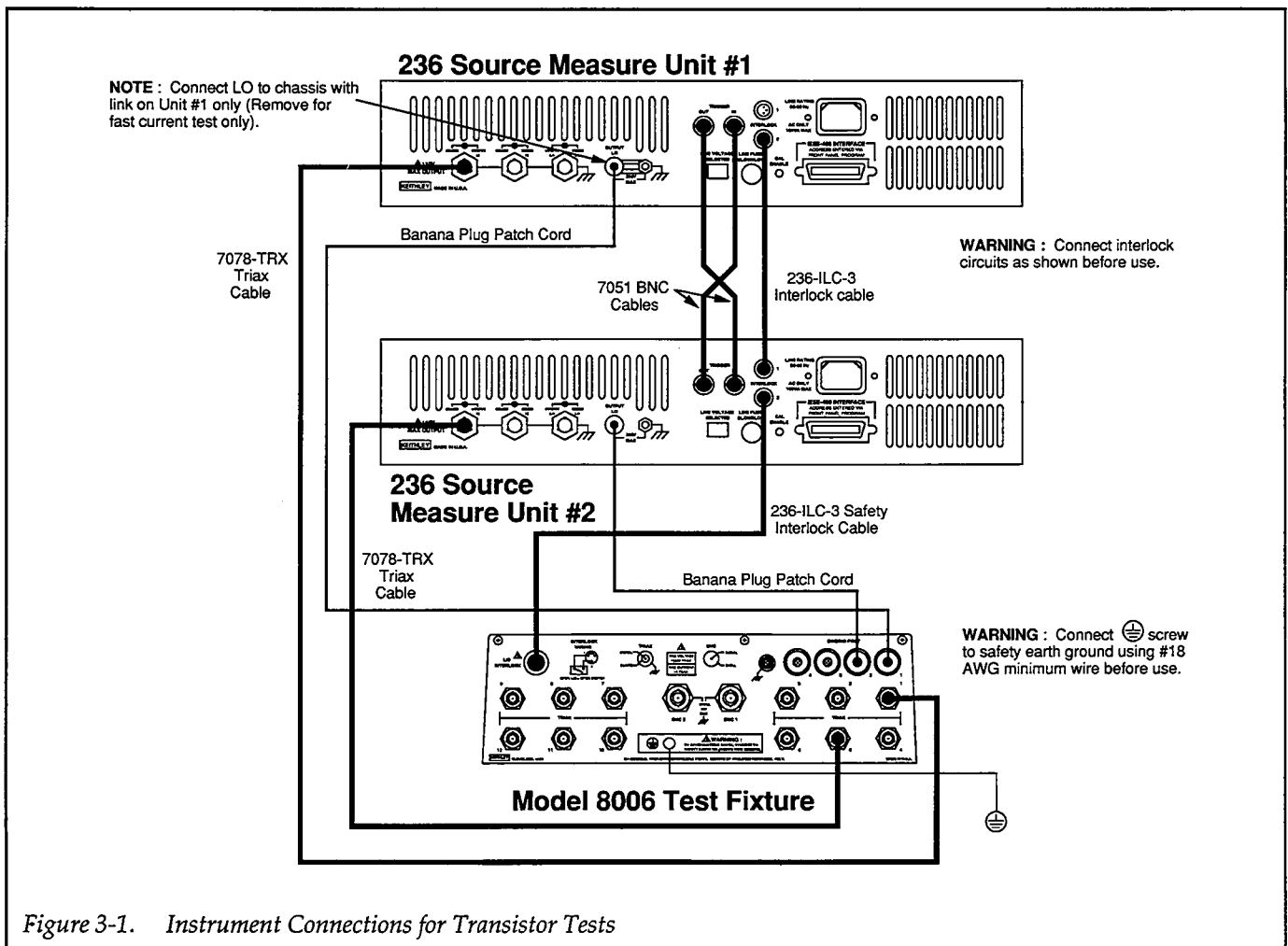



Figure 3-1. Instrument Connections for Transistor Tests

shock hazard, the safety interlock circuit must be connected as shown in Figure 3-1 before use. Connect fixture  screw to safety earth ground using #18 AWG minimum wire before use. Turn off all power before connecting or disconnecting wires or cables.

2. If measurement noise is a problem, or for critical, low-level applications, use shielded cable for all signal connections.
3. Most of the transistor test programs use external triggering. If the trigger jacks are not connected as shown, the programs will not function properly.

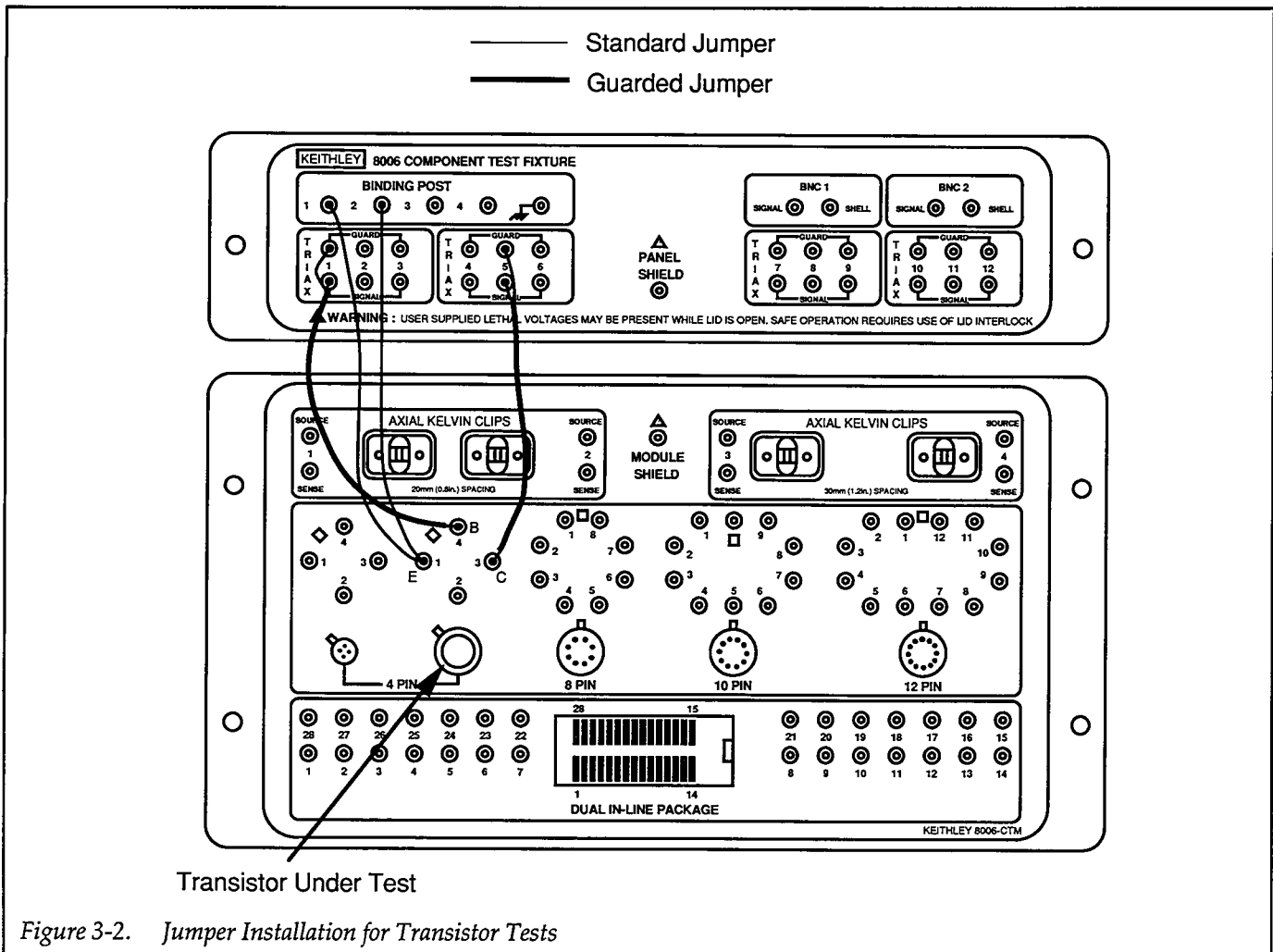
Two final connections that must be made are the Source Measure Unit trigger connections. Connect the TRIGGER OUT jack of Unit #1 to the TRIGGER IN jack of Unit #2, and connect the TRIGGER OUT jack of Unit #2 to the TRIGGER IN jack of Unit #1. Use standard BNC-to-BNC cables such as the Model 7051 to make these connections.

### 3.3 JUMPER INSTALLATION FOR TRANSISTOR TESTS

Figure 3-2 shows jumper installation for the transistor tests. The DUT itself should be placed in the appropriate four-terminal TO package socket, and the jumper connections should be made between the instrument panel jacks and the jacks on the component panel. Note that local sensing is used for most applications, so jumpers should be connected as shown.

#### NOTES

1. Remote sensing connections are recommended for optimum accuracy. See paragraph 1.2.2 for details.



### 3.4 COMMON-EMITTER CHARACTERISTICS

Common-emitter characteristics are probably the most familiar type of curves generated for bipolar transistors. Test data used to generate these curves is obtained by sweeping the base current,  $I_B$ , across the desired range of values at specific increments. At each base current value, the collector-emitter voltage,  $V_{CE}$ , is swept across the desired range, again at specific increments. At each  $V_{CE}$  value, the collector current,  $I_C$ , is measured.

Once the data are collected, a plot of  $I_C$  vs.  $V_{CE}$  is generated for each value of  $I_B$ . The result is a family of curves that shows how  $I_C$  varies with  $V_{CE}$  at specific  $I_B$  values.

#### 3.4.1 Test Configuration

Figure 3-3 shows the test configuration for the common-emitter characteristic tests. Unit #1 sweeps  $I_B$  across the desired range, and Unit #2 sweeps  $V_{CE}$  and measures  $I_C$ . Note that an NPN transistor is shown as part of the test configuration. A small-signal NPN transistor with an approximate current gain of 500 (such as a 2N5089) is recommended for use with the test program below. Other similar transistors such as a 2N3904 may also be used, but the program may require modification.

#### 3.4.2 Measurement Considerations

A fixed delay period of 100msec, which is included in the program, may not be sufficient for testing some devices. Also, it may be necessary to change the programmed current values to optimize the tests for a particular device.

#### 3.4.3 Program 4: Common-emitter Characteristics

Program 4 below can be used to run common-emitter characteristic tests on small-signal NPN transistors. In order to run the program, follow the steps below.

1. With the power off, connect both Model 236 Source Measure Units to the IEEE-488 interface of the computer.
2. Connect the test fixture to both units using appropriate cables (see Figure 3-1).
3. Turn on both Model 236 Source Measure Units, and allow the units to warm up for two hours for rated accuracy. Make sure the primary address of Unit #1 is set to 16 and that the primary address of Unit #2 is set to 17.
4. Turn on the computer, and boot up BASIC.
5. Enter the lines below into the computer.
6. Install a small-signal NPN silicon transistor such as a 2N5089 in the appropriate transistor socket of the test fixture. Be certain that the jumpers are properly installed, then close the test fixture lid.

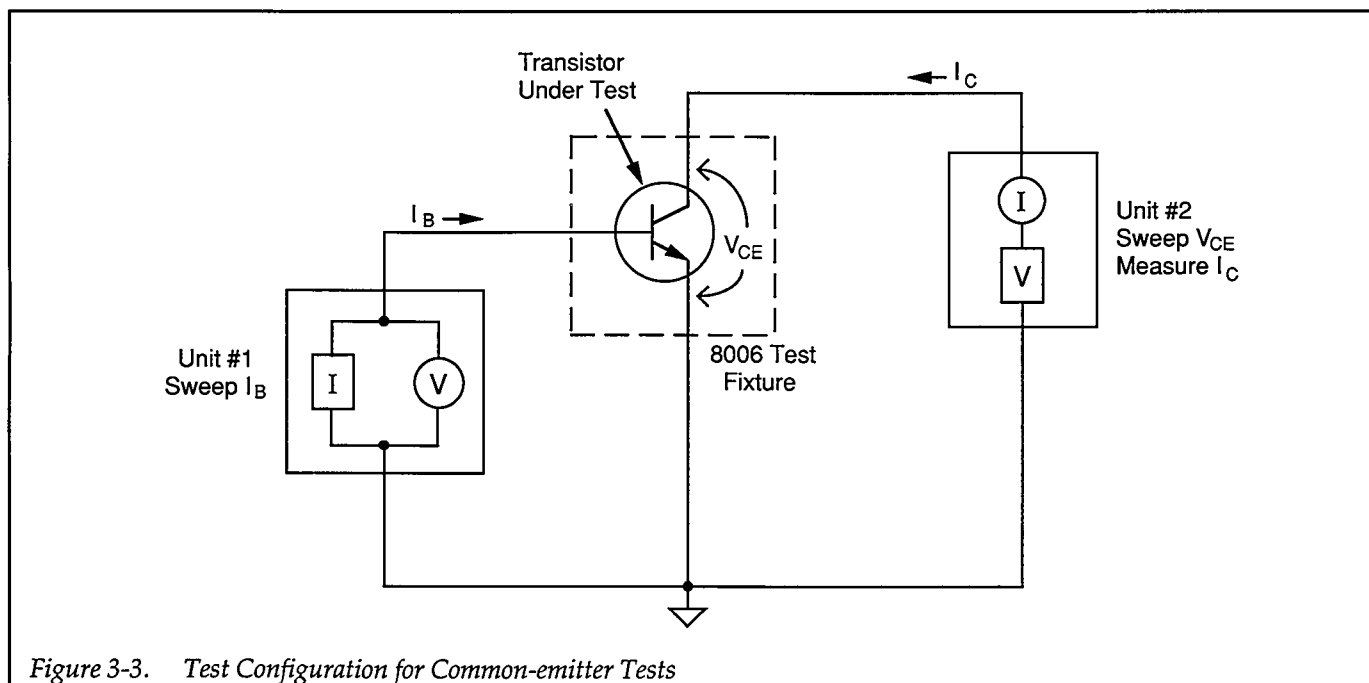
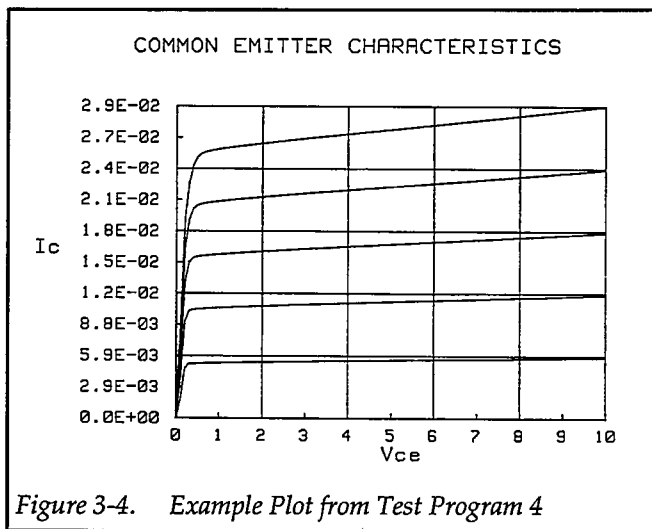


Figure 3-3. Test Configuration for Common-emitter Tests

7. RUN the program in the usual manner. The computer will program both units and run the common-emitter characteristic test on the device. The base current will be swept between  $10\mu\text{A}$  and  $50\mu\text{A}$  in  $10\mu\text{A}$  increments, and the value of  $V_{\text{CE}}$  will be swept between  $0\text{V}$  and  $10\text{V}$  in  $0.1\text{V}$  increments. A fixed delay of  $100\text{msec}$  is also incorporated into the program.
8. Once the sweeps have been completed, you will be prompted to press CONT to generate a plot of the data. A simple  $I_{\text{C}}$  vs.  $V_{\text{CE}}$  plot will then be displayed on the computer CRT, with separate curves for each  $I_{\text{B}}$  value.
9. To return to BASIC from the graph, press CONT.

### 3.4.4 Typical Program 4 Results

Figure 3-4 shows typical results generated by example Program 4. A 2N5089 NPN silicon transistor was used to generate these test results.



### 3.4.5 Program 4 Description

For the following program description, refer to the program listing below and the flowchart shown in Figure 3-5.

Initially, the reading array is dimensioned (line 30) as a three-element array that will hold five sweeps of 101 points each, with two readings for each point. Next, both units are returned to default conditions by a DCL command (line 40), and Unit #1, which sweeps  $I_{\text{B}}$ , is set up as follows (lines 70-160):

- Source I, sweep mode

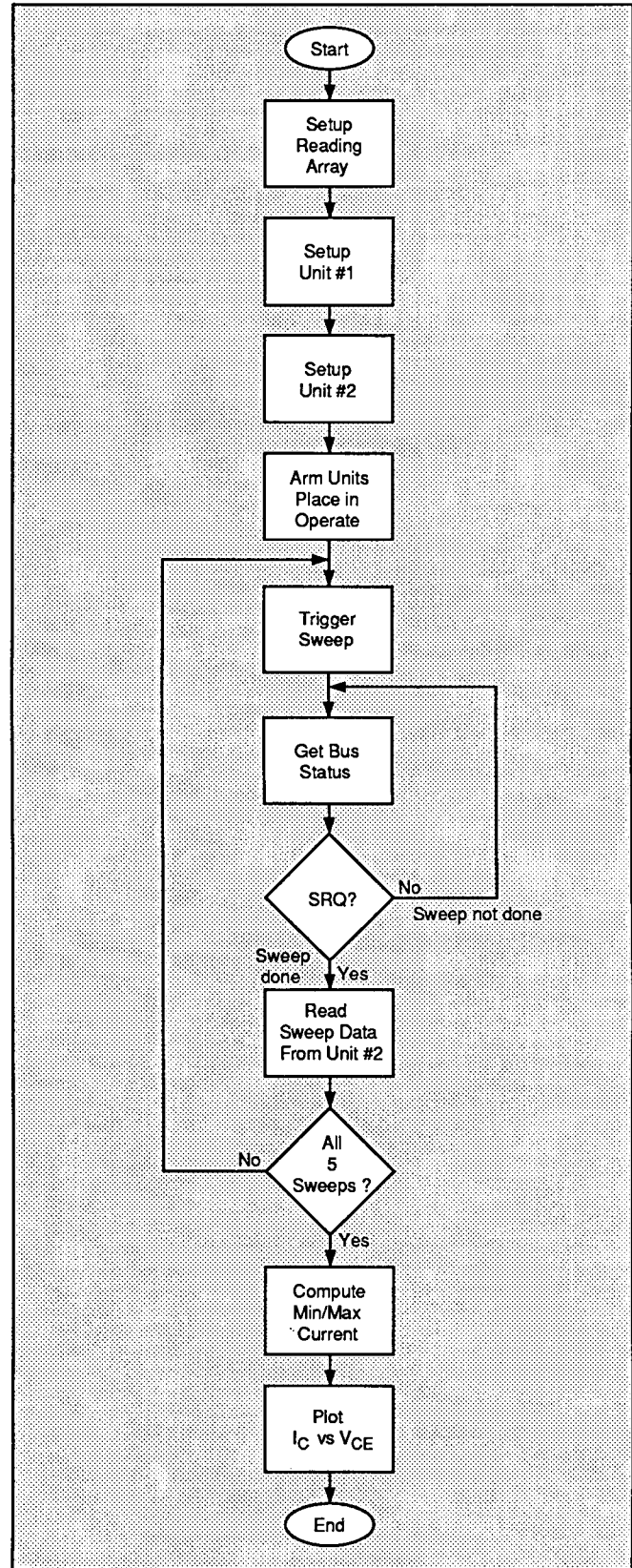


Figure 3-5. Program 4 Flowchart

- 1V compliance, 1.1V range
- Local sense
- Trigger on GET, one step per trigger, output trigger at end of delay
- Start  $I_B$  current: 10 $\mu$ A
- Stop  $I_B$  current: 50 $\mu$ A
- Step  $I_B$  current: 10 $\mu$ A
- Delay: 100msec
- Staircase sweep (limits determined by start, stop, and step current)

Following Unit #1 setup, Unit #2, which sweeps  $V_{CE}$  and measures  $I_C$ , is programmed as follows (lines 180-290):

- Source V, sweep mode
- Local sensing
- 100mA compliance, autorange measure
- Source measure data format with no prefix, sweep data
- SRQ on sweep done
- Trigger on external, one sweep per trigger
- Line cycle integration (to reduce noise)
- Suppress on (to null offsets)
- Start  $V_{CE}$  voltage: 0V
- Stop  $V_{CE}$  voltage: 10V
- Step  $V_{CE}$  voltage: 0.1V
- Staircase sweep (limits determined by start, stop, and step voltage)

Once the two units are ready to go, both triggers are armed and the units are placed into operate (lines 330 and 340). The main programming loop is then entered to generate the five  $I_B$  curve sweeps (line 350).

One of the key demonstrations of this test program is the subordinate-sweep configuration. To initiate each  $I_B$  curve sweep, Unit #1 is triggered over the bus by the IEEE GET command (line 370). This trigger causes Unit #1 to output the next programmed  $I_B$  current step. Following the programmed delay period, Unit #1 outputs a trigger pulse, which triggers Unit #2 to begin its sweep through all programmed  $V_{CE}$  values. At each  $V_{CE}$  value,

Unit #2 measures  $I_C$ , and stores the data until the sweep is done.

In order to synchronize the program with each sweep, the program enters a loop to wait for Unit #2 to generate an SRQ (lines 380 and 390) when it has finished a sweep. Once each sweep has finished, Unit #2 is serial polled to clear the SRQ line (line 400), and the data are read into the reading array (line 420). Array element (I,J,1) stores source ( $V_{CE}$ ) information, and array element (I,J,2) stores measured data ( $I_C$ ) information. Once all the data pertaining to the present sweep are read, the program loops back to generate the next sweep at the subsequent  $I_B$  value (line 440).

In order to properly scale the plot, the maximum and minimum  $I_C$  values must be determined. This operation is performed in lines 500-570 of the program. Next, the data are plotted (lines 590-930). Note that the X axis of the graph is scaled by the Vstart and Vstop parameters (line 690), while the the Y axis is scaled by the maximum and minimum IC values. Plotting is performed on the reading data (lines 740-790); note that the plot array (PLOT (\*)) statement cannot be used in this situation because of the three-element array used to store reading data.

### 3.4.6 Modifying the Program

As written, the sweep limits and increments are set to fixed values. For  $I_B$ , the start, stop, and step values are 10 $\mu$ A, 50 $\mu$ A, and 10 $\mu$ A respectively, and the start, stop, and step  $V_{CE}$  values are 0V, 10V, and 0.1V respectively. Again, you can modify the program as required, or include INPUT statements to allow operator input of these parameters. For sweep lengths other than 101 points, additional modifications such as array dimension and loop counter must also be made.

You can also speed up the sweep process by shortening the delay parameter (line 150) or changing the integration period (line 250). Doing so, however, may result in inaccurate readings or unacceptable noise levels.

**SECTION 3**  
**Bipolar Transistor Tests**

```

10  REM COMMON EMITTER CHARACTERISTIC TEST PROGRAM REV. 1.3 (Program 4)
20  OPTION BASE 1                                ! First array subscript is 1
30  DIM Reading(5,101,2)                         ! Dimension reading array (5 swps,101 pts)
40  CLEAR 7                                       ! Clear both Units
50  OUTPUT KBD;CHR$(255);CHR$(75);              ! Clear screen
60  REM ***** Unit 1 setup (sweeps Ib). *****
70  REMOTE 716                                    ! Put Unit 1 in remote
80  OUTPUT 716;"F1,1X"                           ! Source I, sweep mode
90  OUTPUT 716;"L1,1X"                           ! 1V compliance, 1.1V range
100 OUTPUT 716;"00X"                             ! Local sense
110 OUTPUT 716;"T1,1,2,0X"                       ! GET trigger cycle,out trig end of delay
115 OUTPUT 716;"B0,0,0X"                         ! Program 0 bias value
120 Istart=1.0E-5                                ! Define 10uA start Ib current
130 Istop=5.0E-5                                 ! Define 50uA stop Ib current
140 Istep=1.0E-5                                 ! Define 10 uA step Ib current
150 Dly=100                                       ! Define 100msec Unit delay
160 OUTPUT 716;"Q1,";Istart;",";Istop;",";Istep;"",0,";Dly;"X" ! Pgm swp
170 REM ***** Unit 2 setup (sweeps Vce, measures Ic) *****
180 REMOTE 717                                    ! Put Unit 2 in remote
190 OUTPUT 717;"F0,1X"                           ! Source V, sweep mode
200 OUTPUT 717;"00X"                             ! Local sensing
210 OUTPUT 717;"L100E-3,0X"                     ! 100mA compliance,autorange measure
220 OUTPUT 717;"G5,2,1X"                       ! Source,measure,no prefix,sweep data
230 OUTPUT 717;"M2,X"                          ! SRQ on sweep done
240 OUTPUT 717;"T3,0,0,0X"                      ! Trigger on external,continuous
250 OUTPUT 717;"S2X"                            ! Line cycle integration
255 OUTPUT 717;"B0,0,0X"                        ! Program 0 bias value
260 OUTPUT 717;"Z1X"                            ! Enable suppress
270 Vstart=0                                     ! Define 0V start Vce
280 Vstop=10                                    ! Define 10V stop Vce
290 Vstep=.1                                    ! Define 0.1V step Vce
300 OUTPUT 717;"Q1,";Vstart;",";Vstop;",";Vstep;"",0,";Dly;"X" ! Pgm swp
310 PRINT "Close lid, press CONT to begin test"
320 PAUSE
330 OUTPUT 716;"R1N1X"                          ! Arm Unit 1 trigger,turn on output
340 OUTPUT 717;"R1N1X"                          ! Arm Unit 2 trigger, turn on output
350 FOR I=1 TO 5                                 ! Loop for five Ib curves
360 PRINT "Generating sweep";I
370 TRIGGER 716                                  ! Trigger Unit 1
380 STATUS 7,7;Stat                             ! Get IEEE-488 bus status
390 IF NOT BIT(Stat,10) THEN 380                 ! Wait for Unit 2 SRQ on sweep done
400 Stat=SPOLL(717)                             ! Serial poll Unit 2 to clear SRQ
410 FOR J=1 TO 101                              ! Loop for all 101 readings
420 ENTER 717;Reading(I,J,1),Reading(I,J,2)! Get Vce and Ic data from Unit 2
430 NEXT J                                       ! Loop back for next reading
440 NEXT I                                       ! Loop back for next Ib value
450 OUTPUT 716;"N0X"                            ! Turn off Unit 1 output
460 OUTPUT 717;"N0X"                            ! Turn off Unit 2 output
470 PRINT "Press CONT to display graph"
480 PRINT "Press CONT while in graph to return to BASIC"
490 PAUSE
500 Ymin=MAXREAL                                ! Find minimum and maximum Ic value

```



```
510 Ymax=-MAXREAL
520 FOR I=1 TO 5
530 FOR J=1 TO 101
540 IF Reading(I,J,2)<Ymin THEN Ymin=Reading(I,J,2)
550 IF Reading(I,J,2)>Ymax THEN Ymax=Reading(I,J,2)
560 NEXT J
570 NEXT I
580 OUTPUT KBD;CHR$(255);CHR$(75); ! Clear screen
590 GINIT ! Initialize graphics
600 PLOTTER IS CRT,"INTERNAL" ! Define plot to CRT
610 GRAPHICS ON ! Turn on graphics
620 MOVE 20,95 ! Title graph
630 LABEL "COMMON EMITTER CHARACTERISTICS"
640 MOVE 70,10 ! Label X axis
650 LABEL "Vce"
660 MOVE 0,53 ! Label Y axis
670 LABEL "Ic"
680 VIEWPORT 30,120,20,85 ! Define soft clip limits
690 WINDOW Vstart,Vstop,Ymin,Ymax ! Scale graph
700 Y1=(Ymax-Ymin)/10 ! Compute Y axis increment
710 X1=(Vstop-Vstart)/10 ! Compute X axis increment
720 GRID 2*X1,2*Y1,Vstart,Ymin ! Draw grid
730 AXES X1,Y1,Vstart,Ymin ! Add some tick marks
740 FOR I=1 TO 5 ! Loop for all five curves
750 FOR J=1 TO 101 ! Loop for all 101 points per curve
760 PLOT Reading(I,J,1),Reading(I,J,2) ! Plot point
770 NEXT J ! Plot next point
780 PENUP ! Raise pen
790 NEXT I ! Plot next curve
800 CSIZE 4 ! Define character size
810 LORG 6 ! Center characters
820 CLIP OFF ! Turn off soft clip
830 FOR I=Vstart TO Vstop+.01*X1 STEP X1 ! Number X axis
840 MOVE I,Ymin-(Y1/4)
850 LABEL USING "#,K";I
860 NEXT I
870 FOR I=Ymin TO Ymax+.01*Y1 STEP Y1 ! Number Y axis
880 MOVE Vstart-(1.3*X1),I+(.3*Y1)
890 LABEL USING "#,MD.DE";I
900 NEXT I
910 PAUSE
920 OUTPUT KBD;CHR$(255);CHR$(75); ! Clear alpha screen
930 GRAPHICS OFF ! Clear graphics screen
940 END
```

### 3.5 GUMMEL PLOT

A Gummel plot is often used to determine current gain variations of a transistor. Data for a Gummel plot is obtained by sweeping the base-emitter voltage,  $V_{BE}$ , across the desired range of values at specific increments. At each  $V_{BE}$  value, both the base current,  $I_B$ , and collector current,  $I_C$ , are measured.

Once the data are taken, a plot of both  $I_B$  and  $I_C$  vs.  $V_{BE}$  is generated. Because of the large differences in magnitude between  $I_B$  and  $I_C$ , the Y axis is usually plotted logarithmically.

#### 3.5.1 Test Configuration

Figure 3-6 shows the test configuration for Gummel plot tests. Unit #1 is used to sweep  $V_{BE}$  across the desired range, and it also measures  $I_B$ . Unit #2 sets  $V_{CE}$  to the desired fixed value, and it also measures  $I_C$ .

#### 3.5.2 Measurement Considerations

As written, the range of  $V_{BE}$  test values is from 0.7V to 0V in  $-0.01V$  increments. It may be necessary, however, to change these limits for best results with your particular device. See paragraph 3.5.6 for information. Note that the plot is done in reverse order to optimize autoranging performance.

Also, low currents will be measured so take the usual low-current precautions.

#### 3.5.3 Program 5: Gummel Plot

Program 5 demonstrates the basic programming techniques for generating a Gummel plot. Follow the steps below to run this program.

1. With the power off, connect both Model 236 Source Measure Units to the IEEE-488 interface of the computer.
2. Connect the test fixture to both units using appropriate triax cables (see Figure 3-1).
3. Turn on both Model 236 Source Measure Units, and allow the units to warm up for two hours for rated accuracy. Make sure the primary address of Unit #1 is set to 16 and that the primary address of Unit #2 is set to 17.
4. Turn on the computer, and boot up BASIC.
5. Enter the lines below into the computer.
6. Install a small-signal NPN silicon transistor such as a 2N5089 in the appropriate transistor socket of the test fixture. Be certain that the jumpers are properly installed, then close the test fixture lid.
7. RUN the program in the usual manner. The computer will program both units and run the test on the device. The base-emitter voltage will be swept between 0.7V and 0V in  $-0.01V$  increments, and both  $I_B$  and  $I_C$  will be measured at each  $V_{BE}$  value. Note that a fixed collector-emitter voltage of 10V is used for the tests.

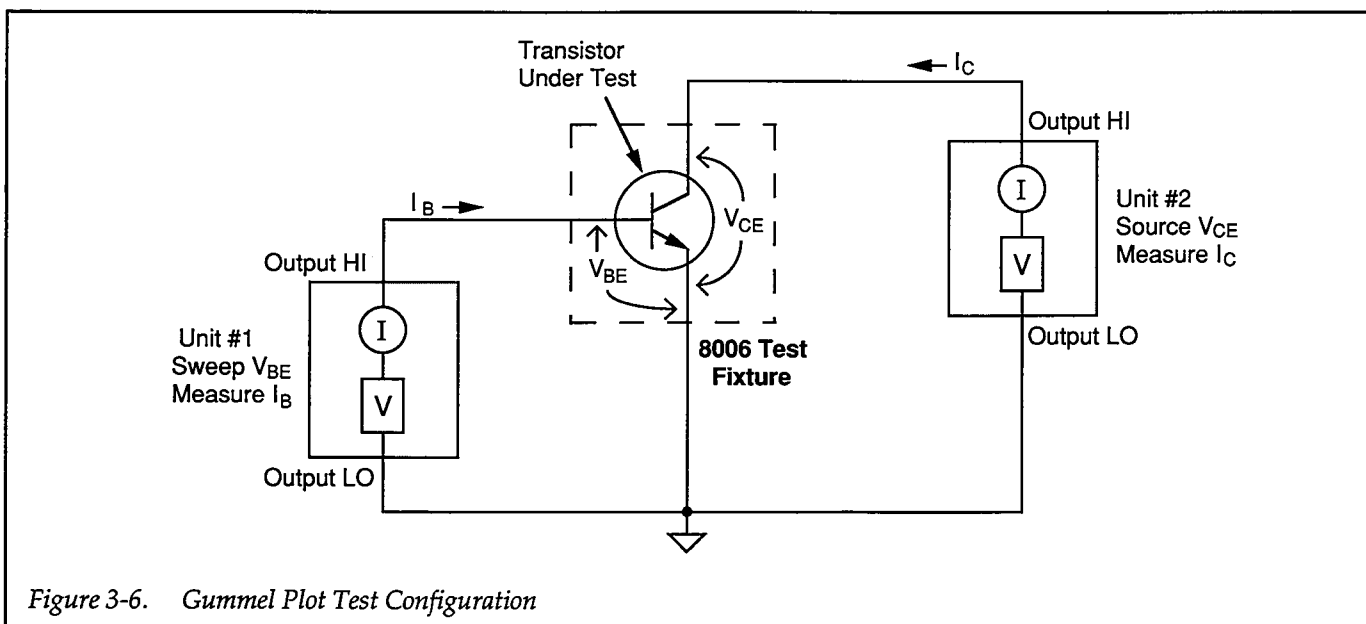


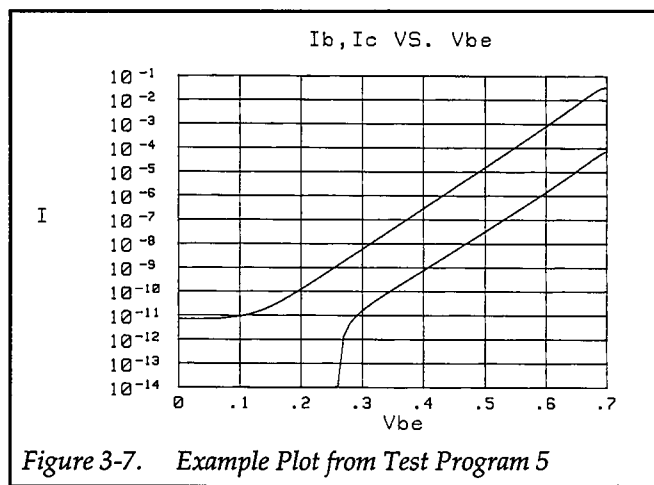
Figure 3-6. Gummel Plot Test Configuration

8. Once the sweep has been completed, you will be prompted to press CONT to generate a plot of the data. A simple  $I_B$  and  $I_C$  vs.  $V_{BE}$  plot will then be displayed on the computer CRT, with separate logarithmic curves for  $I_B$  and  $I_C$ .
9. To return to BASIC from the graph, press CONT.

- Staircase sweep (number of points determined by start, stop, and step voltages)
- 10msec delay

### 3.5.4 Typical Program 5 Results

Figure 3-7 displays a typical Gummel plot as generated by example Program 5. Again, the transistor used for this example was a 2N5089 NPN silicon transistor.



### 3.5.5 Program 5 Description

Refer to the Program 5 listing below and the flowchart shown in Figure 3-8 for the following description.

Initially, the data array is set up (lines 20 and 30), and both Source Measure Units are returned to their default conditions (line 40). Next, Unit #1, which sweeps  $V_{BE}$  and measures  $I_B$ , is set up as follows (lines 70-180):

- Source V, sweep mode
- 1mA compliance, autorange measure
- Local sensing
- Source and measure data format, no prefix, output sweep data
- External trigger, trigger starts measurement phase, output trigger end of delay
- Line cycle integration
- Start  $V_{BE}$  voltage: 0.7V
- Stop  $V_{BE}$  voltage: 0V
- Step  $V_{BE}$  voltage: -0.01V

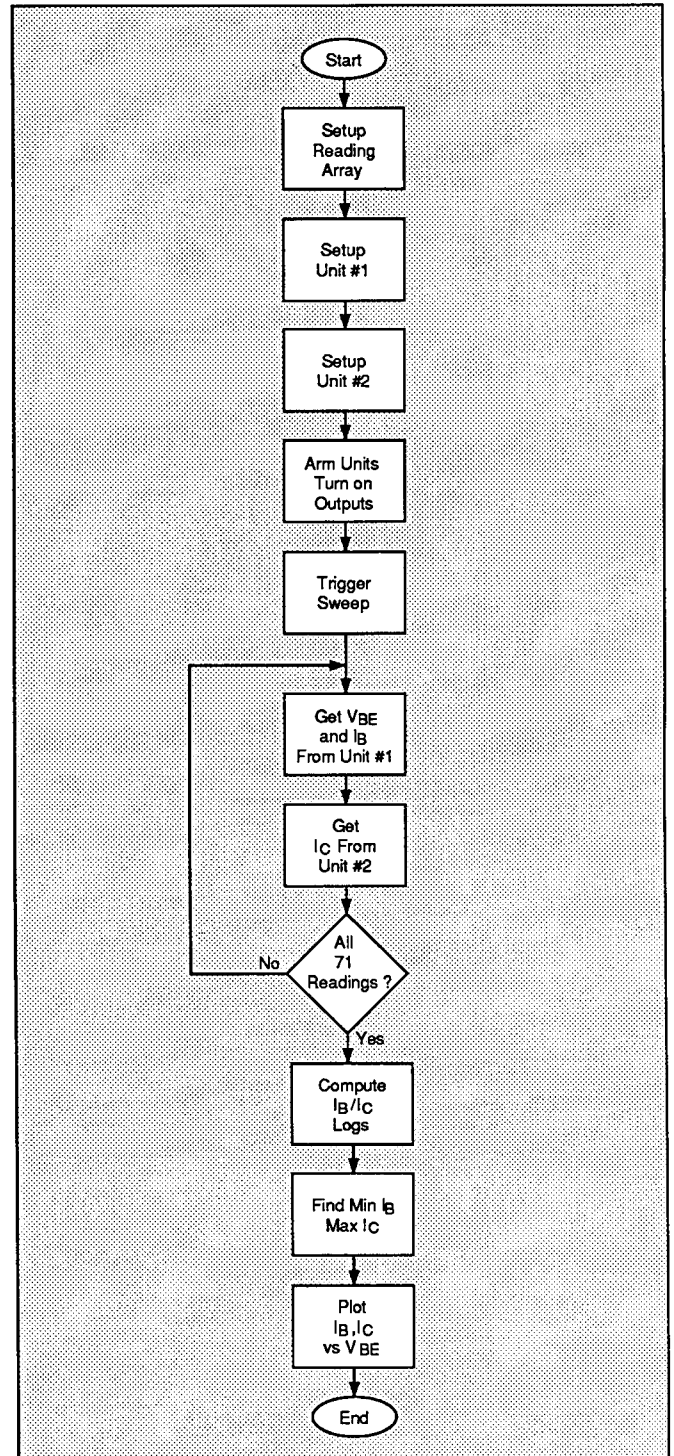


Figure 3-8. Program 5 Flowchart

Unit #2, which measures  $I_C$ , is programmed in the following manner (lines 200-290):

- Source  $V$ , sweep mode
- Local sensing
- 100mA compliance, autorange measure
- Measure data only, no prefix, sweep data
- Trigger on external, trigger starts source phase, output trigger on end of measurement
- Line cycle integration
- 10msec delay
- Constant sweep (number of points programmed to 71),  $V_{CE}=10V$
- 10V bias voltage

Following unit setup, both unit triggers are armed, and the instruments are placed into the operate mode (lines 320 and 330).

Note that synchronized sweeps are used in this program, with Unit #1 triggering Unit #2 and vice versa. Since both Source Measure Units are programmed for the external trigger mode, the only way to trigger the test is to use the immediate trigger command, H0X (line 350). Once triggered, Unit #1 sets  $V_{BE}$  to the required value, and it then triggers Unit #2 at the end of the delay period. Unit #2 then sets  $V_{CE}$  and measures  $I_C$  at  $I_B$ . At the end of its measurement, Unit #2 triggers the next Unit #1 measurement, and the cycle repeats.

While sweep is being performed, a nested loop is entered to read the data from both units into the reading array (lines 360-390). Note that  $I_B$  and  $V_{BE}$  data from Unit #1 are placed into reading array elements (I,1) and (I,2) respectively, while  $I_C$  data from Unit #2 is placed into reading array element (I,3).

Next, the the base 10 log of both  $I_B$  and  $I_C$  data is calculated (lines 440-490). At the same time, an arbitrary noise floor of 0.01pA is defined to eliminate offsets and noise in the final readings (lines 450-460). As pointed out earlier, these data are usually plotted logarithmically because of the wide differences between  $I_B$  and  $I_C$ . Finally, the maximum  $I_C$  and minimum  $I_B$  values are found in order to scale the Y axis of the graph (lines 510-560), and the closest even power of 10 for both maximum and minimum values are then set (lines 570 and 580). The results are then plotted in the usual manner (lines 600-1000).

### **3.5.6 Modifying the Program**

If desired, you can modify the program for different sweeps by modifying the start, stop, and step currents to the required values (or add INPUT statements for run-time operator inputs). For sweep lengths other than 71, additional modifications such as array dimensioning and loop counters must also be included.

The fixed 10V  $V_{CE}$  value can also be modified, if required. Simply change the value declaration in the program, or add an INPUT statement for run-time operator input.

```
10  REM GUMMEL PLOT TEST PROGRAM REV. 1.3 (Program 5)
20  OPTION BASE 1                ! First array subscript is 1
30  DIM Reading(71,3)           ! Dimension reading array (71 pts)
40  CLEAR ?                      ! Clear both Units
50  OUTPUT KBD;CHR$(255);CHR$(75); ! Clear screen
60  REM ***** Unit 1 setup (sweeps Vbe, measures Ib) *****
70  REMOTE 716                   ! Put Unit 1 in remote
80  OUTPUT 716;"F0,1X"          ! Source V, sweep mode
90  OUTPUT 716;"L1E-3,0X"      ! 1mA compliance, autorange measure
100 OUTPUT 716;"00X"           ! Local sense
110 OUTPUT 716;"G5,2,1X"       ! Source, measure, no prefix, sweep data
120 OUTPUT 716;"T3,4,2,0X"    ! Ext trigger, out trig end of delay
130 OUTPUT 716;"S2Z0X"        ! Line cycle integration, suppress off
135 OUTPUT 716;"B0,0,0X"      ! Program 0 bias value
140 Vstart=.7                   ! Define 0.7V start Vbe voltage
150 Vstop=0                     ! Define 0V stop Vbe voltage
160 Vstep=-.01                  ! Define -0.01V step Vbe voltage
170 Dly=10                      ! Define 10msec Unit delay
180 OUTPUT 716;"Q1,";Vstart;",";Vstop;",";Vstep;"",0,";Dly;"X" ! Program sweep
190 REM ***** Unit 2 setup (sources Vce, measures Ic) *****
200 REMOTE 717                   ! Put Unit 2 in remote
210 OUTPUT 717;"F0,1X"        ! Source V, sweep mode
220 OUTPUT 717;"00X"          ! Local sensing
230 OUTPUT 717;"L100E-3,0X"   ! 100mA compliance, autorange measure
240 OUTPUT 717;"G4,2,1X"      ! Measure, no prefix, sweep data
250 OUTPUT 717;"T3,1,4,0X"    ! External trigger, out trig end of meas
260 Vce=10                      ! Define 10V constant Vce
270 OUTPUT 717;"S2Z0X"        ! Line cycle integration, suppress off
280 OUTPUT 717;"B";Vce;"",0,0X" ! Set bias value to Vce
290 OUTPUT 717;"Q0,";Vce;"",0,";Dly;"",71X" ! Program constant sweep, 71 points
300 PRINT "Close lid, press CONT to begin test"
310 PAUSE
320 OUTPUT 716;"R1N1X"         ! Arm Unit 1 trigger, turn on output
330 OUTPUT 717;"R1N1X"         ! Arm Unit 2 trigger, turn on output
340 PRINT "Generating sweep"
350 OUTPUT 716;"H0X"          ! Trigger Unit 1 to start sweep
360 FOR I=1 TO 71              ! Loop for all 71 readings
370 ENTER 716;Reading(I,1),Reading(I,2) ! Get Vbe and Ib data from Unit 1
380 ENTER 717;Reading(I,3)     ! Get Ic data from Unit 2
390 NEXT I                    ! Loop back for next readings
400 OUTPUT 716;"N0X"          ! Turn off Unit 1 output
410 OUTPUT 717;"N0X"          ! Turn off Unit 2 output
420 PRINT "Press CONT to display graph"
430 PRINT "Press CONT while in graph to return to BASIC"
440 FOR I=1 TO 71              ! Take LOG values of Ib and Ic
450 IF Reading(I,2)<1.E-14 THEN Reading(I,2)=1.E-14 ! Set Ib noise floor
460 IF Reading(I,3)<1.E-14 THEN Reading(I,3)=1.E-14 ! Set Ic noise floor
470 Reading(I,2)=LGT(Reading(I,2)) ! Take common log of Ib
480 Reading(I,3)=LGT(Reading(I,3)) ! Take common log of Ic
490 NEXT I                    ! Loop back for next data point
500 PAUSE
510 Ymin=MAXREAL                ! Find minimum Ib and maximum Ic value
```

**SECTION 3**  
**Bipolar Transistor Tests**

```
520 Ymax=-MAXREAL
530 FOR I=1 TO 71 ! Loop for all 71 points
540 IF Reading(I,2)<Ymin THEN Ymin=Reading(I,2) ! Check Ymin against Ib
550 IF Reading(I,3)>Ymax THEN Ymax=Reading(I,3) ! Check Ymax against Ic
560 NEXT I ! Loop back for next point
570 Ymax=INT(Ymax)+1 ! Scale Ymax to even power of 10
580 Ymin=INT(Ymin) ! Scale Ymin to even power of 10
590 OUTPUT KBD;CHR$(255);CHR$(75); ! Clear screen
600 GINIT ! Initialize graphics
610 PLOTTER IS CRT,"INTERNAL" ! Define plot to CRT
620 GRAPHICS ON ! Turn on graphics
630 MOVE 55,90 ! Title graph
640 LABEL "Ib,Ic VS. Vbe"
650 MOVE 70,10 ! Label X axis
660 LABEL "Vbe"
670 MOVE 0,53 ! Label Y axis
680 LABEL "I"
690 VIEWPORT 30,120,20,85 ! Define soft clip limits
700 WINDOW Vstop,Vstart,Ymin,Ymax ! Scale graph
710 Y1=1 ! Define Y axis scaling increment
720 Y2=Ymin ! Define Y axis label value increment
730 Y3=ABS((Ymax-Ymin)/12) ! Define Y axis label spacing increment
740 X1=(Vstart-Vstop)/7 ! Compute X axis increment
750 GRID X1,Y1,Vstop,Ymin ! Draw grid
760 FOR I=71 TO 1 STEP -1 ! Loop for all 71 points
770 PLOT Reading(I,1),Reading(I,2) ! Plot Ib point
780 NEXT I ! Plot next Ib point
790 PENUP ! Raise pen
800 FOR I=71 TO 1 STEP -1 ! Loop for all 71 points
810 PLOT Reading(I,1),Reading(I,3) ! Plot Ic point
820 NEXT I ! Plot next Ic point
830 CSIZE 4 ! Define character size
840 LORG 6 ! Center characters
850 CLIP OFF ! Turn off soft clipping
860 FOR I=Vstop TO Vstart+.01*X1 STEP X1 ! Number X axis
870 MOVE I,Ymin-(Y3/4)
880 LABEL USING "#,K";I
890 NEXT I
900 FOR I=Ymin TO Ymax+.01*Y1 STEP Y1 ! Number Y axis
910 MOVE Vstop-(.95*X1),I+(.3*Y3)
920 CSIZE 4.5
930 LABEL "10"
940 MOVE Vstop-(.5*X1),I+(.35*Y3)
950 CSIZE 3
960 LABEL USING "#,K";I
970 NEXT I
980 PAUSE
990 OUTPUT KBD;CHR$(255);CHR$(75); ! Clear alpha screen.
1000 GRAPHICS OFF ! Clear graphics screen
1010 END
```

### 3.6 CURRENT GAIN

$$\beta_{ac} = \frac{\Delta I_C}{\Delta I_B}$$

The following paragraphs discuss two methods for determining dc current gain, as well as ways to measure ac current gain.

Where:  $\beta_{ac}$  = ac current gain  
 $\Delta I_C = I_{C2} - I_{C1}$   
 $\Delta I_B = I_{B2} - I_{B1}$

#### 3.6.1 Gain Calculations

The common-emitter dc current gain of a bipolar transistor is simply the ratio of the dc collector current to the dc base current of the device. The dc current gain is calculated as follows:

$$\beta = \frac{I_C}{I_B}$$

Where:  $\beta$  = current gain  
 $I_C$  = dc collector current  
 $I_B$  = dc base current

Often the differential or ac current gain is used instead of the dc value because it more closely approximates the performance of the transistor under small-signal ac conditions. In order to determine the differential current gain, two values of collector current ( $I_{C1}$  and  $I_{C2}$ ) at two different base currents ( $I_{B1}$  and  $I_{B2}$ ) are measured. The current gain is then calculated as follows:

Test for both dc and ac current gain are generally done at one specific value of  $V_{CE}$ . Ac current gain tests should be performed with as small a  $\Delta I_B$  as possible so that the device remains in the linear region of the curve.

#### 3.6.2 Test Configuration for Search Method

Figure 3-9 shows the test configuration for the search method of dc current gain tests and ac gain tests. Unit #1 is used to supply  $I_{B1}$  and  $I_{B2}$ . Unit #2 sources  $V_{CE}$ , and it also measures the collector currents  $I_{C1}$  and  $I_{C2}$ .

#### 3.6.3 Measurement Considerations

When entering the test base currents, take care not to enter values that will saturate the device. The approximate base current value can be determined by dividing the desired collector current value by the typical current gain for the transistor being tested.

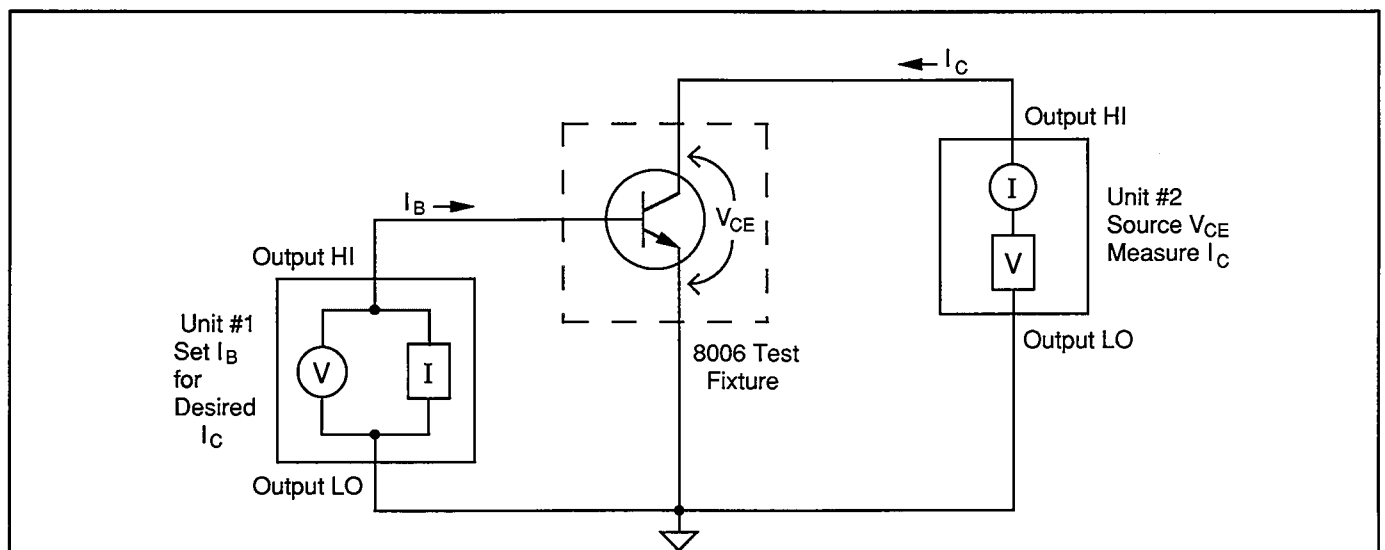


Figure 3-9. Test Configuration for Current Gain Tests Using Search Method

### 3.6.4 Program 6A: Dc Current Gain Using Search Method

Use Program 6A to perform dc current gain tests on bipolar transistors. Proceed as follows:

1. With the power off, connect both Model 236 Source Measure Units to the IEEE-488 bus of the computer.
2. Connect the test fixture to both units using appropriate triax cables (see Figure 3-1 for details on test connections).
3. Turn on both Source Measure Units, and allow them to warm up for at least two hours for rated accuracy. Be sure that the primary address of Unit #1 is set to 16, and that the primary address of Unit #2 is set to 17.
4. Turn on the computer, then boot up BASIC.
5. Enter the lines below into the computer
6. Install a small-signal NPN silicon transistor such as a 2N5089 in the desire test fixture socket. Install the required jumpers, then close the test fixture lid.
7. RUN the program, and follow the prompts on the screen. You will be prompted to enter the desired maximum and minimum base current values for the  $I_C$  search as well as the target collector current value, and the desired value of  $V_{CE}$ . When entering the base currents, keep the approximate current gain of the device in mind so as not to saturate the device. Also, enter a sufficient base current range to allow a successful search.
8. Once the parameters are entered, the units will be programmed accordingly, and the collector current of the device will be measured. The program will perform an iterative search to determine the closest match to the target  $I_C$  (within  $\pm 5\%$ ). The dc current gain of the device at specific  $I_B$  and  $I_C$  values will then be displayed on the computer CRT. If the search is unsuccessful, rerun the program with a more appropriate set of base current values.

### 3.6.5 Typical Program 6A Results

A typical current gain for a 2N5089 would be about 500. Note however, that the current gain of the device could be as low as 300 or as high as 800.

### 3.6.6 Program 6A Description

For the following description, refer to the flowchart shown in Figure 3-10 and the Program 6A listing shown

below.

Initially, the iteration variables are defined (lines 20 and 30), and both units are returned to default conditions (line 40). Unit #1, which sources  $I_B$ , is set up as follows (lines 70-120):

- Source I, dc mode
- 1V compliance, 1.1V range
- Local sense
- GET trigger, continuous
- Dc current mode, value determined by user-input  $I_B$  value

The user is then prompted to enter the minimum and maximum  $I_B$  values, as well as the target  $I_C$ .

Following Unit #1 setup, Unit #2, which sources  $V_{CE}$  and measures  $I_C$ , is configured as follows (lines 180-250):

- Source V, dc mode
- Local sense
- 100mA compliance, autorange measure
- Source only data format, no prefix, dc data output
- Trigger on GET, continuous
- Dc voltage, value determined by user-input  $V_{CE}$  value
- Two-second delay

Once the operator signals to continue the program (lines 260 and 270), both Source Measure Unit triggers are armed and the units are placed into operate (lines 280 and 290). Next, the units are triggered (lines 310-320), and the iteration counter is incremented and tested against the programmed limit (lines 330 and 340). If the number of iterations has been exceeded, a message to that effect is displayed, and the program halts.

Assuming that the number of iterations has not been exceeded, Unit #1 is programmed with the base current value (line 390), and, after a two-second delay (line 410), the status byte is obtained from Unit #2 (line 420). Bit 7 in the status byte is then checked (lines 410-450) to see if it is set. If so, Unit #2 is over compliance, the operator is then notified, and the program is halted.

Assuming no error, the value of  $I_C$  is requested (line 470), and the value is checked against the target (lines 480-570) to see if it is within  $\pm 5\%$ . If no match is found, a new  $I_B$  value is computed, and the program loops back to per-



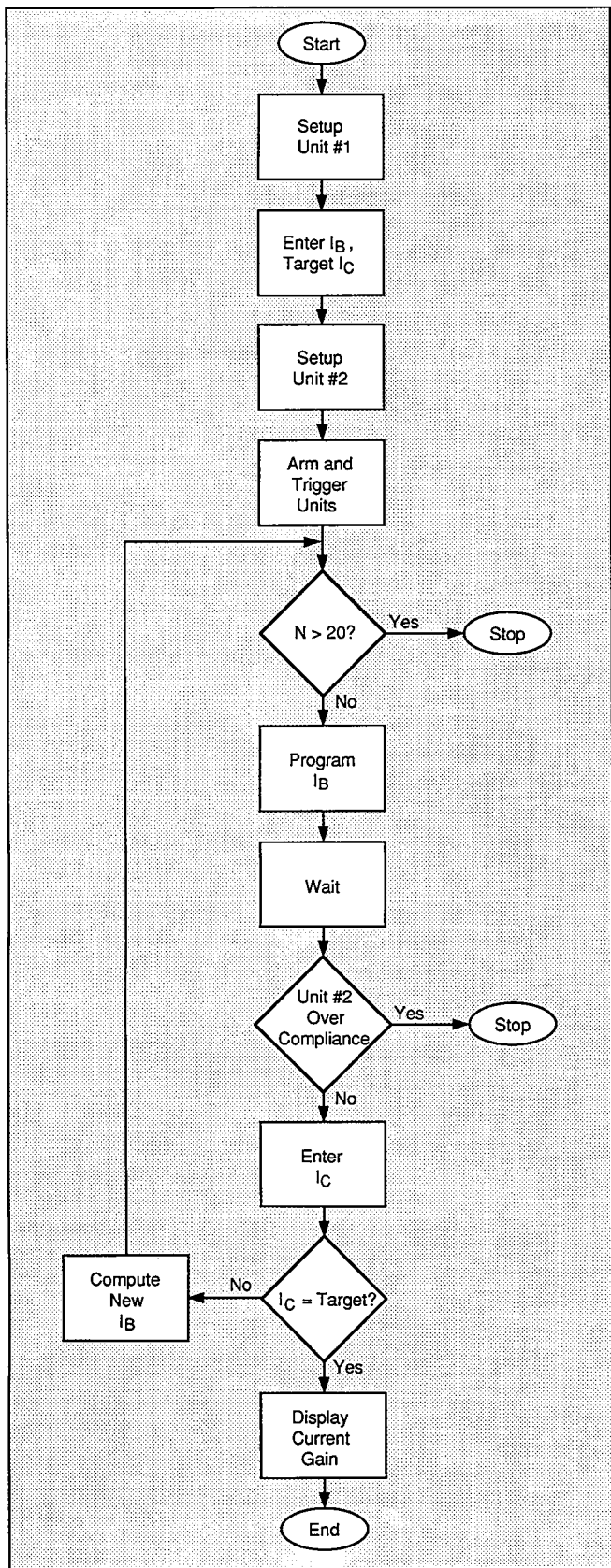


Figure 3-10. Program 6A Flowchart

form the test again at the new value. Finally, both units are placed into standby (lines 580 and 590), and the dc current gain is calculated and displayed (line 600).

### 3.6.7 Modifying Program 6A

For demonstration purposes, the  $I_C$  target match tolerance is set to  $\pm 5\%$ . You can, of course, change this tolerance as required. Similarly, the iteration limit is set to 20. Again, this value can be adjusted for greater or fewer iterations as necessary. Note that it may be necessary to increase the number of iterations if the target range is reduced.

### 3.6.8 Configuration for Fast Current Gain Tests

Figure 3-11 shows the test configuration for an alternate method of current gain tests -- one that is much faster than the search method discussed previously. Unit #1 is used to supply  $V_{CE}$ , and it also measures  $I_B$ . Unit #2 sources the emitter current,  $I_E$ , rather than the collector current,  $I_C$ . Since we are sourcing emitter current instead of collector current, the current gain calculations must be modified as follows:

$$\beta = \frac{I_E - I_B}{I_B}$$

#### WARNING

When a Model 236/237 is programmed for remote sensing, hazardous voltage may be present on the SENSE and OUTPUT terminals when the unit is in operate regardless of the programmed voltage or current. To avoid a possible shock hazard, always turn off all power before connecting or disconnecting cables to the Source Measure Unit or the associated test fixture.

#### NOTE

Because of the connection convention used,  $I_E$  and  $V_{CE}$  must be programmed for opposite polarity than normal. With an NPN transistor, for example, both  $V_{CE}$  and  $I_E$  must be negative.

**SECTION 3**  
**Bipolar Transistor Tests**

```
10  REM SEARCH METHOD DC CURRENT GAIN TEST PROGRAM REV. 1.3 (Program 6A)
20  Iterations=20          ! Define number of iterations
30  N=0                    ! Iteration counter
40  CLEAR 7                ! Clear both Units
50  OUTPUT KBD;CHR$(255);CHR$(75); ! Clear screen
60  REM ***** Unit 1 setup (sources Ib) *****
70  REMOTE 716             ! Put Unit 1 in remote
80  OUTPUT 716;"F1,0X"    ! Source I, DC mode
90  OUTPUT 716;"L1,1X"    ! 1V compliance, 1.1V range
100 OUTPUT 716;"00Z0X"    ! Local sense,suppress off
110 OUTPUT 716;"T1,0,0,0X" ! GET trigger,continuous
120 Dly=2000              ! Define 2sec Unit delay
130 INPUT "Enter maximum base current",Ib1 ! Input max search Ib
140 INPUT "Enter minimum base current",Ib2 ! Input min search Ib
150 Ib=(Ib1-Ib2)/2+Ib2    ! Compute start Ib
160 INPUT "Enter target Ic value",Itarget ! Input target Ic
170 REM ***** Unit 2 setup (sources Vce, measures Ic) *****
180 REMOTE 717            ! Put Unit 2 in remote
190 OUTPUT 717;"F0,0X"    ! Source V, DC mode
200 OUTPUT 717;"00M128,0X" ! Local sensing,SRQ.
210 OUTPUT 717;"L100E-3,0X" ! 100mA compliance,autorange measure
220 OUTPUT 717;"G4,2,0Z0X" ! Measure,no prefix,DC data,suppress off
230 OUTPUT 717;"T1,0,0,0X" ! Trigger on GET,continuous
240 INPUT "Enter Vce",Vce ! Input Vce
250 OUTPUT 717;"B";Vce;"",0,"";Dly;"X" ! Program DC,autorange,delay
260 PRINT "Close lid, press CONT to begin test"
270 PAUSE
280 OUTPUT 716;"R1N1X"    ! Arm Unit 1 trigger,turn on output
290 OUTPUT 717;"R1N1X"    ! Arm Unit 2 trigger,turn on output
300 PRINT "Measuring..."
310 TRIGGER 716           ! Trigger Unit 1
320 TRIGGER 717           ! Trigger Unit 2
330 N=N+1                 ! Increment iteration counter
340 IF N>Iterations THEN ! Check for maximum iterations
350 BEEP
360 PRINT "More than";Iterations;"iterations"
370 STOP
380 END IF
390 OUTPUT 716;"B";Ib;"",0,"";Dly;"X" ! Program Ib
400 WAIT Dly/1000+1       ! Wait for settling
410 Stat=SPOLL(717)       ! Serial poll Unit 2
420 IF BIT(Stat,7) THEN   ! Check for over compliance
430 BEEP
440 PRINT "Unit 2 is over current compliance"
450 STOP
460 END IF
470 ENTER 717;Ic          ! Get Ic reading from Unit 2
480 IF Ic>1.05*Itarget THEN ! Check for Ic > target
490 Ib1=Ib
500 Ib=Ib-(Ib-Ib2)/10
```

```

510  GOTO 330
520  END IF
530  IF Ic<.95*Itarget THEN          ! Check for Ic < target
540  Ib2=Ib
550  Ib=Ib+(Ib1-Ib)/10
560  GOTO 330
570  END IF
580  OUTPUT 716;"N0X"                ! Turn off Unit 1 output
590  OUTPUT 717;"N0X"                ! Turn off Unit 2 output
600  PRINT "Current gain (@ Ib=";Ib;"Ic=";Ic;"):";Ic/Ib ! Display current gain
610  END

```

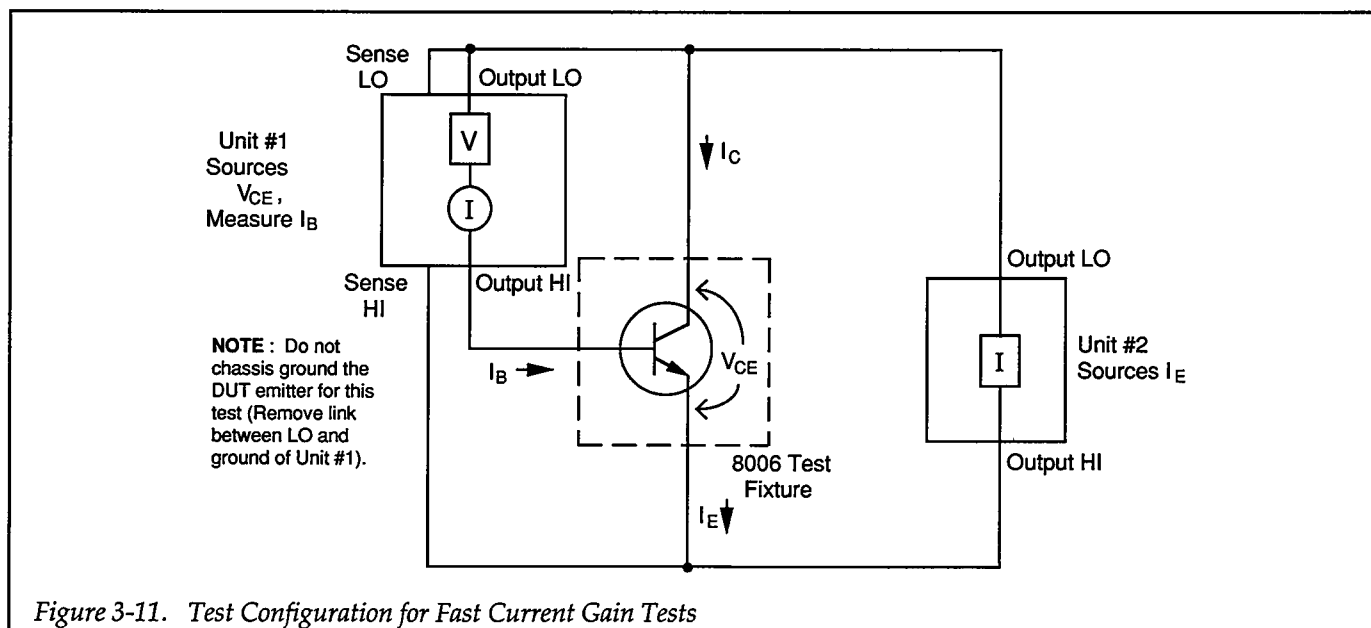


Figure 3-11. Test Configuration for Fast Current Gain Tests

### 3.6.9 Program 6B: Dc Current Gain Using Fast Method

Use Program 6B below to demonstrate the fast method of measuring current gain of bipolar transistors. Proceed as follows:

1. With the power off, connect both Model 236 Source Measure Units to the IEEE-488 bus of the computer.
2. Connect the test fixture to both units using appropriate triax cables (see Figure 3-1 and Figure 3-11 for details on instrument and test fixture connections). Note that OUTPUT HI of Unit #1 is connected to the base of the DUT, while SENSE HI of Unit #1 is connected to the emitter.
3. Turn on both Source Measure Units, and allow them to warm up for at least two hours for rated accuracy. Be sure that the primary address of Unit #1 is set to 16, and that the primary address of Unit #2 is set to 17.
4. Turn on the computer, then boot up BASIC.
5. Enter the lines below into the computer
6. Install a small-signal NPN silicon transistor such as a 2N3904 or 2N5089 in the desired test fixture socket. Install the required jumpers (use Figure 3-11 as a guide), then close the test fixture lid.
7. RUN the program as usual. The emitter current will be swept between 1mA and 10mA at 1mA incre-

ments. At each  $I_E$  value, the base current will be measured by Unit #1.

8. After the parameters are measured, the computer will request the test data from the units, and the emitter current and gain values will be displayed on the computer CRT. Note that the program reverses the polarity of the emitter currents in order to display true polarity.

### 3.6.10 Program 6B Description

For the following description, refer to the flowchart shown in Figure 3-12 and the Program 6B listing shown below.

Initially, both units are returned to default conditions (line 20). Unit #1, which sources  $V_{CE}$  and measures  $I_B$ , is set up as follows (lines 50-130):

- Source V, sweep mode
- 1mA compliance, autorange measure
- Remote sense
- External trigger, source phase start, output trigger end of measure
- Measure only data format, no prefix or suffix, sweep data
- 10msec delay
- Constant sweep mode,  $V_{CE} = -10V$ , constant sweep with 10 points.

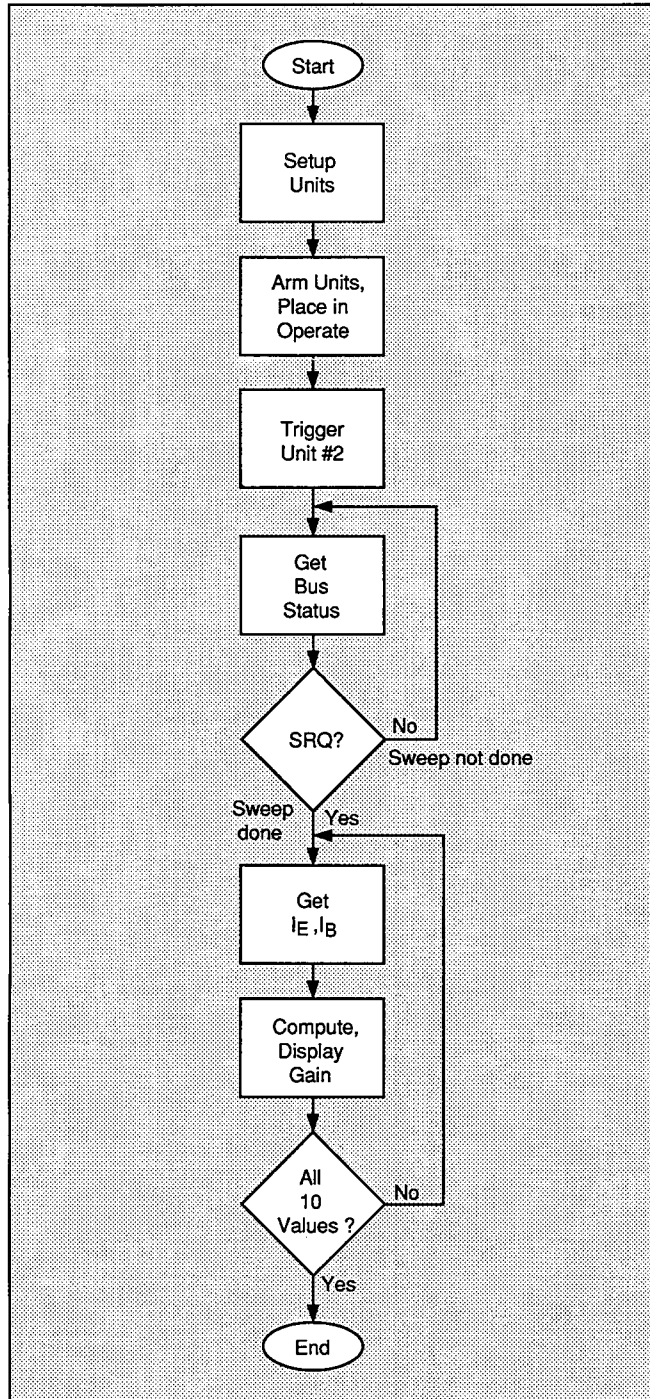


Figure 3-12. Program 6B Flowchart

Following Unit #1 setup, Unit #2, which sources  $I_E$ , is configured as follows (lines 150 -260):

- Source I, sweep mode
- Local sense
- 11V compliance, 11V range
- Source only data format, no prefix, sweep data output
- External trigger, start source phase, trigger out end of delay
- SRQ on sweep done
- Start current:  $-1\text{mA}$
- Stop current:  $-10\text{mA}$
- Step current:  $-1\text{mA}$
- 10msec delay
- Staircase sweep mode

Once the operator signals to continue the program (lines 270 and 280), both Source Measure Unit triggers are armed and the units are placed into operate (lines 290 and 300). Next, Unit #2 is triggered to start the sweep (line 310), and the program enters a loop to wait for SRQ on sweep done (lines 330 and 340).

When the SRQ occurs, Unit #2 is serial polled in order to clear the SRQ (line 340), and both units are placed into standby (lines 350 and 360). The  $I_B$  and  $I_E$  values are requested (lines 410 and 420), and the current gain for each set of values is computed and displayed (line 430).

### 3.6.11 Modifying Program 6B

As written, the range of emitter current values is between  $-1\text{mA}$  and  $-10\text{mA}$  at  $-1\text{mA}$  increments. You can, of course, modify these values as required. Additional program modifications may be required if these parameters are changed. You could also add graphing capabilities to the program to plot current gain as a function of collector current by modifying the plotting routines from one of the other applications programs in this manual.

**SECTION 3**  
**Bipolar Transistor Tests**

```

10  REM HIGH-SPEED DC CURRENT GAIN TEST PROGRAM REV. 1.3 (Program 6B)
20  CLEAR 7                                ! Clear both Units
30  OUTPUT KBD;CHR$(255);CHR$(75);        ! Clear screen
40  REM ***** Unit 1 setup (sources Vce, measures Ib) *****
50  REMOTE 716                              ! Put Unit 1 in remote
60  OUTPUT 716;"F0,1X"                      ! Source V, sweep mode
70  OUTPUT 716;"L1E-3,0X"                  ! 1mA compliance, autorange measure
80  OUTPUT 716;"01Z0X"                      ! Remote sense,suppress off
90  OUTPUT 716;"T3,1,4,0X"                 ! External trigger, out trig end of meas
100 OUTPUT 716;"G4,2,1X"                   ! Measure only,no prefix,sweep data
101 OUTPUT 716;"B0,0,0X"                   ! Program 0 bias value
110 Vce=-10                                ! Define -10V Vce
120 Dly=10                                  ! Define 10msec delay
130 OUTPUT 716;"Q0,,";Vce;",";Dly;",";10X" ! Program fixed sweep, 10 points
140 REM ***** Unit 2 setup (sources Ie) *****
150 REMOTE 717                              ! Put Unit 2 in remote
160 OUTPUT 717;"F1,1X"                      ! Source I, sweep mode
170 OUTPUT 717;"00Z0X"                      ! Local sensing,suppress off
180 OUTPUT 717;"L11,2X"                    ! 11V compliance, 11V range
190 OUTPUT 717;"G1,2,1X"                   ! Source,no prefix,sweep data
200 OUTPUT 717;"T3,1,2,0X"                 ! External trigger, out trig end of delay
210 OUTPUT 717;"M2,X"                       ! SRQ on sweep done
215 OUTPUT 717;"B0,0,0X"                   ! Program 0 bias value
220 Istart=-1.E-3                           ! Define -1mA start Ie current
230 Istop=-1.0E-2                           ! Define -10mA stop Ie current
240 Istep=-1.E-3                             ! Define -1mA step Ie current
250 Dly=10                                  ! Define 10msec delay
260 OUTPUT 717;"Q1,,";Istart;",";Istop;",";Istep;",";Dly;"X"
270 PRINT "Close lid, press CONT to begin test"
280 PAUSE
290 OUTPUT 716;"R1N1X"                      ! Arm Unit 1 trigger,turn on output
300 OUTPUT 717;"R1N1X"                      ! Arm Unit 2 trigger,turn on output
310 OUTPUT 717;"H0X"                        ! Trigger Unit 2 to start sweep
320 STATUS 7,7;Stat                          ! Get bus status
330 IF NOT BIT(Stat,10) THEN 320             ! Wait for SRQ
340 Stat=SPOLL(717)                          ! Serial poll Unit 2 to clear SRQ
350 OUTPUT 716;"N000X"                      ! Turn off Unit 1 output,local sense
360 OUTPUT 717;"N0X"                        ! Turn off Unit 2 output
370 PRINT "Ie","GAIN"
380 PRINT "-----"
390 PRINT
400 FOR I=1 TO 10
410 ENTER 716;Ib                             ! Get base current from Unit 1
420 ENTER 717;Ie                             ! Get emitter current from Unit 2
430 PRINT -Ie,(-Ie-Ib)/Ib                   ! Compute/display gain
440 NEXT I
450 END

```

### 3.6.12 Program 7: Ac Current Gain

#### NOTE

For the sake of simplicity, this program does not include the iterative search algorithm included in Program 6A. To test at a specific  $I_C$  value, first use Program 6A to determine the base current at that target value, and enter  $I_B$  values slightly above and below when prompted to do so in Program 7.

1. With the power off, connect both Model 236 Source Measure Units to the IEEE-488 bus of the computer.
2. Connect the test fixture to both units using appropriate triax cables (see Figure 3-1 and Figure 3-9 for details on test connections).
3. Turn on both Source Measure Units, and allow them to warm up for at least two hours for rated accuracy. Be sure that the primary address of Unit #1 is set to 16, and that the primary address of Unit #2 is set to 17.
4. Turn on the computer, then boot up BASIC.
5. Enter the lines below into the computer
6. Install a small-signal NPN silicon transistor in the desired test fixture socket. Install the required jumpers, then close the test fixture lid.
7. RUN the program, and follow the prompts on the screen. You will be prompted to enter two base current values and then the desired value of  $V_{CE}$ . When entering the base current, keep the two values as close together as possible so that the device remains in its linear operating region. A change in  $I_B$  of about 20% from one value to another would be a good starting point.
8. Once the parameters are entered, the units will be programmed accordingly, and both the collector currents of the device (one at each base current value) will be measured. The ac current gain of the device will then be displayed on the computer CRT.

### 3.6.13 Typical Program 7 Results

The differential current gain obtained for a given sample of a 2N5089 NPN transistor would typically be about the same as the dc current gain—about 500. Again, values could range from a low of 300—to a high of 800 or so.

### 3.6.14 Program 7 Description

For the following description, refer to the flowchart shown in Figure 3-13 and the Program 7 listing shown below.

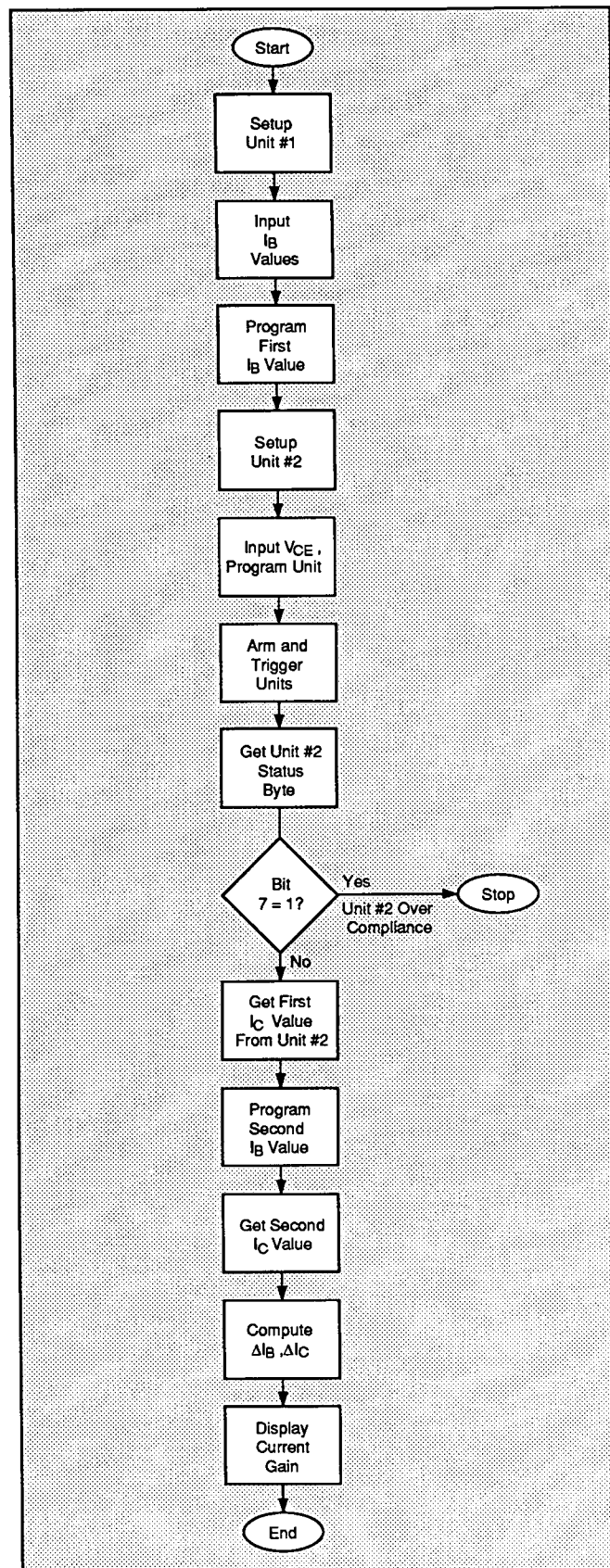


Figure 3-13. Program 7 Flowchart

After both units are returned to default conditions (line 20), Unit #1 is set up as follows (lines 50-120):

- Source I, dc mode
- 1V compliance, 1.1V range
- Local sense
- GET trigger, continuous
- Dc current mode,  $I_B$  values determined by user input

Following Unit #1 setup, Unit #2 is configured as follows (lines 140-200):

- Source V, dc mode
- Local sense
- 100mA compliance
- Source only data format, no prefix, dc data output
- Trigger on GET, continuous
- Two-second source-measure delay
- Dc voltage, value determined by user-input  $V_{CE}$  value

Once the operator signals to continue the program (lines 230 and 240), both Source Measure Unit triggers are armed and the units are placed into operate (lines 250 and 260). Next, the units are triggered (lines 280 and 290), and

the status byte is obtained from Unit #2 (line 310). Bit 7 in the status byte is then checked (lines 320-350) to see if it is set. If so, Unit #2 is over compliance, the operator is then notified, and the program is halted.

Assuming no error, the value of  $I_{C1}$  is requested (line 370), and Unit #1 is programmed with the second base current value,  $I_{B2}$  (line 380). The second collector current,  $I_{C2}$ , is then requested from the unit (line 400), and  $\Delta I_B$  and  $\Delta I_C$  are then computed (lines 410 and 420). Both units are placed into standby (lines 430 and 440), and, finally, the differential current gain is calculated and displayed (line 450).

### 3.6.15 Modifying Program 7

As with the dc current gain, ac current gain is often tested at specific values of  $I_C$ . Again, a search algorithm similar to the one in Program 6A could be added to the program. Such an algorithm would allow you to enter the desired collector current values, and it would then perform an iterative search to automatically determine the two correct base current values that would result in the desired collector currents.



```

10  REM DIFFERENTIAL CURRENT GAIN TEST PROGRAM REV. 1.3 (Program 7)
20  CLEAR 7                                ! Clear both Units
30  OUTPUT KBD;CHR$(255);CHR$(75);        ! Clear screen
40  REM ***** Unit 1 setup (sources Ib) *****
50  REMOTE 716                              ! Put Unit 1 in remote
60  OUTPUT 716;"F1,0X"                      ! Source I, DC mode
70  OUTPUT 716;"L1,1X"                      ! 1V compliance, 1.1V range
80  OUTPUT 716;"00X"                        ! Local sense
90  OUTPUT 716;"T1,0,0,0X"                 ! GET trigger,continuous
100 INPUT "Enter first base current",Ib1 ! Input first base current
110 INPUT "Enter second base current",Ib2 ! Input second base current
120 OUTPUT 716;"B";Ib1;"",0,0X"           ! Program DC value, autorange, delay
130 REM ***** Unit 2 setup (sources Vce, measures Ic) *****
140 REMOTE 717                              ! Put Unit 2 in remote
150 OUTPUT 717;"F0,0X"                      ! Source V, DC mode
160 OUTPUT 717;"00M128,0Z0X"              ! Local sensing,SRQ,suppress off
170 OUTPUT 717;"L100E-3,0X"              ! 100mA compliance,autorange measure
180 OUTPUT 717;"G4,2,0X"                  ! Measure,no prefix,DC data
190 OUTPUT 717;"T1,0,0,0X"               ! Trigger on GET,continuous
200 Dly=2000                                ! Define 2sec Unit 2 delay
210 INPUT "Enter Vce",Vce                  ! Input Vce
220 OUTPUT 717;"B";Vce;"",0,"";Dly;"X"   ! Program DC,autorange,delay
230 PRINT "Close lid, press CONT to begin test"
240 PAUSE
250 OUTPUT 716;"R1N1X"                    ! Arm Unit 1 trigger,turn on output
260 OUTPUT 717;"R1N1X"                    ! Arm Unit 2 trigger,turn on output
270 PRINT "Measuring..."
280 TRIGGER 716                            ! Trigger Unit 1
290 TRIGGER 717                            ! Trigger Unit 2
300 WAIT Dly/1000+1                       ! Settling time
310 Stat=SPOLL(717)                       ! Serial poll Unit 2
320 IF BIT(Stat,7) THEN                   ! Check for over compliance
330 BEEP
340 PRINT "Unit is over current compliance"
350 STOP
360 END IF
370 ENTER 717;Ic1                          ! Get first Ic reading from Unit 2
380 OUTPUT 716;"B";Ib2;"",0,"";Dly;"X" ! Program Unit 1 for second Ib value
390 WAIT 2                                  ! Wait two second for settling
400 ENTER 717;Ic2                          ! Get second Ic reading from Unit 2
410 Delta_ib=ABS(Ib2-Ib1)                  ! Compute delta Ib
420 Delta_ic=ABS(Ic2-Ic1)                  ! Compute delta Ic
430 OUTPUT 716;"N0X"                       ! Turn off Unit 1 output
440 OUTPUT 717;"N0X"                       ! Turn off Unit 2 output
450 PRINT "Differential current gain=";Delta_ic/Delta_ib ! Display gain
460 END

```

### 3.7 TRANSISTOR LEAKAGE CURRENT

Leakage currents, such as  $I_{CBO}$  (collector-base, emitter open) and  $I_{CEO}$  (collector-emitter, base open) can be tested using a single Source Measure Unit. The following paragraphs discuss  $I_{CEO}$  tests and also include an example program for making such tests.

#### 3.7.1 Test Configuration

Figure 3-14 shows the basic test configuration for performing  $I_{CEO}$  tests. Note that only one Source Measure Unit is required to make such tests. The Source Measure Unit sources the collector-emitter voltage,  $V_{CEO}$ , and the instrument also measures  $I_{CEO}$ . Often,  $V_{CEO}$  is swept across the desired range of values, and the resulting  $I_{CEO}$  values are plotted against  $V_{CEO}$ , as is the case with the example program included in this section.

The base of the transistor should be left open. The same general circuit configuration can be used to measure  $I_{CBO}$ ; connect the Source Measure Unit between the collector and base, and leave the emitter open instead.

Breakdown tests can also be performed using the same  $I_{CEO}$  circuit setup. In this case, the Source Measure Unit is used to source  $I$  and measure the breakdown voltage,  $V$ , in order to better control device power at breakdown.

#### 3.7.2 Program 8: $I_{CEO}$ Test

Use Program 8 below to run  $I_{CEO}$  tests on bipolar transistors. Follow the steps below to run the program.

1. With the power off, connect the Model 236 Source Measure Unit to the IEEE-488 interface of the computer.
2. Connect the test fixture to the Source Measure Unit using appropriate triax cables (see Figure 2-1 for details on single-unit connections).
3. Turn on the Model 236 Source Measure Unit, and allow the unit to warm up for two hours for rated accuracy. Make sure the primary address of the unit is set to 16.
4. Turn on the computer, and boot up BASIC.
5. Enter the lines below into the computer.
6. Install a small-signal NPN silicon transistor such as a 2N3904 in the appropriate transistor socket of the test fixture. Be certain that the jumpers are properly installed to collector and emitter only (the base terminal should be left open), then close the test fixture lid.
7. RUN the program in the usual manner. The computer will program the unit and run the test on the device.  $V_{CEO}$  will be swept between 0V and 10V in 0.1V increments, and  $I_{CEO}$  will be measured at each  $V_{CEO}$  value. A fixed delay of 100msec is also incorporated into the program. Because of the low current levels involved, line-cycle integration is used to reduce noise levels.
8. Once the sweep has been completed, you will be prompted to press CONT to generate a plot of the

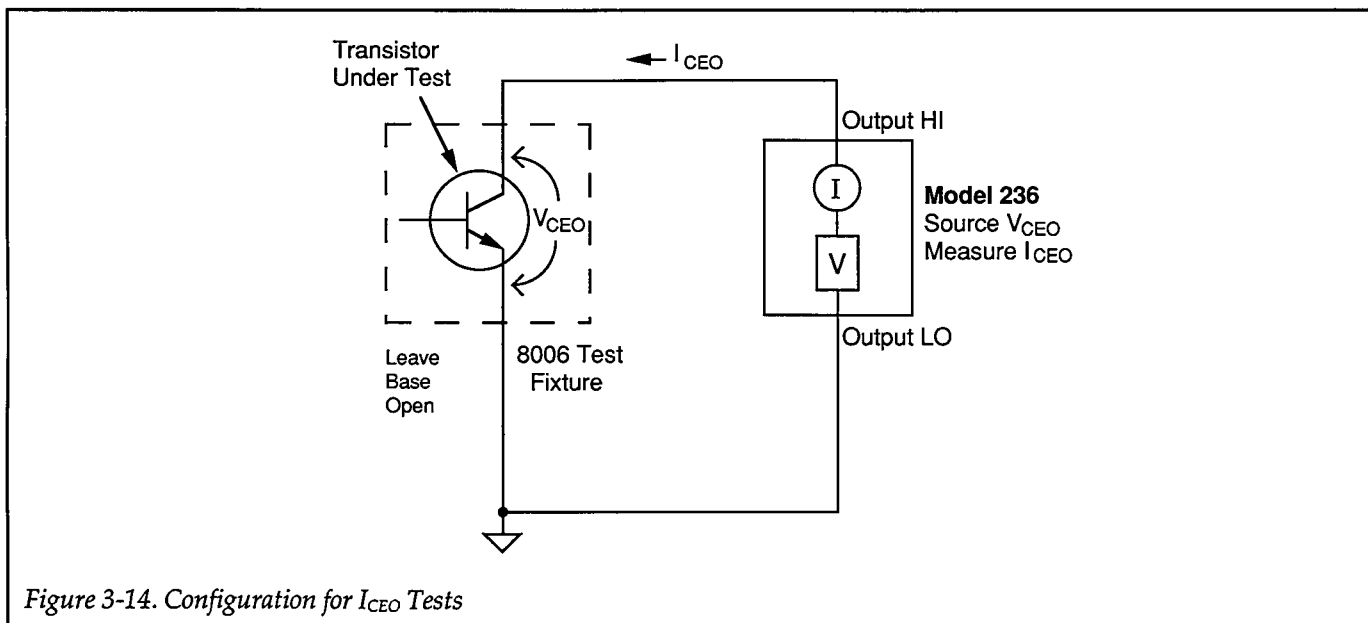


Figure 3-14. Configuration for  $I_{CEO}$  Tests

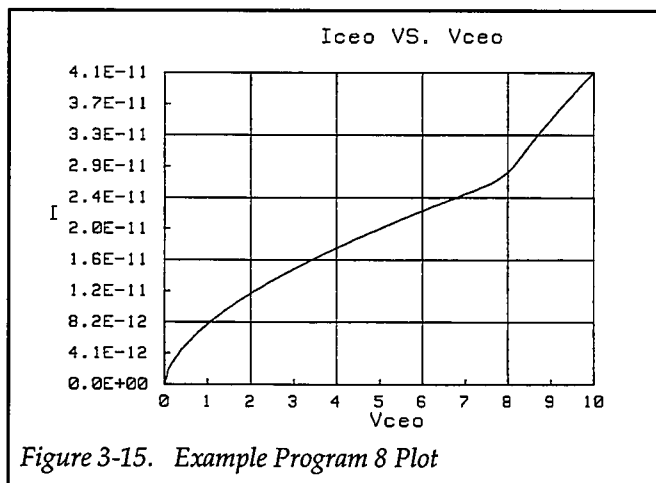
data. A simple  $I_{CEO}$  vs.  $V_{CEO}$  plot will then be displayed on the computer CRT.

9. To return to BASIC from the graph, press CONT.

- Stop  $V_{CEO}$  voltage: 10V
- Step  $V_{CEO}$  voltage: 0.1V
- Staircase sweep mode

### 3.7.3 Typical Program 8 Results

Figure 3-15 shows an example  $I_{CEO}$  vs.  $V_{CEO}$  plot generated by Program 8. The device used for this example was a 2N3904 NPN transistor.



### 3.7.4 Program 8 Description

Refer to Figure 3-16 and the listing below for the following description.

At the start of the program, the array is set up to handle 101 data points with two values for each point (lines 20 and 30). After being cleared (line 40), the Source Measure Unit, which sweeps  $V_{CEO}$  and measures  $I_{CEO}$ , is set up as follows:

- Source V, sweep mode
- Local sense, trigger on GET, continuous
- 10mA compliance, autorange measure
- Source and measure data format, no prefix, sweep data
- SRQ on sweep done
- Line cycle integration
- Suppress on (to null offset current)
- Start  $V_{CEO}$  voltage: 0V

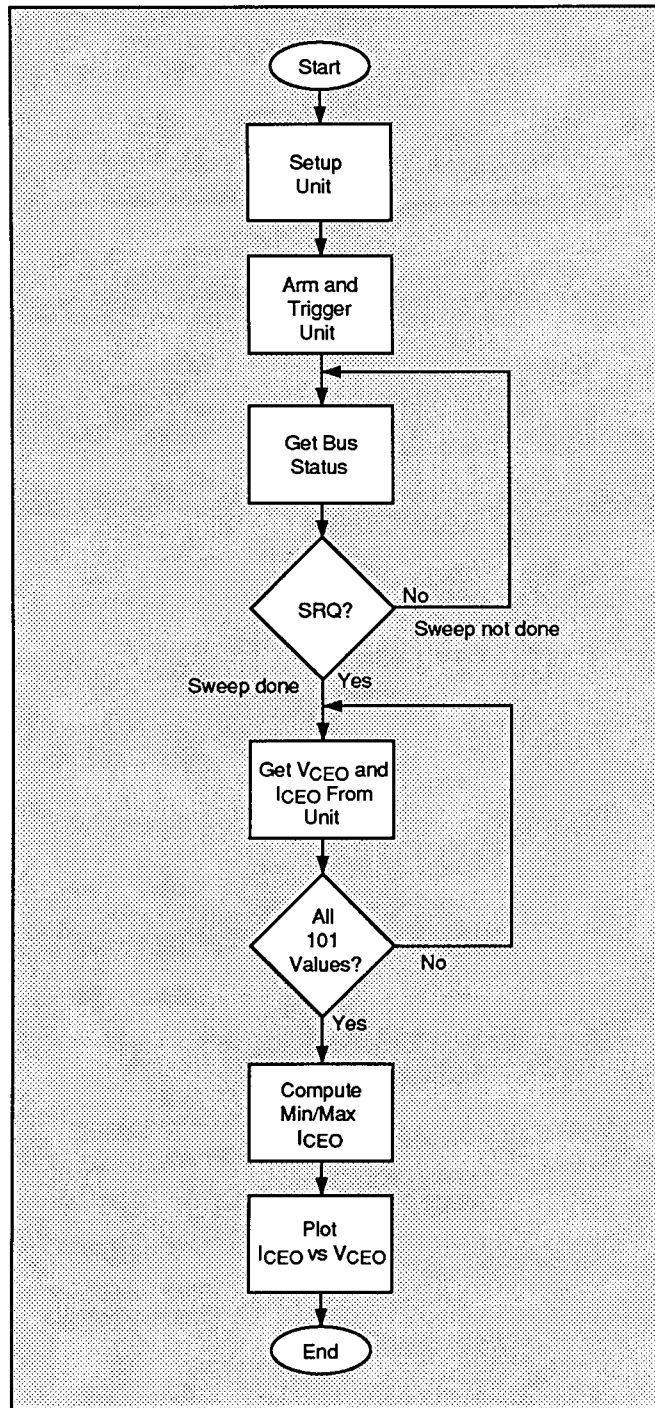


Figure 3-16. Program 8 Flowchart

After the start signal from the operator (lines 190 and 200), the trigger is armed (line 210) and the unit is placed into operate (line 220). Next, the unit is triggered to begin the sweep (line 230), and the program enters a loop waiting for the unit to generate an SRQ on sweep done (lines 250-260).

When the sweep is done, the unit generates the SRQ, the program falls through the loop, and it then serial polls the unit to clear the SRQ (line 270). The unit is placed in standby (line 280), and the program enters a loop to request sweep data from the instrument (lines 290-310). Note that  $V_{CEO}$  values are placed into elements (I,1), and  $I_{CEO}$  values are stored in elements (I,2) of the reading array.

The maximum and minimum  $I_{CEO}$  values are then determined (lines 340-370, and the data is then graphed on the

computer CRT (lines 420-670). A simple plot, scaled to maximum and minimum  $I_{CEO}$  and  $V_{CEO}$  values is generated on the computer CRT.

### **3.7.5 Modifying Program 8**

For different sweep values, simply modify the  $V_{start}$ ,  $V_{stop}$ , and  $V_{step}$  values and source range parameter as appropriate. As an alternative, you can add INPUT statements with appropriate error checking to allow operator input of these parameters.

In order to speed up the test procedure, you may wish to use a faster integration period. Simply change the command string in line 120 as appropriate. Note, however, that changing this parameter may result in unacceptable reading noise.

```

10  REM  BIPOLAR TRANSISTOR LEAKAGE TEST PROGRAM REV. 1.3 (Program 8)
20  OPTION BASE 1                                ! First array subscript is 1
30  DIM Reading(101,2)                          ! Dimension reading array (101 pts.)
40  CLEAR 7                                       ! Clear 236
50  REMOTE 716                                    ! Put 236 in remote
60  OUTPUT KBD;CHR$(255);CHR$(75);              ! Clear screen
70  OUTPUT 716;"F0,1X"                           ! Source V, sweep mode
80  OUTPUT 716;"00T1,0,0,0X"                    ! Local sense, trigger on GET
90  OUTPUT 716;"L10E-3,0X"                      ! 10mA compliance, autorange measure
100 OUTPUT 716;"G5,2,1X"                        ! Source,measure,no prefix,sweep data
110 OUTPUT 716;"M2,X"                           ! SRQ on sweep done
120 OUTPUT 716;"S2X"                            ! Line cycle integration
125 OUTPUT 716;"B0,0,0X"                        ! Program 0 bias value
130 OUTPUT 716;"Z1X"                            ! Enable suppress
140 Vstart=0                                     ! Define 0V start voltage
150 Vstop=10                                    ! Define 10V stop voltage
160 Vstep=.1                                    ! Define 0.1V step voltage
170 Dly=100                                     ! Define 100msec delay value
180 OUTPUT 716;"Q1,";Vstart;",";Vstop;",";Vstep;","0,";Dly;"X" ! Program sweep
190 PRINT "Close lid, press CONT to begin"
200 PAUSE                                       ! Wait to continue
210 OUTPUT 716;"R1X"                            ! Arm trigger
220 OUTPUT 716;"N1X"                            ! Turn on 236 output
230 TRIGGER 716                                 ! Trigger 236
240 PRINT "Waiting for sweep to end"
250 STATUS 7,7;Stat                            ! Get IEEE-488 bus status
260 IF NOT BIT(Stat,10) THEN 250                ! Wait for SRQ on sweep done
270 Stat=SPOLL(716)                             ! Serial poll 236 to clear SRQ
280 OUTPUT 716;"N0X"                            ! Turn off 236 output
290 FOR I=1 TO 101                              ! Loop for all readings
300 ENTER 716;Reading(I,1),Reading(I,2)        ! Get Vceo and Iceo values from Unit
310 NEXT I                                       ! Loop back for next reading
320 Ymin=MAXREAL                                ! Find minimum and maximum Iceo
330 Ymax=-MAXREAL
340 FOR I=1 TO 101
350 IF Reading(I,2)<Ymin THEN Ymin=Reading(I,2)
360 IF Reading(I,2)>Ymax THEN Ymax=Reading(I,2)
370 NEXT I
380 PRINT "Press CONT to display graph"
390 PRINT "Press CONT while in graph to return to BASIC"
400 PAUSE
410 OUTPUT KBD;CHR$(255);CHR$(75);              ! Clear screen
420 GINIT                                       ! Initialize graphics
430 PLOTTER IS CRT,"INTERNAL"                  ! Define plot to CRT
440 GRAPHICS ON                                ! Turn on graphics
450 MOVE 50,90                                  ! Title graph
460 LABEL "Iceo VS. Vceo"
470 MOVE 70,10                                  ! Label X axis
480 LABEL "Vceo"
490 MOVE 5,53                                  ! Label Y axis
500 LABEL "I"

```

**SECTION 3**  
*Bipolar Transistor Tests*

---

```
510 VIEWPORT 30,120,20,85           ! Define soft clip limits
520 WINDOW Vstart,Vstop,Ymin,Ymax   ! Scale graph
530 Y1=(Ymax-Ymin)/10               ! Compute Y axis increment
540 X1=(Vstop-Vstart)/10            ! Compute X axis increment
550 GRID 2*X1,2*Y1,Vstart,Ymin      ! Draw grid
560 AXES X1,Y1,Vstart,Ymin          ! Add some tick marks
570 PLOT Reading(*)                 ! Plot data
580 CSIZE 4                          ! Define character size
590 LORG 6                           ! Center characters
600 CLIP OFF                         ! Turn off soft clipping
610 FOR I=Vstart TO Vstop+.01*X1 STEP X1 ! Number X axis
620 MOVE I,Ymin-(Y1/4)
630 LABEL USING "#,K";I
640 NEXT I
650 FOR I=Ymin TO Ymax+.01*Y1 STEP Y1 ! Number Y axis
660 MOVE Vstart-(1.3*X1),I+(.3*Y1)
670 LABEL USING "#,MD.DE";I
680 NEXT I
690 PAUSE
700 OUTPUT KBD;CHR$(255);CHR$(75);   ! Clear alpha screen
710 GRAPHICS OFF                     ! Clear graphics screen
720 END
```

# SECTION 4

## FET Tests

### 4.1 INTRODUCTION

FET tests discussed in this section include: tests to generate common-source characteristic curves, and transconductance tests. Example programs for each of these applications are also included.


and, once again, the Model 8006 test fixture is recommended for connections to the FET under test.

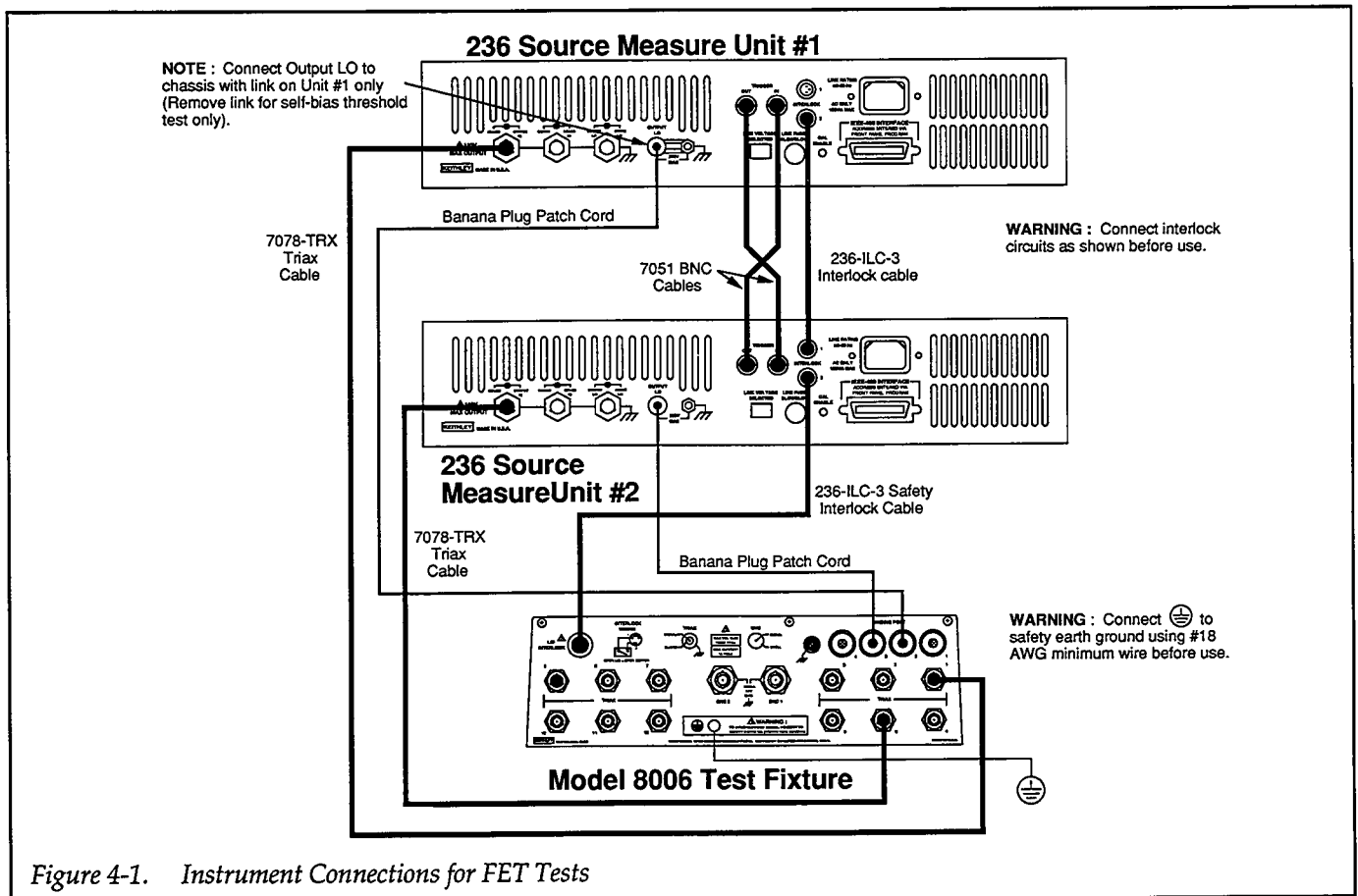
A Model 7078-TRX-3 triax cables are recommended to make instrument-to-test fixture connections. In addition, the safety interlock connecting cable must be connected as shown.

### 4.2 INSTRUMENT CONNECTIONS

Figure 4-1 shows the instrument connections for the FET tests outlined in this section. Note that these connections are essentially identical to the connections used for the bipolar transistor tests discussed in Section 3. Two Model 236/237 Source Measure Units are required for the tests,

#### WARNING

Lethal voltages may be exposed when the test fixture lid is open. To avoid a possible shock hazard, the safety interlock circuit must be connected as shown in Figure 4-1 before use. Connect the fixture  screw to safety earth ground using #18 AWG minimum wire before use. Turn off all power be-



fore connecting or disconnecting wires or cables

### 4.3 JUMPER INSTALLATION FOR FET TESTS

Two final connections that must be made are the unit trigger connections. Connect the TRIGGER OUT jack of Unit #1 to the TRIGGER IN jack of Unit #2, and connect the TRIGGER OUT jack of Unit #2 to the TRIGGER IN jack of Unit #1. Use standard BNC-to-BNC cables such as the Model 7051 to make these connections.

Figure 4-2 shows jumper installation for the transistor tests. The FET itself should be placed in the appropriate four-terminal TO package socket, and the jumper connections should be made between the instrument panel jacks and the jacks on the component panel. Note that local sensing is used for most applications, so jumpers should be connected as shown.

#### NOTES

### 4.4 COMMON-SOURCE CHARACTERISTICS

1. Remote sensing connections are recommended for optimum accuracy. See paragraph 1.2.2 for details.
2. If measurement noise is a problem, or for critical, low-level applications, use shielded cable for all signal connections.
3. The FET test programs use external triggering. If the trigger jacks are not connected as shown, the programs will not function properly.

One of the more common FET tests involving family of curves are common-source characteristics. Such tests are very similar to the common-emitter characteristic tests outlined earlier except, of course, for the fact that an FET rather than a bipolar transistor is involved.

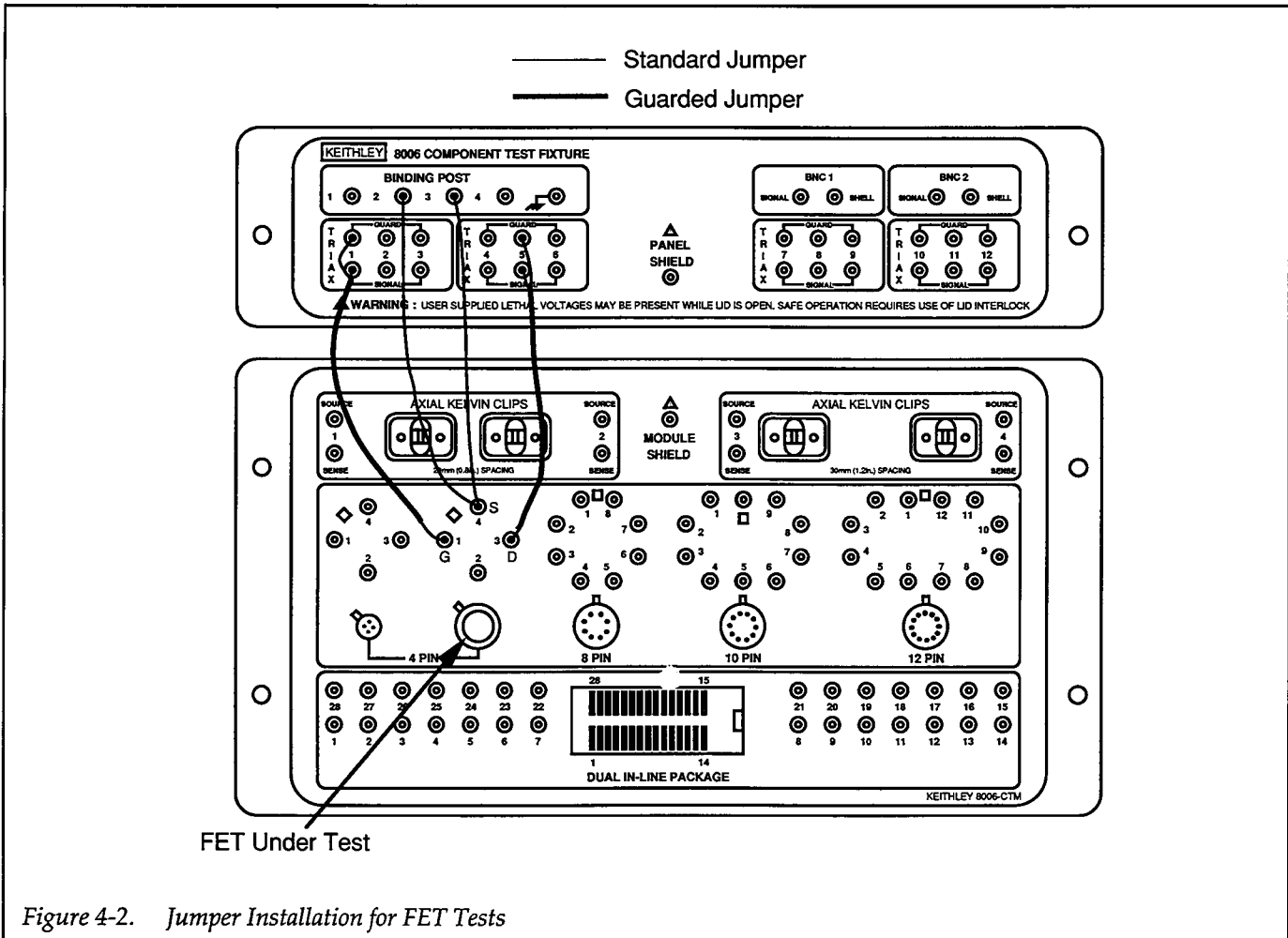


Figure 4-2. Jumper Installation for FET Tests



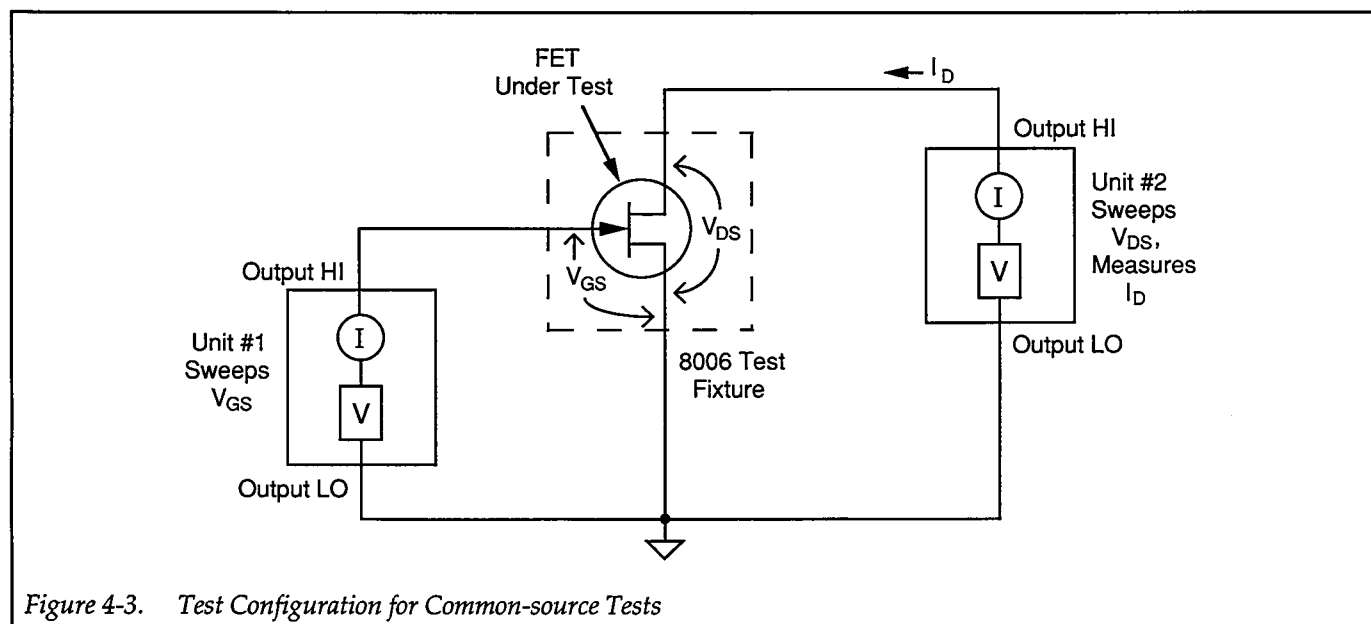


Figure 4-3. Test Configuration for Common-source Tests

Test data for common-source characteristics are obtained by sweeping the gate-source voltage,  $V_{GS}$ , across the desired range of values at specific increments. At each  $V_{GS}$  value, the drain-source voltage,  $V_{DS}$  is swept through the required range, once again at the desired increments. At each  $V_{DS}$  value, the drain current,  $I_D$ , is measured. Plots made from this data show  $I_D$  vs.  $V_{DS}$  with one curve for each value of  $V_{GS}$ .

#### 4.4.1 Test Configuration

Figure 4-3 shows the test configuration for the common-source tests. Unit #1 sweeps  $V_{GS}$ , while Unit #2 sweeps  $V_{DS}$ , and the instrument also measures  $I_D$ . For this programming example, a small-signal, N-channel JFET such as a 2N4392 is recommended.

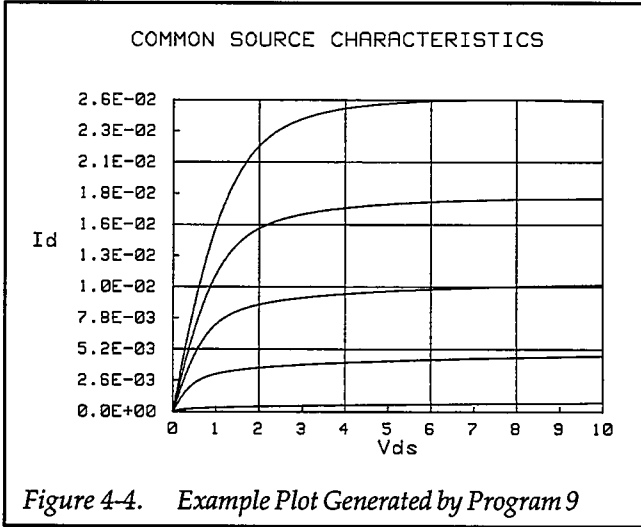
#### 4.4.2 Program 9: Common-source Characteristics

Program 9 below outlines general programming techniques for measuring common-source characteristics. Follow the steps outlined below to use this program.

1. With the power off, connect both Source Measure Units to the IEEE-488 bus of the computer.
2. Connect both Source Measure Units to the test fixture using suitable triax cables (see Figure 4-1 for details on test connections).
3. Turn on both units, and allow them to warm up for at least two hours for rated accuracy. Verify that the primary address of Unit #1 is set to 16; the primary address of Unit #2 should be set to 17.
4. Turn on the computer, then boot up BASIC.
5. Enter the lines from Program 9 below into the computer.
6. Place a small-signal N-channel JFET such as a 2N4392 in the appropriate transistor socket. Install the correct jumpers, then close the test fixture lid.
7. RUN the program in the usual fashion. The computer will step through  $V_{GS}$  values between  $-2V$  and  $0V$  using  $0.5V$  steps. At each  $V_{GS}$  step,  $V_{DS}$  will be stepped between  $0V$  and  $10V$  at  $0.1V$  increments. At each increment,  $I_D$  will be measured. Once data are collected, a plot of  $I_D$  vs.  $V_{DS}$  for each  $V_{GS}$  value will be displayed.
8. To return to BASIC from the graph, press CONT.

### 4.4.3 Typical Program 9 Results

Figure 4-4 shows a typical plot generated by example Program 9. A 2N4392 N-channel JFET was used to generate these curves.



### 4.4.4 Program 9 Description

For the following description, refer to the Program 9 listing and the flowchart shown in Figure 4-5.

Initially, the array is set up for five sweeps of 101 data points each (lines 20 and 30), and the units are returned to default conditions (line 40). Next, Unit #1, which sweeps  $V_{GS}$ , is programmed as follows (lines 70-160):

- Source V, sweep mode
- 1mA compliance, 1mA range
- Local sense
- GET trigger, one trigger per point, output trigger end of delay
- Start  $V_{GS}$  voltage: -2V
- Stop  $V_{GS}$  voltage: 0V
- Step  $V_{GS}$  voltage: 0.5V
- Delay: 100msec
- Staircase sweep

Following Unit #1 setup, Unit #2, which sweeps  $V_{DS}$  and measures  $I_D$ , is configured as follows (lines 180-300):

- Source V, sweep mode
- Local sensing
- 100mA compliance, autorange measure

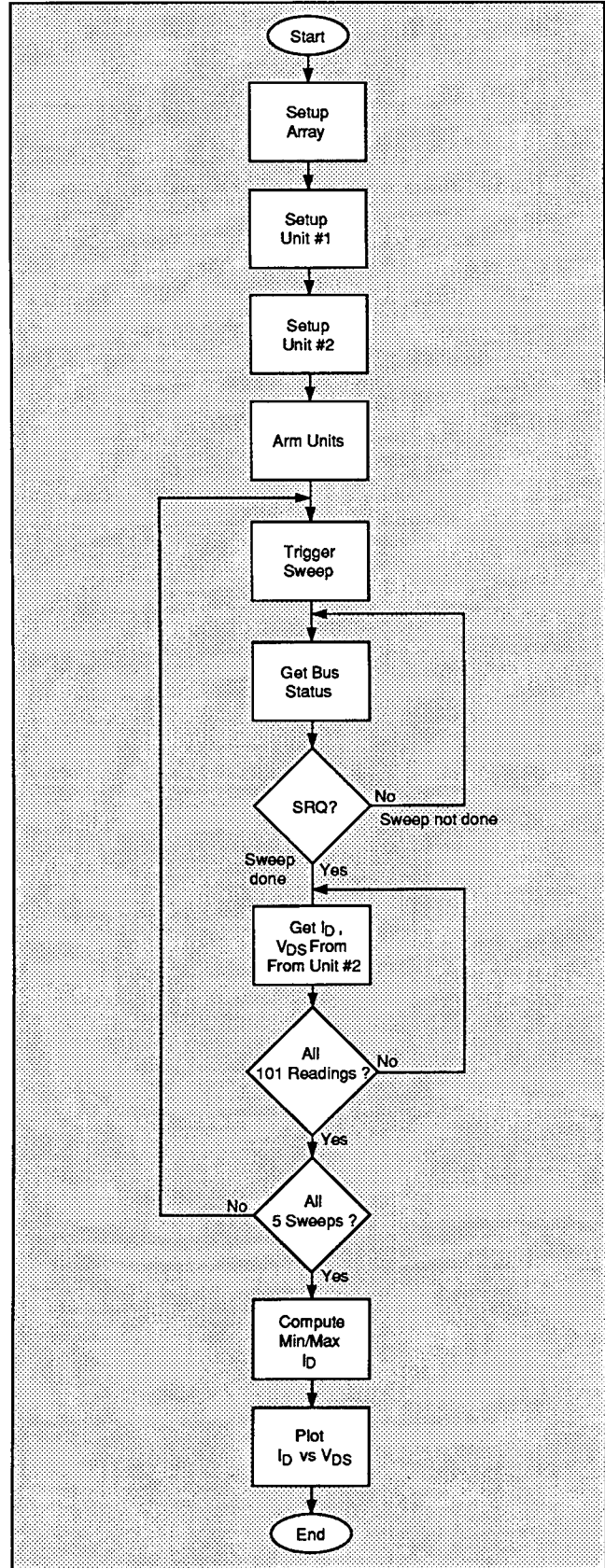


Figure 4-5. Program 9 Flowchart

- Source, measure data format, no prefix, sweep data output
- SRQ on sweep done
- External trigger, continuous
- Start  $V_{DS}$  voltage: 0V
- Stop  $V_{DS}$  voltage: 10V
- Step  $V_{DS}$  voltage: 0.1V
- Suppress enabled
- Line cycle integration
- Staircase sweep

Following setup of both units, the operator is prompted to begin the test (lines 310 and 320), and both units are armed and placed into operate (lines 330 and 340). Next, the program enters a loop to perform  $I_D$  vs.  $V_{DS}$  sweeps, one sweep for each value of  $V_{GS}$  (line 330).

Program 9 uses subordinate-sweep triggering to sequence through the sweeps. At the start of the main program loop, Unit #1 is GET triggered (line 370), at which point it sets its output to the current  $V_{GS}$  voltage step in the sweep list. At the end of the programmed delay period, Unit #1 outputs a trigger pulse that triggers Unit #2 via its external trigger input. Once triggered, Unit #2 goes through its sweep list of  $V_{DS}$  values, measuring and storing  $I_D$  along the way. Since suppress is enabled, the first reading of each sweep (at  $V_{DS} = 0V$ ) will be stored as the suppress value, nulling any offset.

While the sweep is being processed, the program enters a loop that waits for an SRQ to occur (lines 380 and 390). Af-

ter Unit #2 finishes its sweep, it generates the SRQ, and the program falls out of the loop and requests data from Unit #2 (lines 410-430). Note that  $V_{DS}$  data are placed into array elements (I,J,1), and measured  $I_D$  data are placed into array elements (I,J,2). Once data input has been completed, the program loops back to perform the next sweep (line 440). After all five sweeps are completed, both Source Measure Units are placed into standby (lines 450 and 460).

Next, an array search is performed to determine the maximum and minimum measured values of  $I_D$  (lines 500-570). Finally, the data are plotted with  $I_D$  along the Y axis, and  $V_{DS}$  along the X axis. Note that the graph is scaled according to the maximum and minimum  $V_{DS}$  values (X axis), and the maximum and minimum  $I_D$  values (Y axis).

#### 4.4.5 Modifying Program 9

For other  $V_{GS}$  values, simply modify the  $Vgstart$ ,  $Vgstop$ , and  $Vgstep$  variables as required (or use INPUT statements). For values that result in more or less than five sweeps, additional modifications to array size and corresponding loop counters must also be made.

Similarly,  $V_{DS}$  can be swept over a different range by changing the  $Vdstart$ ,  $Vdstop$ , and  $Vdstep$  variables to the desired values (or, again add INPUT statements). The same general considerations regarding program modifications for array size and loop counter values also apply.

**SECTION 4**  
**FET Tests**

```

10  REM COMMON SOURCE CHARACTERISTIC TEST PROGRAM REV. 1.3 (Program 9)
20  OPTION BASE 1                      ! First array subscript is 1
30  DIM Reading(5,101,2)                ! Dimension reading array (5 swps,101 pts)
40  CLEAR 7                              ! Clear both Units
50  OUTPUT KBD;CHR$(255);CHR$(75);      ! Clear screen
60  REM ***** Unit 1 setup (sweeps Vgs) *****
70  REMOTE 716                          ! Put Unit 1 in remote
80  OUTPUT 716;"F0,1X"                   ! Source V, sweep mode
90  OUTPUT 716;"L1E-3,7X"                ! 1mA compliance, 1mA range
100 OUTPUT 716;"00X"                     ! Local sense
110 OUTPUT 716;"T1,1,2,0X"               ! GET trigger cycle,out trig end of delay
115 OUTPUT 716;"B0,0,0X"                 ! Program 0 bias voltage
120 Vgstart=-2                           ! Define -2V start Vgs voltage
130 Vgstop=0                              ! Define 0V stop Vgs voltage
140 Vgstep=.5                             ! Define 0.5V step Vgs voltage
150 Dly=i00                               ! Define 100msec Unit delay
160 OUTPUT 716;"Q1,";Vgstart;",";Vgstop;"",";Vgstep;"",0,";Dly;"X" ! Pgm swp
170 REM ***** Unit 2 setup (sweeps Vds, measures Id) *****
180 REMOTE 717                          ! Put Unit 2 in remote
190 OUTPUT 717;"F0,1X"                   ! Source V, sweep mode
200 OUTPUT 717;"00X"                     ! Local sensing
210 OUTPUT 717;"L100E-3,0X"              ! 100mA compliance,autorange measure
220 OUTPUT 717;"G5,2,1X"                 ! Source,measure,no prefix,sweep data
230 OUTPUT 717;"M2,X"                    ! SRQ on sweep done
240 OUTPUT 717;"T3,0,0,0X"               ! Trigger on external,continuous
245 OUTPUT 717;"B0,0,0X"                 ! Program 0 bias value
250 OUTPUT 717;"Z1X"                     ! Enable suppress
260 OUTPUT 717;"S2X"                     ! Line cycle integration
270 Vdstart=0                             ! Define 0V start Vds
280 Vdstop=10                             ! Define 10V stop Vds
290 Vdstep=.1                             ! Define 0.1V step Vds
300 OUTPUT 717;"Q1,";Vdstart;"",";Vdstop;"",";Vdstep;"",0,";Dly;"X" ! Pgm swp
310 PRINT "Close lid, press CONT to begin test"
320 PAUSE
330 OUTPUT 716;"R1N1X"                    ! Arm Unit 1 trigger,turn on output
340 OUTPUT 717;"R1N1X"                    ! Arm Unit 2 trigger, turn on output
350 FOR I=1 TO 5                          ! Loop for five Vgs curves
360 PRINT "Generating sweep";I
370 TRIGGER 716                          ! Trigger Unit 1
380 STATUS 7,7;Stat                       ! Get IEEE-488 bus status
390 IF NOT BIT(Stat,10) THEN 380          ! Wait for Unit 2 SRQ on sweep done
400 Stat=SPOLL(717)                       ! Serial poll Unit 2 to clear SRQ
410 FOR J=1 TO 101                        ! Loop for all 101 readings
420 ENTER 717;Reading(I,J,1),Reading(I,J,2)! Get Vds and Id data from Unit 2
430 NEXT J                                 ! Loop back for next reading
440 NEXT I                                 ! Loop back for next Vgs value
450 OUTPUT 716;"N0X"                      ! Turn off Unit 1 output
460 OUTPUT 717;"N0X"                      ! Turn off Unit 2 output
470 PRINT "Press CONT to display graph"
480 PRINT "Press CONT while in graph to return to BASIC"
490 PAUSE
500 Ymin=MAXREAL                          ! Find minimum and maximum Id value

```

```
510 Ymax=-MAXREAL
520 FOR I=1 TO 5
530 FOR J=1 TO 101
540 IF Reading(I,J,2)<Ymin THEN Ymin=Reading(I,J,2)
550 IF Reading(I,J,2)>Ymax THEN Ymax=Reading(I,J,2)
560 NEXT J
570 NEXT I
580 OUTPUT KBD;CHR$(255);CHR$(75); ! Clear screen
590 GINIT ! Initialize graphics
600 PLOTTER IS CRT,"INTERNAL" ! Define plot to CRT
610 GRAPHICS ON ! Turn on graphics
620 MOVE 20,95 ! Title graph
630 LABEL "COMMON SOURCE CHARACTERISTICS"
640 MOVE 70,10 ! Label X axis
650 LABEL "Vds"
660 MOVE 0,53 ! Label Y axis
670 LABEL "Id"
680 VIEWPORT 30,120,20,85 ! Define soft clip limits
690 WINDOW Vdstart,Vdstop,Ymin,Ymax ! Scale graph
700 Y1=(Ymax-Ymin)/10 ! Compute Y axis increment
710 X1=(Vdstop-Vdstart)/10 ! Compute X axis increment
720 GRID 2*X1,2*Y1,Vdstart,Ymin ! Draw grid
730 AXES X1,Y1,Vdstart,Ymin ! Add some tick marks
740 FOR I=1 TO 5 ! Loop for all five curves
750 FOR J=1 TO 101 ! Loop for all 101 points per curve
760 PLOT Reading(I,J,1),Reading(I,J,2) ! Plot point
770 NEXT J ! Plot next point
780 PENUP ! Raise pen
790 NEXT I ! Plot next curve
800 CSIZE 4 ! Define character size
810 LONG 6 ! Center characters
820 CLIP OFF ! Turn off soft clip
830 FOR I=Vdstart TO Vdstop+.01*X1 STEP X1 ! Number X axis
840 MOVE I,Ymin-(Y1/4)
850 LABEL USING "#,K";I
860 NEXT I
870 FOR I=Ymin TO Ymax+.01*Y1 STEP Y1 ! Number Y axis
880 MOVE Vdstart-(1.3*X1),I+(.3*Y1)
890 LABEL USING "#,MD.DE";I
900 NEXT I
910 PAUSE
920 OUTPUT KBD;CHR$(255);CHR$(75); ! Clear alpha screen
930 GRAPHICS OFF ! Clear graphics screen
940 END
```

## 4.5 TRANSCONDUCTANCE TESTS

The forward transconductance,  $g_{fs}$ , of an FET is usually measured at a specific frequency (for example 1kHz). Such a test can be simulated with dc values by using as small an incremental change in dc parameters as possible. For example, assume that we source two gate-source voltages,  $V_{GS1}$  and  $V_{GS2}$ , and measure two resulting drain currents,  $I_{D1}$  and  $I_{D2}$ . The forward transconductance can then be approximated as follows:

$$g_{fs} \approx \frac{\Delta I_D}{\Delta V_{GS}}$$

Where:  $g_{fs}$  = forward transconductance (S)

$$\Delta I_D = I_{D2} - I_{D1}$$

$$\Delta V_{GS} = V_{GS2} - V_{GS1}$$

Two common plots involving  $g_{fs}$  include  $g_{fs}$  vs.  $V_{GS}$  and  $g_{fs}$  vs.  $I_D$ . The programming examples included in this section demonstrate how to generate  $g_{fs}$  vs.  $V_{GS}$  and  $g_{fs}$  vs.  $I_D$  plots.

### 4.5.1 Test Configuration

Figure 4-6 shows the general test configuration for transconductance tests. Unit #1 sweeps  $V_{GS}$ , while Unit #2 sources  $V_{DS}$  and also measures  $I_D$ .  $g_{fs}$  values are computed from incremental changes in  $I_D$  and  $V_{GS}$ . Note that a

small-signal N-channel JFET such as a 2N4392 is recommended for use with the example program below.

### 4.5.2 Program 10: Transconductance vs. Gate Voltage Test

Use Program 10 below to generate a typical  $g_{fs}$  vs.  $V_{GS}$  plot.

1. With the power off, connect both Source Measure Units to the IEEE-488 bus of the computer.
2. Connect both Source Measure Units to the test fixture using suitable cables (see Figure 4-1 for details on test connections).
3. Turn on both Source Measure Units, and allow them to warm up for at least two hours for rated accuracy. Verify that the primary address of Unit #1 is set to 16; the primary address of Unit #2 should be set to 17.
4. Turn on the computer, then boot up BASIC.
5. Enter the lines from Program 10 below into the computer.
6. Place a small-signal N-channel JFET such as a 2N4392 in the appropriate transistor socket. Install the correct jumpers, then close the test fixture lid.
7. RUN the program in the usual fashion. The computer will step through  $V_{GS}$  values between  $-2V$  and  $0V$  using  $0.1V$  steps. At each increment,  $I_D$  will be measured using a fixed  $10V$   $V_{DS}$  value is used for the test. Once data are collected, a plot of  $g_{fs}$  vs.  $V_{GS}$  is displayed on the computer CRT.
8. To return to BASIC from the graph, press CONT.

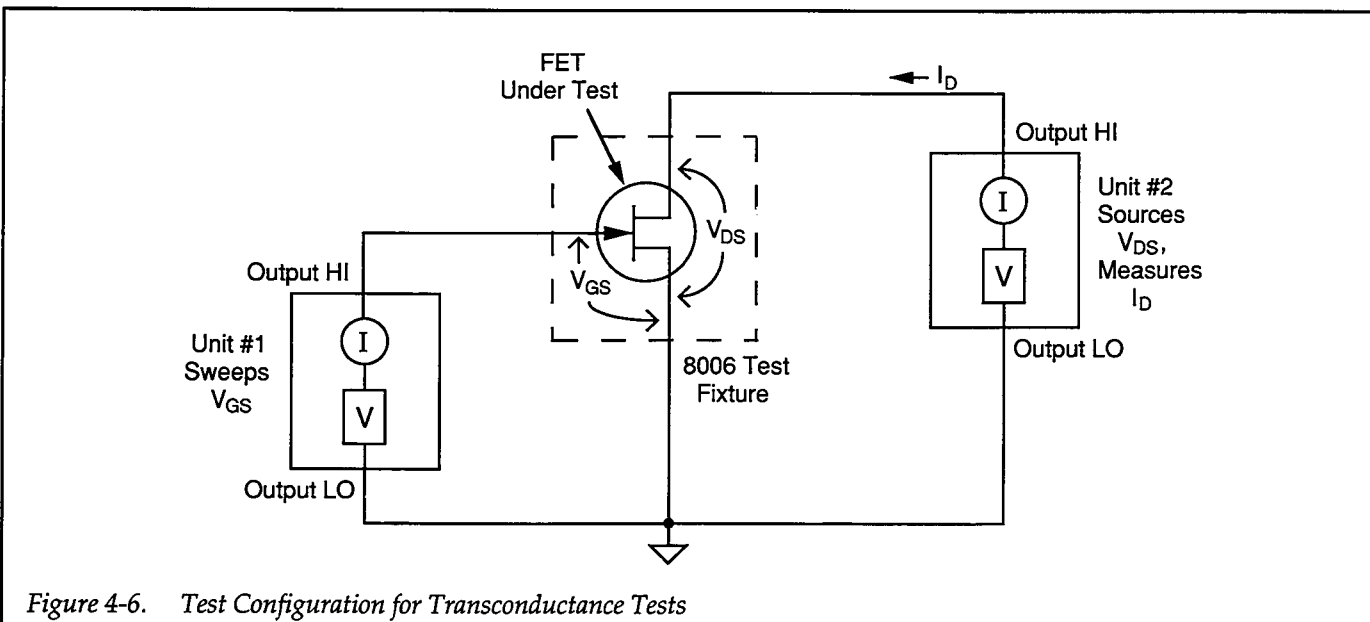


Figure 4-6. Test Configuration for Transconductance Tests

### 4.5.3 Typical Program 10 Results

Figure 4-7 shows a typical  $g_{fs}$  vs.  $V_{GS}$  plot as generated by the example program. Again, a 2N4392 N-channel JFET was used for the example plot.

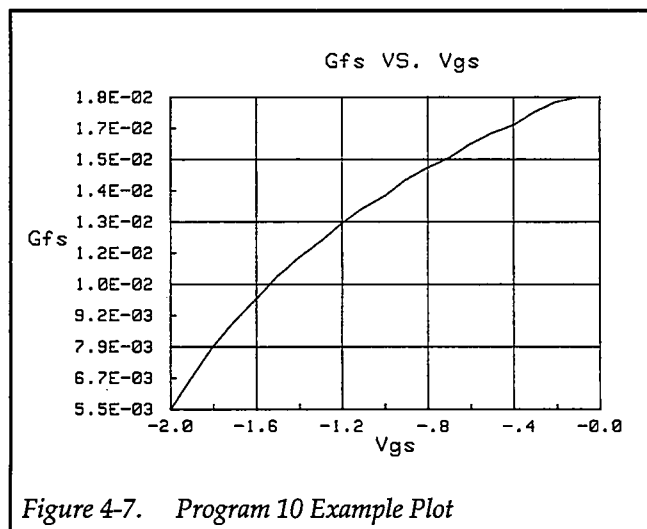


Figure 4-7. Program 10 Example Plot

### 4.5.4 Program 10 Description

Refer to the program listing below and the flowchart in Figure 4-8 for the following description of Program 10.

Initially, the data arrays are defined (lines 20-40) to hold 20 or 21 reading points. Note that two arrays are used in this program. The reading array will hold data obtained from the test instruments, while the plot array will hold computed  $g_{fs}$  and  $V_{GS}$  values to be plotted. After the instruments are returned to default conditions (line 50), Unit #1, which sweeps  $V_{GS}$ , is programmed as follows (lines 80-190):

- Source V, sweep mode
- 1mA compliance, 1mA range
- Local sense
- Source only data format, no prefix, sweep data output
- External trigger, one trigger per step, output trigger on end of measurement
- SRQ on sweep done
- Start  $V_{GS}$  voltage: -2V
- Stop  $V_{GS}$  voltage: 0V
- Step  $V_{GS}$  voltage: 0.1V
- Delay: 100msec
- Staircase sweep

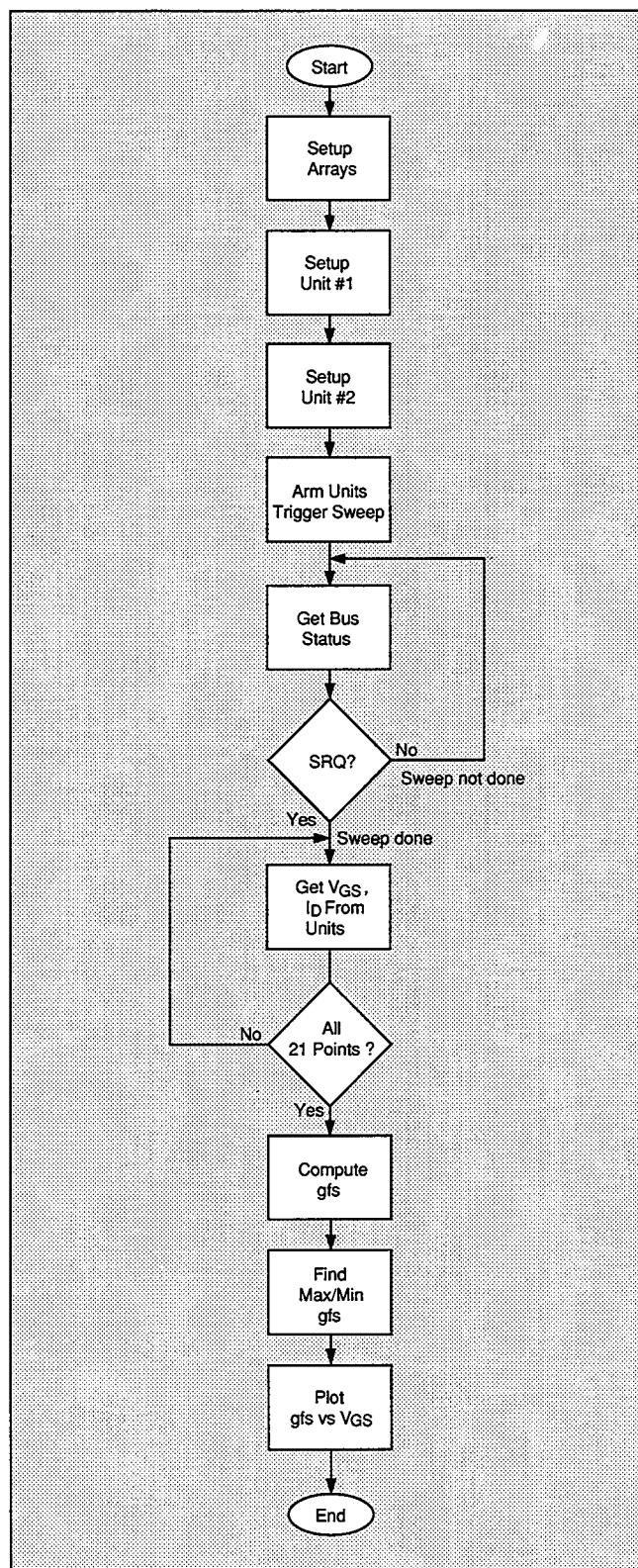


Figure 4-8. Program 10 Flowchart

Unit #2, which sources  $V_{DS}$  and measures  $I_D$ , is then configured in the following manner (lines 200-300):

- Source V, sweep mode
- Local sense
- 100mA compliance, autorange measure
- Measure only data format, no prefix, sweep data out
- External trigger, trigger source, output trigger on end of measurement
- Line cycle integration
- Delay: 100msec
- Constant sweep, 10V constant  $V_{DS}$  value, 21 points

After operator signal (lines 310 and 320), both units are armed and placed into operate (lines 330 and 340). Unit #1 is then triggered to start the sweep by using the immediate trigger command (line 360). Once Unit #1 is triggered, it sets  $V_{GS}$  to the programmed value, and it then triggers Unit #2 at the end of the measurement (using external triggering). Unit #2 then sets  $V_{DS}$  to the programmed value. Following the delay, Unit #2 measures  $I_D$  and it then triggers Unit #1 to go on to the next  $V_{GS}$  value. The process repeats until all points in the sweep have been taken.

While the sweep is being performed, the program waits in a loop for Unit #2 to generate an SRQ on sweep done (lines 370 and 380). Once the SRQ occurs, the data are read into the reading array (lines 400-430), and the Source Measure Units are placed into standby (lines 440 and 450). Note that the  $V_{GS}$  values are placed into array elements (I,1), and the  $I_D$  values are stored in array elements (I,2).

Next, we encounter the part of the program where the transconductance values are calculated (lines 500-550). First, the  $V_{GS}$  values are simply transferred from the (I,1) elements of the reading array to the (I,1) elements of the plot array (line 510). Next,  $\Delta V_{GS}$  values are computed by subtracting the (I,1) values from the (I+1,1) values (line 520), and  $\Delta I_D$  values are similarly computed by subtracting (I+1,2) values from (I,2) values (line 530). Finally, each transconductance value is computed from  $\Delta I_D$  and  $\Delta V_{GS}$  and stored in the corresponding element of the plot array (line 540).

The maximum and minimum transconductance values are then determined for Y axis scaling (lines 560-610), and the data are plotted with  $g_{fs}$  along the Y axis and  $V_{GS}$  along the X axis (lines 630-920).



```
10  REM TRANSCONDUCTANCE-GATE VOLTAGE TEST PROGRAM REV. 1.3 (Program 10)
20  OPTION BASE 1                                ! First array subscript is 1
30  DIM Reading(21,2)                            ! Dimension reading array (21 points)
40  DIM Plot_array(20,2)                        ! Dimension plot array (20 points)
50  CLEAR 7                                       ! Clear both Units
60  OUTPUT KBD;CHR$(255);CHR$(75);             ! Clear screen
70  REM ***** Unit 1 setup (sweeps Vgs) *****
80  REMOTE 716                                    ! Put Unit 1 in remote
90  OUTPUT 716;"F0,1X"                            ! Source V, sweep mode
100 OUTPUT 716;"L1E-3,7X"                        ! 1mA compliance,1mA range
110 OUTPUT 716;"00X"                              ! Local sense
120 OUTPUT 716;"G1,2,1"                          ! Output source,no prefix,sweep data
130 OUTPUT 716;"T3,1,4,0X"                      ! External trigger,out trig end of measure
140 OUTPUT 716;"M2,X"                            ! SRQ on sweep done
145 OUTPUT 716;"B0,0,0X"                        ! Program 0 bias value
150 Vgstart=-2                                    ! Define -2V start Vgs voltage
160 Vgstop=0                                       ! Define 0V stop Vgs voltage
170 Vgstep=.1                                     ! Define 0.1V step Vgs voltage
180 Dly=100                                       ! Define 100msec Unit delay
190 OUTPUT 716;"Q1,";Vgstart;",";Vgstop;",";Vgstep;",";0;";Dly;"X" ! Pgm swp
200 REM ***** Unit 2 setup (sources Vds, measures Id) *****
210 REMOTE 717                                    ! Put Unit 2 in remote
220 OUTPUT 717;"F0,1X"                            ! Source V, sweep mode
230 OUTPUT 717;"00X"                              ! Local sensing
240 OUTPUT 717;"L100E-3,0X"                    ! 100mA compliance,autorange measure
250 OUTPUT 717;"G4,2,1X"                        ! Measure,no prefix,sweep data
260 OUTPUT 717;"T3,1,4,0X"                      ! Trig ext,start source,out end of meas
270 OUTPUT 717;"S2Z0X"                          ! Line cycle integration,suppress off
275 OUTPUT 717;"B0,0,0X"                        ! Program 0 bias value
280 Vds=10                                        ! Define 10V Vds
290 Dly=100                                       ! 100msec Unit 2 delay
300 OUTPUT 717;"Q0,";Vds;",";0;";Dly;",";21X" ! Constant sweep,21 points
310 PRINT "Close lid, press CONT to begin test"
320 PAUSE
330 OUTPUT 716;"R1N1X"                            ! Arm Unit 1 trigger,turn on output
340 OUTPUT 717;"R1N1X"                            ! Arm Unit 2 trigger, turn on output
350 PRINT "Generating sweep"
360 OUTPUT 716;"H0X"                              ! Trigger Unit 1 to start sweep
370 STATUS 7,7;Stat                               ! Get IEEE-488 bus status
380 IF NOT BIT(Stat,10) THEN 370                 ! Wait for Unit 1 SRQ on sweep done
390 Stat=SPOLL(716)                               ! Serial poll Unit 1 to clear SRQ
400 FOR I=1 TO 21                                 ! Loop for all 21 readings
410 ENTER 716;Reading(I,1)                       ! Get Vgs data from Unit 1
420 ENTER 717;Reading(I,2)                       ! Get Id data from Unit 2
430 NEXT I                                        ! Loop back for next data point
440 OUTPUT 716;"N0X"                              ! Turn off Unit 1 output
450 OUTPUT 717;"N0X"                              ! Turn off Unit 2 output
460 PRINT "Press CONT to display graph"
470 PRINT "Press CONT while in graph to return to BASIC"
480 PAUSE
490 REM COMPUTE TRANSCONDUCTANCE AND STORE IN PLOT ARRAY
500 FOR I=1 TO 20                                 ! Loop for all gfs points
```

**SECTION 4**  
**FET Tests**

```
510 Plot_array(I,1)=Reading(I,1) ! Store Vgs in plot array
520 Delta_vgs=ABS(Reading(I+1,1)-Reading(I,1)) ! Compute delta Vgs
530 Delta_id=ABS(Reading(I+1,2)-Reading(I,2)) ! Compute delta Id
540 Plot_array(I,2)=Delta_id/Delta_vgs ! Compute gfs
550 NEXT I ! Loop back for next point
560 Ymin=MAXREAL ! Find minimum and maximum gfs value
570 Ymax=-MAXREAL
580 FOR I=1 TO 20
590 IF Plot_array(I,2)<Ymin THEN Ymin=Plot_array(I,2)
600 IF Plot_array(I,2)>Ymax THEN Ymax=Plot_array(I,2)
610 NEXT I
620 OUTPUT KBD;CHR$(255);CHR$(75); ! Clear screen
630 GINIT ! Initialize graphics
640 PLOTTER IS CRT,"INTERNAL" ! Define plot to CRT
650 GRAPHICS ON ! Turn on graphics
660 MOVE 60,90 ! Title graph
670 LABEL "Gfs VS. Vgs"
680 MOVE 70,10 ! Label X axis
690 LABEL "Vgs"
700 MOVE 0,53 ! Label Y axis
710 LABEL "Gfs"
720 VIEWPORT 30,120,20,85 ! Define soft clip limits
730 WINDOW Vgstart,Vgstop,Ymin,Ymax ! Scale graph
740 Y1=(Ymax-Ymin)/10 ! Compute Y axis increment
750 X1=(Vgstop-Vgstart)/10 ! Compute X axis increment
760 GRID 2*X1,2*Y1,Vgstart,Ymin ! Draw grid
770 AXES X1,Y1,Vgstart,Ymin ! Add some tick marks
780 PLOT Plot_array(*) ! Plot array
790 CSIZE 4 ! Define character size
800 LORG 6 ! Center characters
810 CLIP OFF ! Turn off soft clipping
820 FOR I=Vgstart TO Vgstop+.01*X1 STEP 2*X1 ! Number X axis
830 MOVE I,Ymin-(Y1/4)
840 LABEL USING "#,MD.D";I
850 NEXT I
860 FOR I=Ymin TO Ymax+.01*Y1 STEP Y1 ! Number Y axis
870 MOVE Vgstart-(1.3*X1),I+(.3*Y1)
880 LABEL USING "#,D.DE";I
890 NEXT I
900 PAUSE
910 OUTPUT KBD;CHR$(255);CHR$(75); ! Clear alpha screen
920 GRAPHICS OFF ! Clear graphics screen
930 END
```

### 4.5.5 Program 11: Transconductance vs. Drain Current Test

Use Program 11 below to generate a typical  $I_D$  vs.  $V_{GS}$  plot.

1. With the power off, connect both Source Measure Units to the IEEE-488 bus of the computer.
2. Connect both Source Measure Units to the test fixture using suitable triax cables (see Figure 4-1 for details on test connections).
3. Turn on both units, and allow them to warm up for at least two hours for rated accuracy. Verify that the primary address of Unit #1 is set to 16; the primary address of Unit #2 should be set to 17.
4. Turn on the computer, then boot up BASIC.
5. Enter the lines from Program 11 below into the computer.
6. Place a small-signal N-channel JFET such as a 2N4392 in the appropriate transistor socket. Install the correct jumpers, then close the test fixture lid.
7. RUN the program in the usual fashion. The computer will step through  $V_{GS}$  values between  $-2V$  and  $0V$  using  $0.1V$  steps. At each increment,  $I_D$  will be measured using a fixed  $10V V_{DS}$  value is used for the test. Once data are collected, a plot of  $g_{fs}$  vs.  $I_D$  is displayed on the computer CRT.
8. To return to BASIC from the graph, press CONT.

### 4.5.6 Typical Program 11 Results

Figure 4-9 shows a typical  $g_{fs}$  vs.  $I_D$  plot as generated by the example program. Again, a 2N4392 N-channel JFET was used for the example plot.

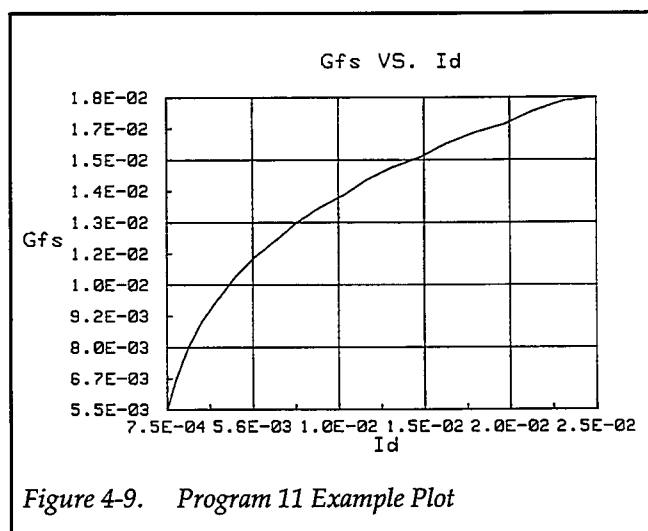


Figure 4-9. Program 11 Example Plot

### 4.5.7 Program 11 Description

Refer to the program listing below and the flowchart in Figure 4-10 for the following description of Program 11.

Initially, the data arrays are defined (lines 20-40) to hold 20 or 21 reading points. Once again, two arrays are used in this program. The reading array will hold data obtained from the test instruments, while the plot array will hold computed  $g_{fs}$  and  $I_D$  values to be plotted. After the instruments are returned to default conditions (line 50), Unit #1, which sweeps  $V_{GS}$ , is programmed as follows (lines 80-190):

- Source V, sweep mode
- 1mA compliance, 1mA range
- Local sense
- Source only data format, no prefix, sweep data output
- External trigger, one trigger per step, output trigger on end of measurement
- SRQ on sweep done
- Start  $V_{GS}$  voltage:  $-2V$
- Stop  $V_{GS}$  voltage:  $0V$
- Step  $V_{GS}$  voltage:  $0.1V$
- Delay: 100msec
- Staircase sweep

Unit #2, which sources  $V_{DS}$  and measures  $I_D$ , is then configured in the following manner (lines 200-300):

- Source V, sweep mode
- Local sense
- 100mA compliance, autorange measure
- Source and measure data format, no prefix, sweep data output
- External trigger, trigger source, output trigger on end of measurement
- Delay: 100msec
- Constant sweep, 10V constant  $V_{DS}$  value, 21 points

After operator signal (lines 310 and 320), both units are armed and placed into operate (lines 330 and 340). Unit #1 is then triggered to start the sweep by using the immediate trigger command (line 360). Once Unit #1 is triggered, it sets  $V_{GS}$  to the programmed value, and it then triggers Unit #2 (using external triggering). Unit #2 then sets  $V_{DS}$  to the programmed value. Following the prescribed delay period, Unit #2 measures  $I_D$  and it then triggers Unit #1 to go on to the next  $V_{GS}$  value. The process repeats until all points in the sweep have been taken.

While the sweep is being performed, the program waits in a loop for Unit #2 to generate an SRQ on sweep done (lines 370 and 380). Once the SRQ occurs, the data are read into the reading array (lines 400-430), and the Source Measure Units are placed into standby (lines 440 and 450). Note that the  $V_{GS}$  values are placed into array elements (I,1), and the  $I_D$  values are stored in array elements (I,2).

Next, we encounter the part of the program where the transconductance values are calculated (lines 500-550). First, the  $I_D$  values are simply transferred from the (I,1) elements of the reading array to the (I,1) elements of the plot array (line 510). Next,  $\Delta V_{GS}$  values are computed by subtracting the (I,1) values from the (I+1,1) values (line 520), and  $\Delta I_D$  values are similarly computed by subtracting (I+1,2) values from (I,2) values (line 530). Finally, each transconductance value is computed from  $\Delta I_D$  and  $\Delta V_{GS}$  and stored in the corresponding element of the plot array (line 540).

The maximum and minimum transconductance values are then determined for Y axis scaling (lines 560-610), and the maximum and minimum  $I_D$  values are also computed (lines 620-670). Finally, data are plotted with  $g_{fs}$  along the Y axis and  $I_D$  along the X axis (lines 710-980).

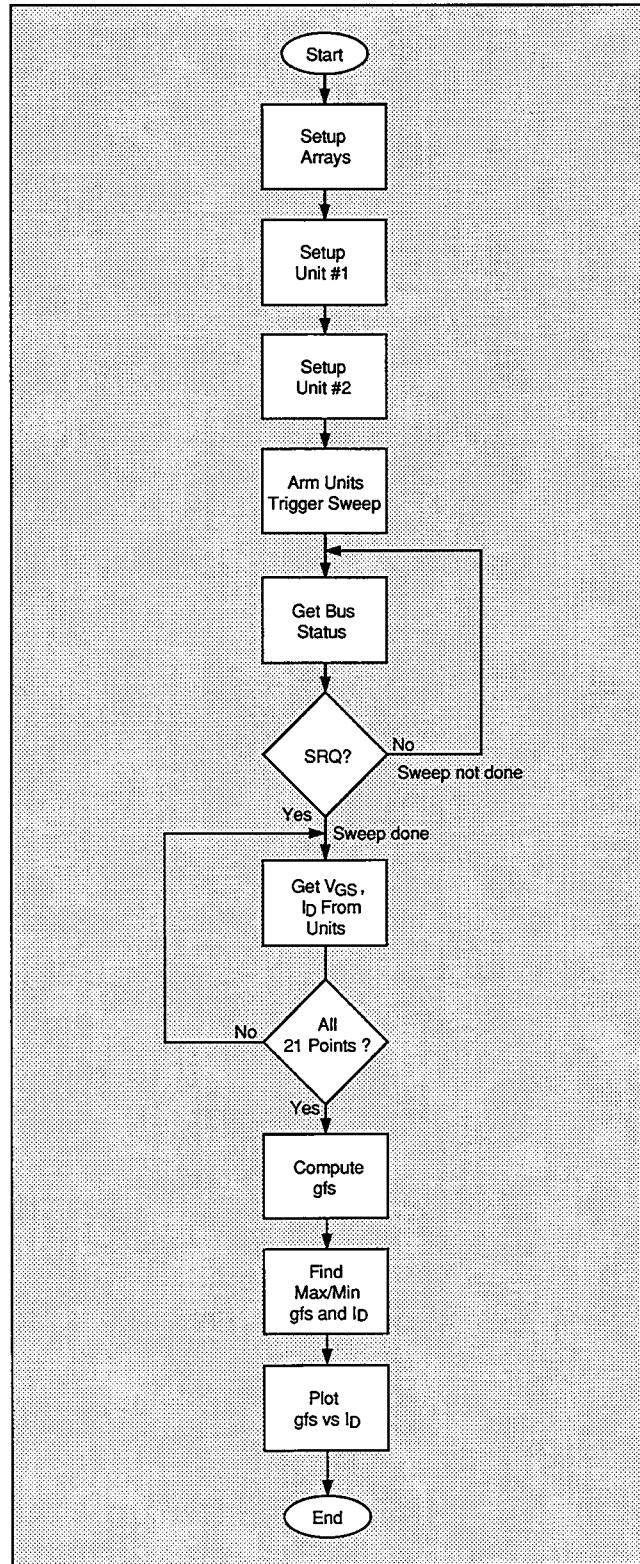


Figure 4-10. Program 11 Flowchart

```
10 REM TRANSCONDUCTANCE--DRAIN CURRENT TEST PROGRAM REV. 1.3 (Program 11)
20 OPTION BASE 1 ! First array subscript is 1
30 DIM Reading(21,2) ! Dimension reading array (21 points)
40 DIM Plot_array(20,2) ! Dimension plot array (20 points)
50 CLEAR 7 ! Clear both Units
60 OUTPUT KBD;CHR$(255);CHR$(75); ! Clear screen
70 REM ***** Unit 1 setup (sweeps Vgs) *****
80 REMOTE 716 ! Put Unit 1 in remote
90 OUTPUT 716;"F0,1X" ! Source V, sweep mode
100 OUTPUT 716;"L1E-3,7X" ! 1mA compliance, 1mA range
110 OUTPUT 716;"00X" ! Local sense
120 OUTPUT 716;"G1,2,1" ! Output source,no prefix,sweep data
130 OUTPUT 716;"T3,1,4,0X" ! External trigger,out trig end of measure
140 OUTPUT 716;"M2,X" ! SRQ on sweep done
145 OUTPUT 716;"B0,0,0X" ! Program 0 bias value
150 Vgstart=-2 ! Define -2V start Vgs voltage
160 Vgstop=0 ! Define 0V stop Vgs voltage
170 Vgstep=.1 ! Define .1V step Vgs voltage
180 Dly=100 ! Define 100msec Unit delay
190 OUTPUT 716;"Q1,";Vgstart;",";Vgstop;",";Vgstep;"",0,";Dly;"X" ! Pgm swp
200 REM ***** Unit 2 setup (sources Vds, measures Id) *****
210 REMOTE 717 ! Put Unit 2 in remote
220 OUTPUT 717;"F0,1X" ! Source V, sweep mode
230 OUTPUT 717;"00X" ! Local sensing
240 OUTPUT 717;"L100E-3,0X" ! 100mA compliance,autorange measure
250 OUTPUT 717;"G4,2,1X" ! Measure,no prefix,sweep data
260 OUTPUT 717;"T3,1,4,0X" ! Trig ext,start source,out end of meas
270 OUTPUT 717;"S2Z0X" ! Line cycle integration,suppress off
275 OUTPUT 717;"B0,0,0X" ! Program 0 bias value
280 Dly=100 ! 100msec Unit 2 delay
290 Vds=10 ! Define 10V Vds
300 OUTPUT 717;"Q0,";Vds;"",0,";Dly;"",21X" ! Constant sweep,21 points
310 PRINT "Close lid, press CONT to begin test"
320 PAUSE
330 OUTPUT 716;"R1N1X" ! Arm Unit 1 trigger,turn on output
340 OUTPUT 717;"R1N1X" ! Arm Unit 2 trigger, turn on output
350 PRINT "Generating sweep"
360 OUTPUT 716;"H0X" ! Trigger Unit 1 to start sweep
370 STATUS 7,7;Stat ! Get IEEE-488 bus status
380 IF NOT BIT(Stat,10) THEN 370 ! Wait for Unit 1 SRQ on sweep done
390 Stat=SPOLL(716) ! Serial poll Unit 1 to clear SRQ
400 FOR I=1 TO 21 ! Loop for all 21 readings
410 ENTER 716;Reading(I,1) ! Get Vgs data from Unit 1
420 ENTER 717;Reading(I,2) ! Get Id data from Unit 2
430 NEXT I ! Loop back for next data point
440 OUTPUT 716;"N0X" ! Turn off Unit 1 output
450 OUTPUT 717;"N0X" ! Turn off Unit 2 output
460 PRINT "Press CONT to display graph"
470 PRINT "Press CONT while in graph to return to BASIC"
480 PAUSE
490 REM COMPUTE TRANSCONDUCTANCE AND STORE IN PLOT ARRAY
500 FOR I=1 TO 20 ! Loop for all gfs points
```

**SECTION 4**  
**FET Tests**

```
510 Plot_array(I,1)=Reading(I,2) ! Store Id in plot array
520 Delta_vgs=ABS(Reading(I+1,1)-Reading(I,1)) ! Compute delta Vgs
530 Delta_id=ABS(Reading(I+1,2)-Reading(I,2)) ! Compute delta Id
540 Plot_array(I,2)=Delta_id/Delta_vgs ! Compute gfs
550 NEXT I ! Loop back for next point
560 Ymin=MAXREAL ! Find minimum and maximum gfs value
570 Ymax=-MAXREAL
580 FOR I=1 TO 20
590 IF Plot_array(I,2)<Ymin THEN Ymin=Plot_array(I,2)
600 IF Plot_array(I,2)>Ymax THEN Ymax=Plot_array(I,2)
610 NEXT I
620 Xmin=MAXREAL ! Find minimum and maximum Id value
630 Xmax=-MAXREAL
640 FOR I=1 TO 20
650 IF Plot_array(I,1)<Xmin THEN Xmin=Plot_array(I,1)
660 IF Plot_array(I,1)>Xmax THEN Xmax=Plot_array(I,1)
670 NEXT I
680 OUTPUT KBD;CHR$(255);CHR$(75); ! Clear screen
690 GINIT ! Initialize graphics
700 PLOTTER IS CRT,"INTERNAL" ! Define plot to CRT
710 GRAPHICS ON ! Turn on graphics
720 MOVE 60,90 ! Title graph
730 LABEL "Gfs VS. Id"
740 MOVE 70,10 ! Label X axis
750 LABEL "Id"
760 MOVE 0,53 ! Label Y axis
770 LABEL "Gfs"
780 VIEWPORT 30,120,20,85 ! Define soft clip limits
790 WINDOW Xmin,Xmax,Ymin,Ymax ! Scale graph
800 Y1=(Ymax-Ymin)/10 ! Compute Y axis increment
810 X1=(Xmax-Xmin)/10 ! Compute X axis increment
820 GRID 2*X1,2*Y1,Xmin,Ymin ! Draw grid
830 AXES X1,Y1,Xmin,Ymin ! Add some tick marks
840 PLOT Plot_array(*) ! Plot array
850 CSIZE 4 ! Define character size
860 LORG 6 ! Center characters
870 CLIP OFF ! Turn off soft clipping
880 FOR I=Xmin TO Xmax+.01*X1 STEP 2*X1 ! Number X axis
890 MOVE I,Ymin-(Y1/4)
900 LABEL USING "#,MD.DE";I
910 NEXT I
920 FOR I=Ymin TO Ymax+.01*Y1 STEP Y1 ! Number Y axis
930 MOVE Xmin-(1.3*X1),I+(.3*Y1)
940 LABEL USING "#,D.DE";I
950 NEXT I
960 PAUSE
970 OUTPUT KBD;CHR$(255);CHR$(75); ! Clear alpha screen
980 GRAPHICS OFF ! Clear graphics screen
990 END
```

## 4.6 THRESHOLD TESTS

The threshold voltage,  $V_T$ , is a critical parameter for FET characterization as well as process control. Basically, there are a number of methods for determining  $V_T$  including several transconductance methods, the two point extrapolated  $V_T$  method, as well as the  $V_T @ I_D$  search method. In this paragraph, we will discuss the  $I_D$  search method for finding  $V_T$  along with a self-biasing method that takes advantage of the special capabilities of the Models 236 and 237.

### 4.6.1 Search Method Test Configuration

Figure 4-11 shows the general test configuration for the search method threshold voltage tests. Unit #1 sources  $V_{GS}$ , while Unit #2 sources  $V_{DS}$  and also measures  $I_D$ . An iterative search process is included in the program to allow you to enter a target  $I_D$  value.

### 4.6.2 Program 12A: Threshold Voltage Tests Using Search Method

Use Program 12A below to perform the  $V_T$  test using the search for target  $I_D$  method.

1. With the power off, connect both Source Measure Units to the IEEE-488 bus of the computer.
2. Connect both units to the test fixture using suitable triax cables (see Figure 4-1 for details on test connections).

3. Turn on both units, and allow them to warm up for at least two hours for rated accuracy. Verify that the primary address of Unit #1 is set to 16; the primary address of Unit #2 should be set to 17.
4. Turn on the computer, then boot up BASIC.
5. Enter the lines from Program 12 below into the computer.
6. Place the desired N-channel FET in the appropriate transistor socket. Install the correct jumpers, then close the test fixture lid.
7. RUN the program in the usual fashion. The computer will prompt you to enter two  $V_{GS}$  values which correspond to the  $V_{GS}$  variation range. Also, type in the desired fixed value for  $V_{DS}$  when prompted to do so. Finally, enter the target  $I_D$  value at which  $V_T$  is to be determined, and continue the program when ready to begin the test (typical  $I_D = 100\mu A$ ).
8. The program will then step through the search process and attempt to match the drain current to the target value to within  $\pm 5\%$  by varying  $V_{GS}$ . If more than 20 iterations are necessary, or if Unit #2 is found to be over compliance, you will be notified of that fact, and the program will halt.
9. If the search is successful, the value of  $V_{GS}$  which resulted in the target  $I_D$  value will then be displayed. This  $V_{GS}$  value is  $V_T$ . If the search is unsuccessful, re-run the program and choose a more appropriate set of  $V_{GS}$  values.

### 4.6.3 Program 12A Description

Refer to the program listing below and the flowchart in Figure 4-12 for the following description of Program 12A.

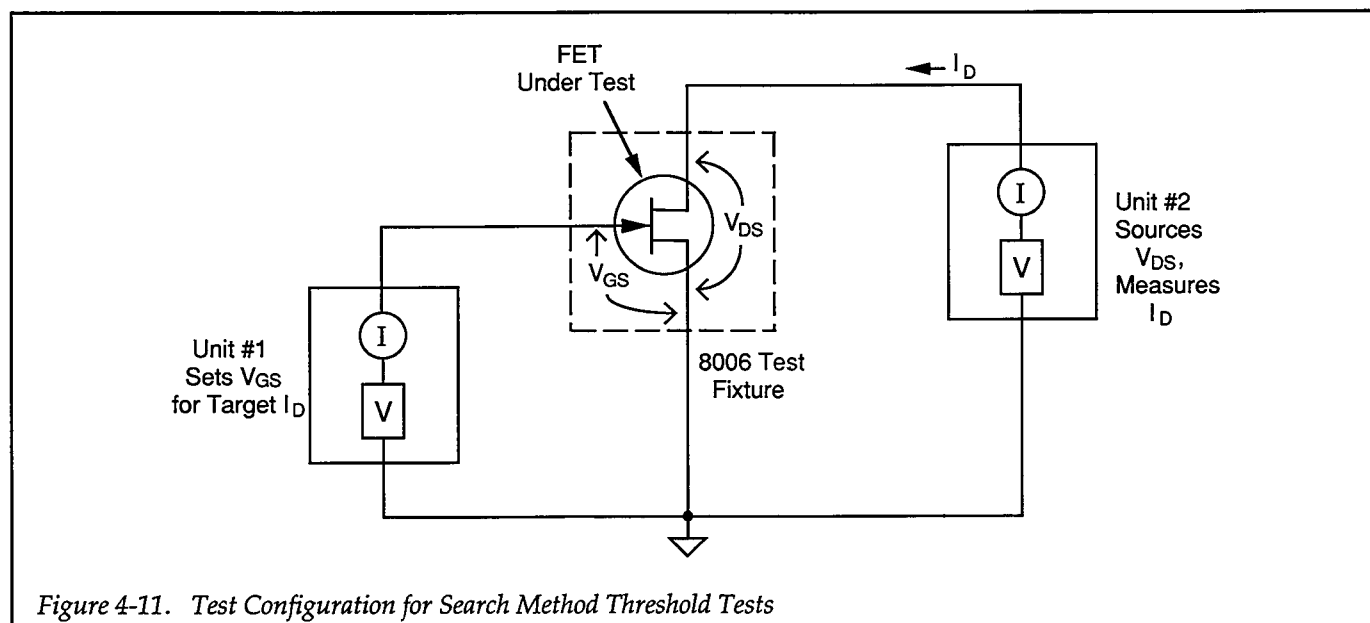


Figure 4-11. Test Configuration for Search Method Threshold Tests

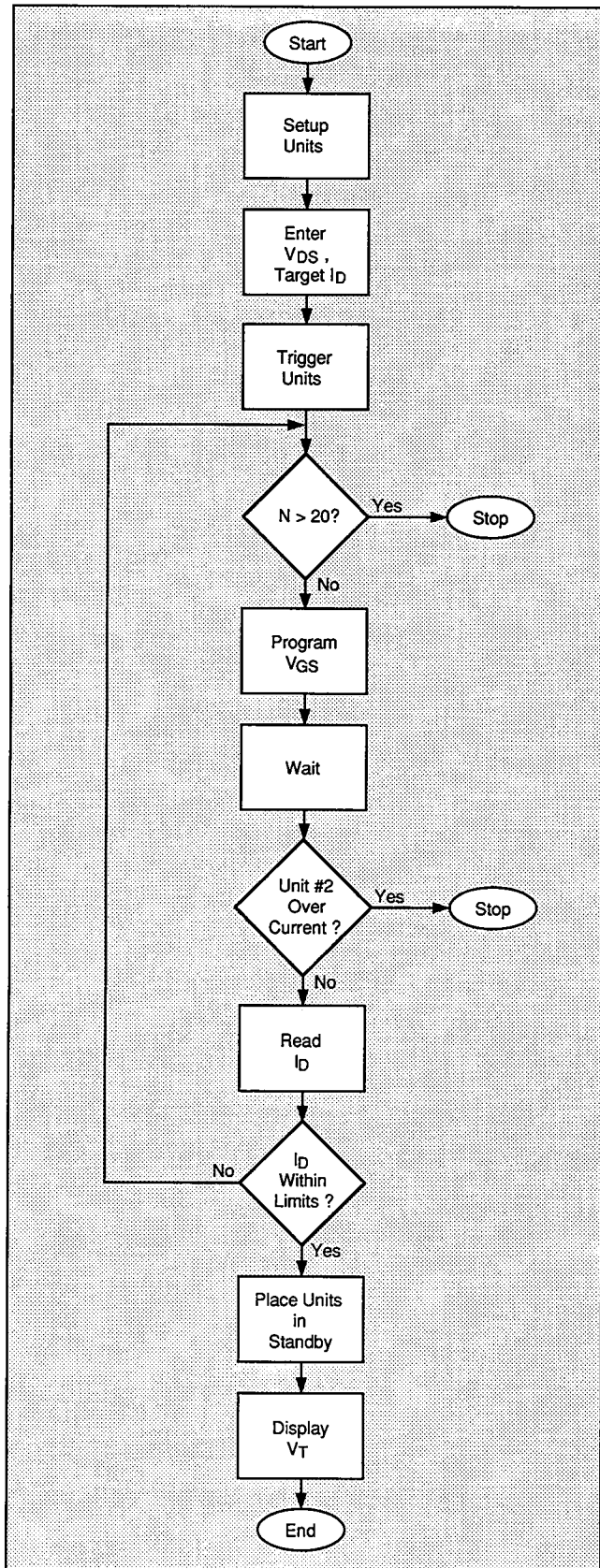


Figure 4-12. Program 12A Flowchart

Initially, the instruments are returned to default conditions (line 20), and the iteration variables are defined (lines 30 and 40). Next, Unit #1, which sources  $V_{GS}$ , is programmed as follows (lines 70-110):

- Source V, dc mode
- 1mA compliance, 1mA range
- Local sense
- Trigger on GET, continuous
- Delay: 1sec

Next, the range of  $V_{GS}$  values is entered, the the start value for  $V_{GS}$  is computed (lines 130-150). Unit #2, which sources  $V_{DS}$  and measures  $I_D$ , is then configured in the following manner (lines 170-260):

- Source V, dc mode
- Local sense
- 100mA compliance, autorange measure
- Measure only data format, no prefix, dc data output
- Trigger on GET, continuous
- Line cycle integration
- Bias value determined by user input

The desired  $V_{DS}$  and  $I_D$  values are then entered (lines 240 and 250), and, after operator signal (lines 270 and 280), both Source Measure Units are armed and placed into operate (lines 290 and 300) and finally triggered (lines 320 and 330). The iteration counter is then incremented and then checked against the maximum number of allow iterations (lines 340 and 350). If the iterative search exceeds the allowed limit, a message to that effect is displayed, and the program halts.

Assuming the number of iterations has not exceeded the allowed limit, Unit #1 is programmed with the presently-computed value of  $V_{GS}$  (line 400). After a one-second delay, Unit #2 is serial polled and its status byte is checked to determine whether or not the unit is over current compliance (lines 420 and 430). If so, an error message is displayed, and the program halts.

The program then requests a drain current reading ( $I_D$ ) from Unit #2 (line 480), and then checks to see if the drain current value is close to the target  $I_D$  value (lines 490-580). If the  $I_D$  value is not within the required range ( $\pm 5\%$ ), the program computes a new  $V_{GS}$  value and then loops back to perform the test loop again. Finally, both units are placed into standby (lines 590 and 600), and the  $V_T$  value at the actual  $I_D$  is displayed (line 610).



#### 4.6.4 Modifying Program 12A

As written, the program sets the number of iterations to search for target  $I_D$  to 20 (line 30). You can change this variable to perform the iterative search as many times as is necessary. Similarly, the allowed range for the  $I_D$  target

search is  $\pm 5\%$ . Again, you can change this tolerance range as tight as necessary by modifying the limits in lines 490 and 540. Note that reducing the target range will probably require an increase in the number of iterations as well.

**SECTION 4**  
**FET Tests**

```
10  REM SEARCH METHOD THRESHOLD VOLTAGE TEST PROGRAM REV. 1.3 (Program 12A)
20  CLEAR 7 ! Clear both Units
30  Iterations=20 ! Define maximum search iterations
40  N=0 ! Set iteration counter
50  OUTPUT KBD;CHR$(255);CHR$(75); ! Clear screen
60  REM ***** Unit 1 setup (sources Vgs) *****
70  REMOTE 716 ! Put Unit 1 in remote
80  OUTPUT 716;"F0,0X" ! Source V, DC mode
90  OUTPUT 716;"L1E-3,7X" ! 1mA compliance, 1mA range
100 OUTPUT 716;"00X" ! Local sense
110 OUTPUT 716;"T1,0,0,0X" ! GET trigger,continuous
120 Dly=1000 ! Define 1 sec Unit delay
130 INPUT "Enter more positive Vgs",Vgs1 ! Input greater Vgs
140 INPUT "Enter more negative Vgs",Vgs2 ! Input lesser Vgs
150 Vgs=(Vgs1-Vgs2)/2+Vgs2 ! Compute start Vgs
160 REM ***** Unit 2 setup (sources Vds, measures Id) *****
170 REMOTE 717 ! Put Unit 2 in remote
180 OUTPUT 717;"F0,0X" ! Source V, DC mode
190 OUTPUT 717;"00M128,0X" ! Local sensing,SRQ
200 OUTPUT 717;"L100E-3,0X" ! 100mA compliance,autorange measure
210 OUTPUT 717;"G4,2,0X" ! Measure,no prefix,DC data
220 OUTPUT 717;"S2I0X" ! Line cycle integration,suppress off
230 OUTPUT 717;"T1,0,0,0X" ! Trigger on GET,continuous
240 INPUT "Enter Vds",Vds ! Input Vds
250 INPUT "Enter target Id",Itarget ! Input target Id for search
260 OUTPUT 717;"B";Vds;"",0,"";Dly:"X" ! Program DC,autorange,delay
270 PRINT "Close lid, press CONT to begin test"
280 PAUSE
290 OUTPUT 716;"RINIX" ! Arm Unit 1 trigger,turn on output
300 OUTPUT 717;"RINIX" ! Arm Unit 2 trigger,turn on output
310 PRINT "Measuring..."
320 TRIGGER 716 ! Trigger Unit 1
330 TRIGGER 717 ! Trigger Unit 2
340 N=N+1 ! Increment iteration counter
350 IF N>Iterations THEN ! Check for maximum iterations
360 BEEP
370 PRINT "More than";Iterations;"iterations"
380 STOP
390 END IF
400 OUTPUT 716;"B";Vgs;"",0,"";Dly:"X" ! Program Unit 1 Vgs value
410 WAIT Dly/1000+1 ! Wait for settling
420 Stat=SPOLL(717) ! Serial poll Unit 2
430 IF BIT(Stat,7) THEN ! Check for over compliance
440 BEEP
450 PRINT "Unit 2 is over current compliance"
460 STOP
470 END IF
480 ENTER 717;Id ! Get Id reading from Unit 2
490 IF Id>1.05*Itarget THEN ! Check for Id > target
500 Vgs1=Vgs
```

```

510  Vgs=Vgs-(Vgs-Vgs2)/20
520  GOTO 340
530  END IF
540  IF Id<.95*Itarget THEN      ! Check for Id < target
550  Vgs2=Vgs
560  Vgs=Vgs+(Vgs1-Vgs)/20
570  GOTO 340
580  END IF
590  OUTPUT 716;"N0X"           ! Turn off Unit 1 output
600  OUTPUT 717;"N0X"           ! Turn off Unit 2 output
610  PRINT "Vt=";Vgs;"V @ Id=";Id ! Display threshold voltage
620  END

```

#### 4.6.5 Self-bias Threshold Test Configuration

Figure 4-13 shows the general test configuration for the self-bias method of threshold voltage tests. Unit #1 sources the drain current (assumed to be the same as the source current), and it also measures the threshold voltage,  $V_T$ . Unit #2 sources  $V_{DS}$ . This arrangement allows very rapid threshold voltage measurement (milliseconds per reading) at very low currents, and it can be used with both enhancement-mode and depletion-mode FETs. Note that the high-impedance sensing circuits and the floating capabilities of the Models 236/237 are key characteristics that allow this special configuration to be used.

##### WARNING

When a Model 236/237 is programmed for remote sensing, hazardous voltage may be present on the SENSE and OUTPUT terminals when the unit is in operate regardless of the programmed voltage or current. To avoid a possible shock hazard, always turn off power before connecting or disconnecting cables to the Source Measure Unit or the associated test fixture.

##### NOTE

Both  $V_{DS}$  and  $I_D$  must be programmed with reversed polarity because of the connection configuration used. For example, for an N-channel FET, both  $V_{DS}$  and  $I_D$  must be negative.

These values will result in proper biasing of the DUT. Also, the sign of the measured  $V_T$  value will be reversed.

#### 4.6.6 Self-bias Method Measurement Considerations

There is a limit as to the maximum voltage that can appear between the sense and source leads of each Source Measure Unit. For that reason, the maximum threshold voltage that can be measured with this method is defined as follows:

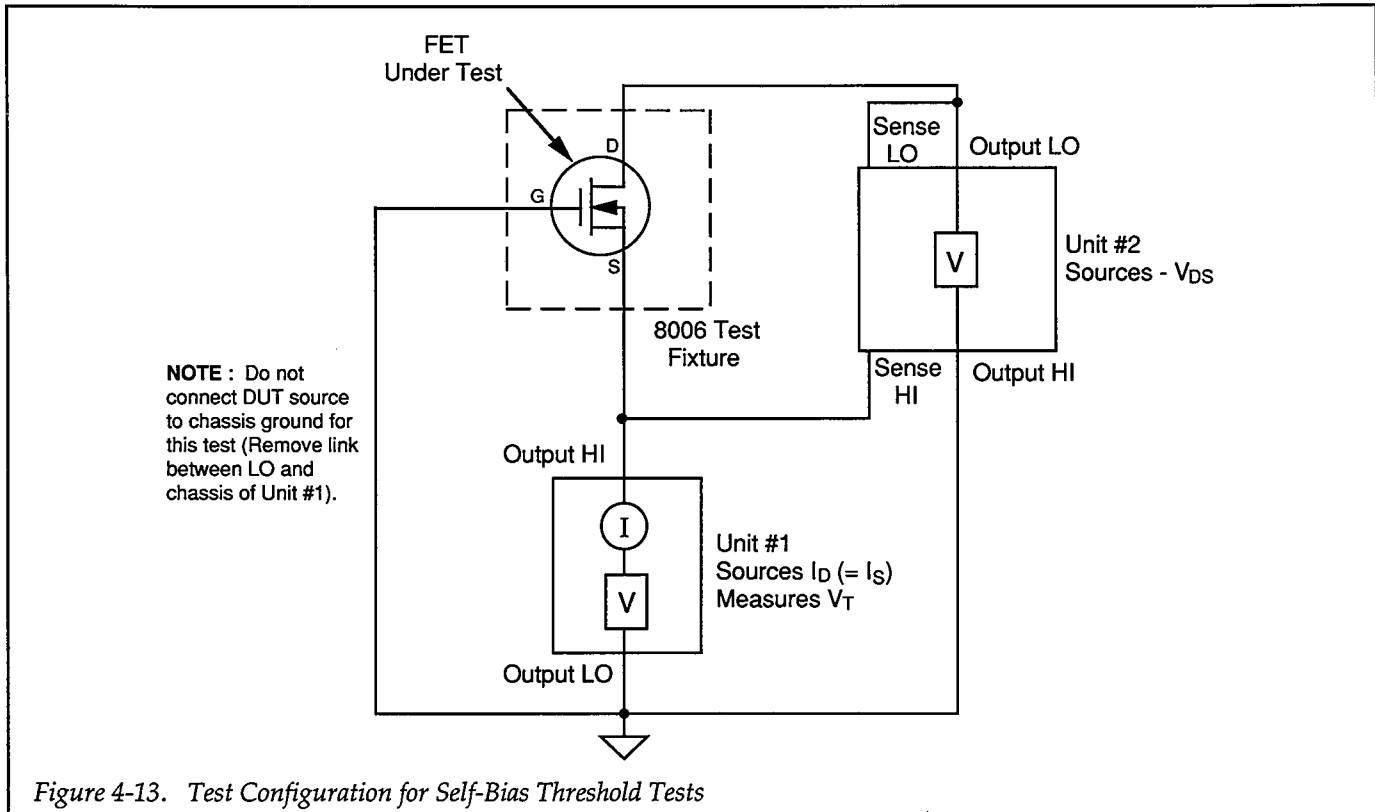
$$V_{MAX} = 12 - 10 \left( \frac{V_{DS}}{V_{FS}} \right)$$

Where:  $V_{MAX}$  = maximum threshold voltage  
 $V_{DS}$  =  $V_{DS}$  sourced by Unit 2  
 $V_{FS}$  = full scale voltage of Unit 2

For example, if  $V_{DS}$  has a value of 5V with the unit on the 11V measurement range, the maximum voltage is:

$$V_{MAX} = 12 - 10(5/11) = 7.45V$$

From this relationship, it can be seen that the voltage range of Unit #2 should be set as high as possible.



#### 4.6.7 Program 12B: Self-bias Threshold Voltage Tests

Use Program 12B below to perform the self-bias threshold voltage test.

1. With the power off, connect both Source Measure Units to the IEEE-488 bus of the computer.
2. Connect both units to the test fixture with suitable triax cables using Figure 4-13 as a guide. Note that remote sensing connections are used for Unit #2, and that both OUTPUT LO and SENSE LO of Unit #2 are connected to the drain of the device under test. With this configuration, it will be necessary to program negative  $V_{DS}$  and  $I_D$  values in order to properly bias the DUT.
3. Turn on both units, and allow them to warm up for at least two hours for rated accuracy. Verify that the primary address of Unit #1 is set to 16; the primary address of Unit #2 should be set to 17.
4. Turn on the computer; then boot up BASIC.
5. Enter the lines from Program 12B below into the computer.
6. Place the desired N-channel (enhancement-mode or depletion-mode) FET in the appropriate transistor

socket. Install the correct jumpers (using Figure 4-13 as a guide), then close the test fixture lid.

7. RUN the program in the usual fashion. The computer will program Unit #1 to step through  $I_D$  current values between  $-10\mu A$  and  $-100\mu A$  at  $-10\mu A$  increments, using a 0msec user delay for maximum speed and a fixed  $V_{DS}$  value of  $-10V$ .
8. After data are collected, the computer will display the  $V_T$  values at the 10 tested  $I_D$  currents on the computer CRT. Both  $I_D$  and  $V_T$  values will be sign-adjusted for correct displayed polarity.

#### 4.6.8 Program 12B Description

Refer to the program listing below and the flowchart in Figure 4-14 for the following description of Program 12B.

Initially, the instruments are returned to default conditions (line 20). Next, Unit #1, which sources  $I_D$  and measures  $V_T$ , is programmed as follows (lines 50-170):

- Source I, sweep mode
- 10V compliance, 11V range
- Local sense
- Trigger on GET, continuous

- Source, measure data, no prefix or suffix, sweep data
- SRQ on sweep done
- Fastest integration rate, filter off
- Start ID current:  $-10\mu\text{A}$
- Stop ID current:  $-100\mu\text{A}$
- Step ID current:  $-10\mu\text{A}$
- Delay: 0msec

Next, Unit #2, which sources  $V_{DS}$  is then configured in the following manner (lines 190-250):

- Source V, DC mode
- Remote sensing
- 100mA compliance, 100mA range
- Trigger on GET, continuous
- $-10\text{V}$  fixed  $V_{DS}$  value

After operator signal (lines 260 and 270), both Source Measure Units are armed and placed into operate (lines 280 and 290) and triggered (lines 300 and 310). The program then enters a loop to wait for Unit #1 to generate an SRQ (lines 320 and 330). After the SRQ, Unit #1 is serial polled to clear the SRQ (line 340), and both units are placed into standby (lines 350 and 360). The ten  $V_T$  values are then read from Unit #1 and displayed on the computer CRT (lines 380-430). Note that both  $I_D$  and  $V_T$  values are corrected for proper polarity.

#### 4.6.9 Modifying Program 12B

As written, the program tests for threshold voltages at 10 values of  $I_D$  between  $-10\mu\text{A}$  and  $-100\mu\text{A}$  at  $-10\mu\text{A}$  increments (as pointed out previously, the programmed drain currents must be negative with an N-channel device because of the test configuration used). These values can be changed to the required values simply by modifying the corresponding variables in the program. Also, plotting routines from another program could be adapted and added to generate a plot of  $V_T$  vs.  $I_D$ . Paragraph 8.5 demonstrates  $V_T$  vs.  $I_D$  plotting.

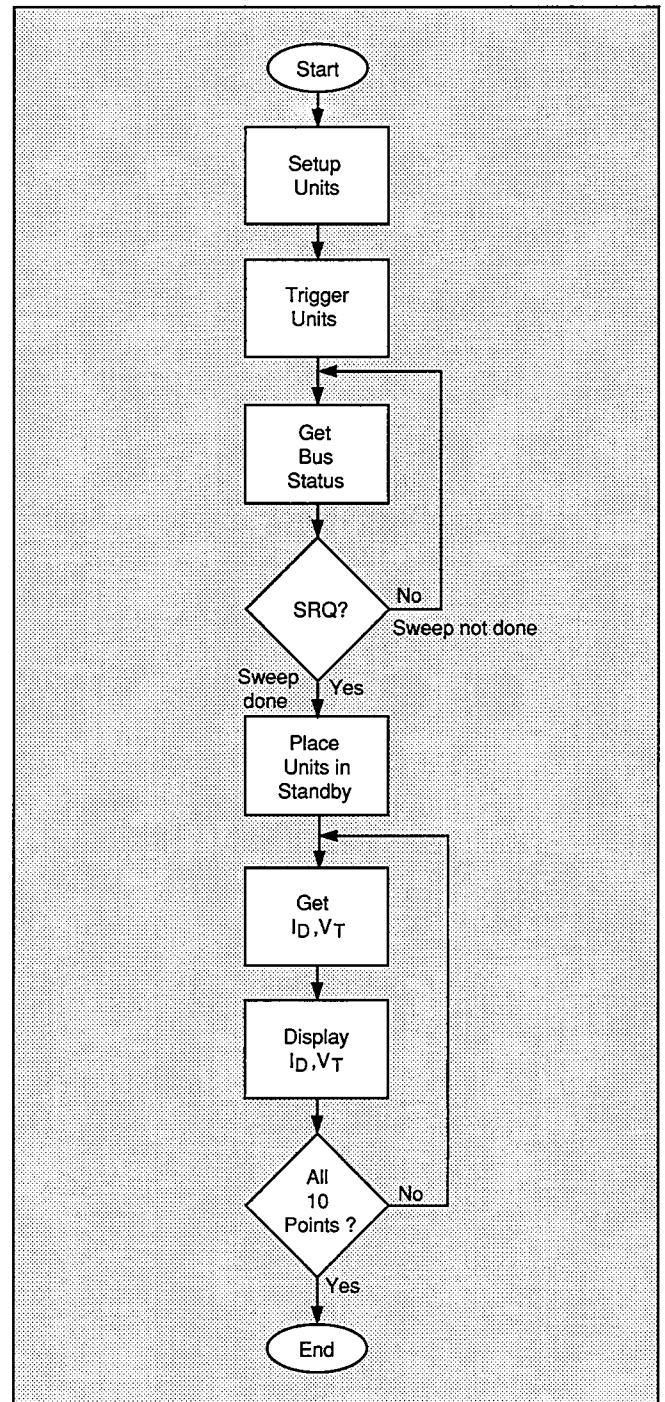


Figure 4-14. Program 12B Flowchart

**SECTION 4**  
**FET Tests**

```

10  REM SELF BIAS THRESHOLD VOLTAGE TEST PROGRAM REV. 1.3 (Program 12B)
20  CLEAR 7 ! Clear both Units
30  OUTPUT KBD;CHR$(255);CHR$(75); ! Clear screen
40  REM **** Unit 1 setup (sources -Id, measures -Vt) ****
50  REMOTE 716 ! Put Unit 1 in remote
60  OUTPUT 716;"F1,1X" ! Source I, sweep mode
70  OUTPUT 716;"L10,2X" ! 10V compliance, 11V range
80  OUTPUT 716;"00Z0X" ! Local sense,suppress off
90  OUTPUT 716;"T1,0,0,0X" ! GET trigger,continuous
100 OUTPUT 716;"G5,2,1X" ! Source data,no prefix,sweep data
110 OUTPUT 716;"M2,X" ! SRQ on sweep done
120 OUTPUT 716;"S0P0X" ! Fast integration, filter off
125 OUTPUT 716;"B0,0,0X" ! Program 0 bias value
130 Istart=-1.0E-5 ! Define -10uA start current
140 Istop=-1.00E-4 ! Define -100uA stop current
150 Istep=-1.0E-5 ! Define -10uA step current
160 Dly=0 ! Define 0 sec Unit delay
170 OUTPUT 716;"Q1,";Istart;",";Istop;",";Istep;","0,";Dly;"X" ! Pgm swp
180 REM **** Unit 2 setup (sources -Vds) ****
190 REMOTE 717 ! Put Unit 2 in remote
200 OUTPUT 717;"F0,0X" ! Source V, DC mode
210 OUTPUT 717;"01X" ! Remote sensing
220 OUTPUT 717;"L100E-3,9X" ! 100mA compliance,100mA range
230 OUTPUT 717;"T1,0,0,0X" ! Get trigger, continuous
240 Vds=-10 ! Define -10V Vds value
250 OUTPUT 717;"B";Vds;","3,";Dly;"X" ! Program DC, 110V range,delay
260 PRINT "Close lid, press CONT to begin test"
270 PAUSE
280 OUTPUT 716;"R1N1X" ! Arm Unit 1 trigger,turn on output
290 OUTPUT 717;"R1N1X" ! Arm Unit 2 trigger,turn on output
300 TRIGGER 717 ! Trigger Unit 2
310 TRIGGER 716 ! Trigger Unit 1
320 STATUS 7,7;Stat ! Get bus status
330 IF NOT BIT(Stat,10) THEN 320 ! Wait for SRQ
340 Stat=SPOLL(716) ! Serial poll Unit 1 to clear SRQ
350 OUTPUT 716;"N0X" ! Turn off Unit 1 output
360 OUTPUT 717;"N000X" ! Turn off Unit 2 output,local sense
370 PRINT
380 PRINT "Id","Vt"
390 PRINT "-----"
400 FOR I=1 TO 10 ! Loop for all 10 readings
410 ENTER 716;Id,Vt ! Get reading
420 PRINT -Id,-Vt ! Print reading, adjust signs
430 NEXT I
440 END

```

# SECTION 5

## Using Substrate Bias

---


### 5.1 INTRODUCTION

Thus far in this manual, we have concentrated on performing tests on devices that do not require substrate bias. Since many devices, especially those in complex packages, do require some form of substrate bias, our discussion would not be complete without discussing methods for applying and programming substrate bias.

In the following paragraphs, we will discuss two methods of applying substrate bias: (1) adding an additional Model 236/237 Source Measure Unit, and (2) using a Model 230 Programmable Voltage Source

### 5.2 SUBSTRATE BIAS INSTRUMENT CONNECTIONS

#### WARNING

Interlock circuits must be connected before use. Connect fixture  to safety earth ground using #18 AWG minimum wire before use. Turn off all power before connecting or disconnecting wires or cables.

#### 5.2.1 Source Measure Unit Substrate Bias Connections

Figure 5-11 shows test connections when using an additional Source Measure Unit to apply substrate bias. Unit #1 and Unit #2 perform the same functions as outlined earlier in this section, and Unit #3 is used to apply substrate bias. Once again, the Model 8006 Component Test Fixture is recommended for test connections, along with Model 7078-TRX-3 triax cables. Note that the connecting cables to Unit #3 assume that local sensing will be used even though that may not be the situation in many cases.

#### 5.2.2 Voltage Source Substrate Bias Connections

Figure 5-2 shows bias connections using a Model 230 Programmable Voltage Source for substrate bias connections. The two Source Measure Units are connected to the Model 8006 test fixture using Model 7078-TRX-3 triax cables just as before. The Model 230 Voltage Source is connected to two of the binding posts on the test fixture using banana plug patch cords. Note that remote sensing is not used in this application; remote sensing could be added by connecting the sense terminals of the voltage source to the two remaining binding posts on the test fixture.

#### NOTES

1. Remote sensing connections are recommended for optimum accuracy. See paragraph 1.2.2 for details.
2. If measurement noise is a problem, or for critical, low-level applications, use shielded cable for all signal connections.

### 5.3 SUBSTRATE BIAS JUMPER CONNECTIONS

If you are using the Model 8006 test fixture, you must install appropriate jumpers to complete bias connections (jumpers must also be installed for remaining device connections as outlined earlier in this manual). The exact jumper configuration will, of course, depend on the type of device packages you intend to use for the programming examples in this section.

### 5.4 SOURCE MEASURE UNIT SUBSTRATE BIASING

The following paragraphs discuss using a Model 236/237 Source Measure Unit to provide substrate biasing. In the first example, the substrate current,  $I_{SB}$ , is measured as the gate-source voltage,  $V_{GS}$  is swept across the desired range. A plot of  $I_{SB}$  vs.  $V_{GS}$  is generated by the program. In the second example, the third Source Measure Unit provides substrate bias for common-source characteristic tests.

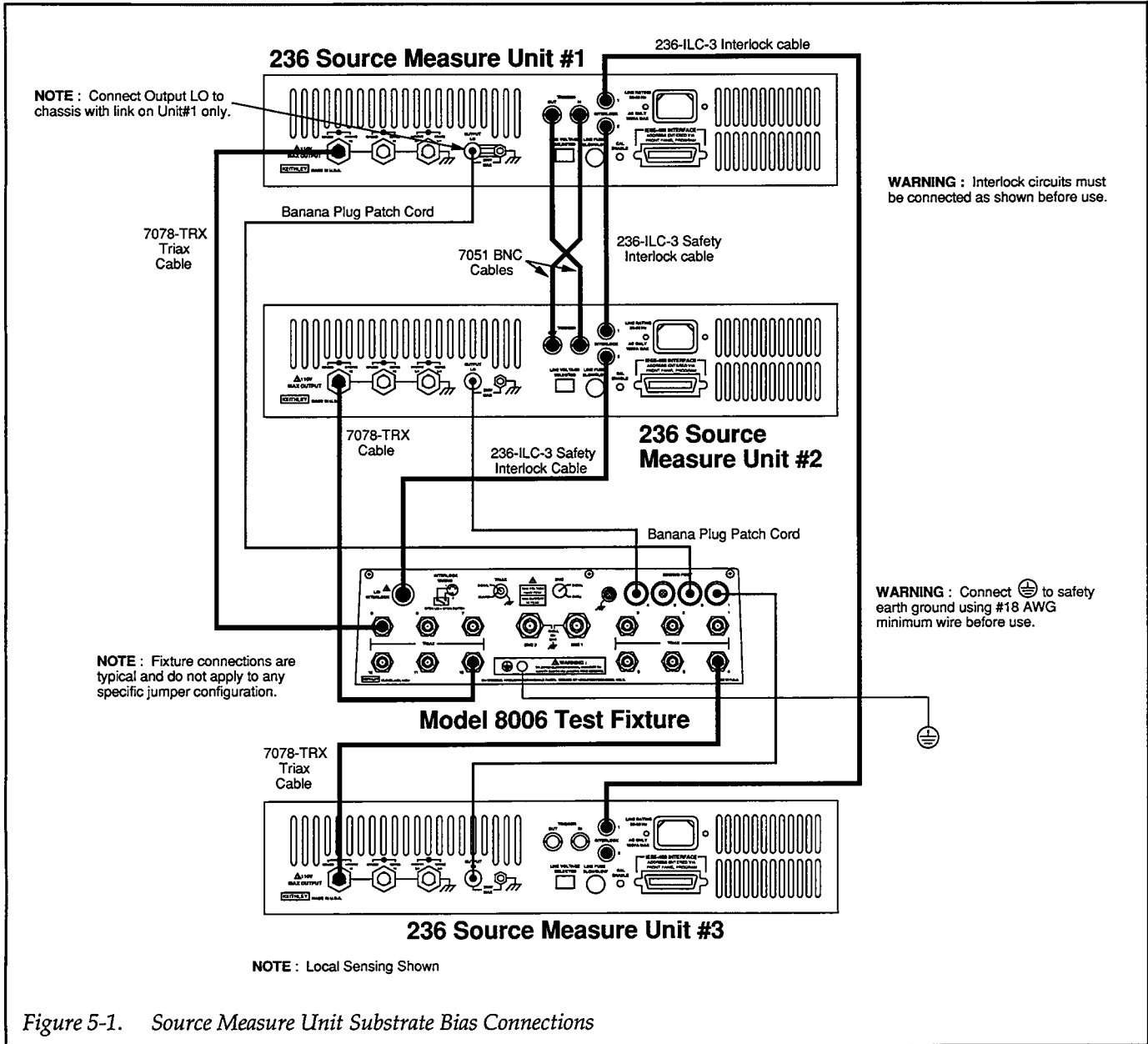


Figure 5-1. Source Measure Unit Substrate Bias Connections



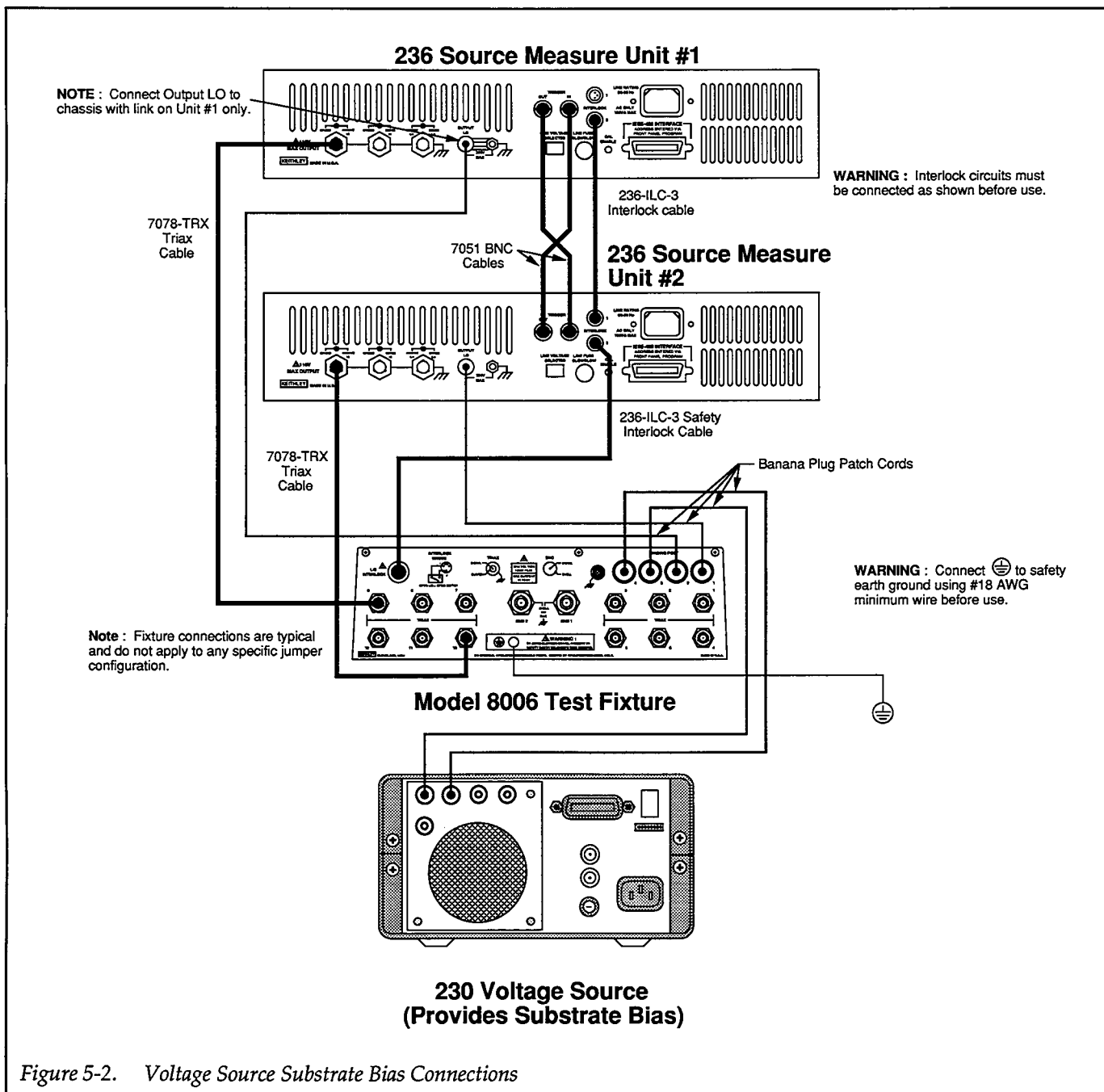


Figure 5-2. Voltage Source Substrate Bias Connections

### 5.4.1 Program 13 Test Configuration

Figure 5-3 shows the test configuration for Program 13 listed below. Unit #1 is used to sweep  $V_{GS}$ , while Unit #2 sources  $V_{DS}$ . Unit #3 applies a user-defined substrate bias,  $V_{SB}$ , to the device under test, and it also measures the substrate current,  $I_{SB}$ .

### 5.4.2 Example Program 13: Substrate Current vs. Gate-source Voltage

Program 13 below demonstrates methods to generate an  $I_{SB}$  vs.  $V_{GS}$  plot. Follow the steps below to use this program.

1. With the power off, connect all three Source Measure Units to the IEEE-488 bus of the computer.
2. Connect all three units to the test fixture using suitable triax cables. See Figure 5-1 for details on test connections.

**NOTE**

The external trigger jacks of Unit #1 and Unit #3 must be connected together instead of Unit #1 and Unit #2 as shown. Connect the TRIGGER OUT jack of Unit #1 to the TRIGGER IN

jack of Unit #3, and connect the TRIGGER OUT jack of Unit #3 to the TRIGGER IN jack of Unit #1.

3. Turn on all three units, and allow them to warm up for at least two hours for rated accuracy. Verify that the primary address of Unit #1 is set to 16, the primary address of Unit #2 should be set to 17, and the primary address of Unit #3 is set to 18.
4. Turn on the computer, then boot up BASIC.
5. Enter the lines from Program 13 below into the computer.
6. Place a P-channel, enhancement-mode FET with substrate terminal in the appropriate test fixture socket (Keithley part number TG-51). Install the correct jumpers (including substrate bias connections), then close the test fixture lid.
7. RUN the program in the usual fashion. Enter the desired value of substrate bias voltage when prompted to do so. With a P-channel device, the voltage should be positive.
8. The computer will then step through  $V_{GS}$  values between 0V and -10V using -1V steps. At each step, the substrate current,  $I_{SB}$ , will be measured. After data are collected, a plot of  $I_{SB}$  vs.  $V_{GS}$  will be generated.
9. To return to BASIC from the graph, press CONT.

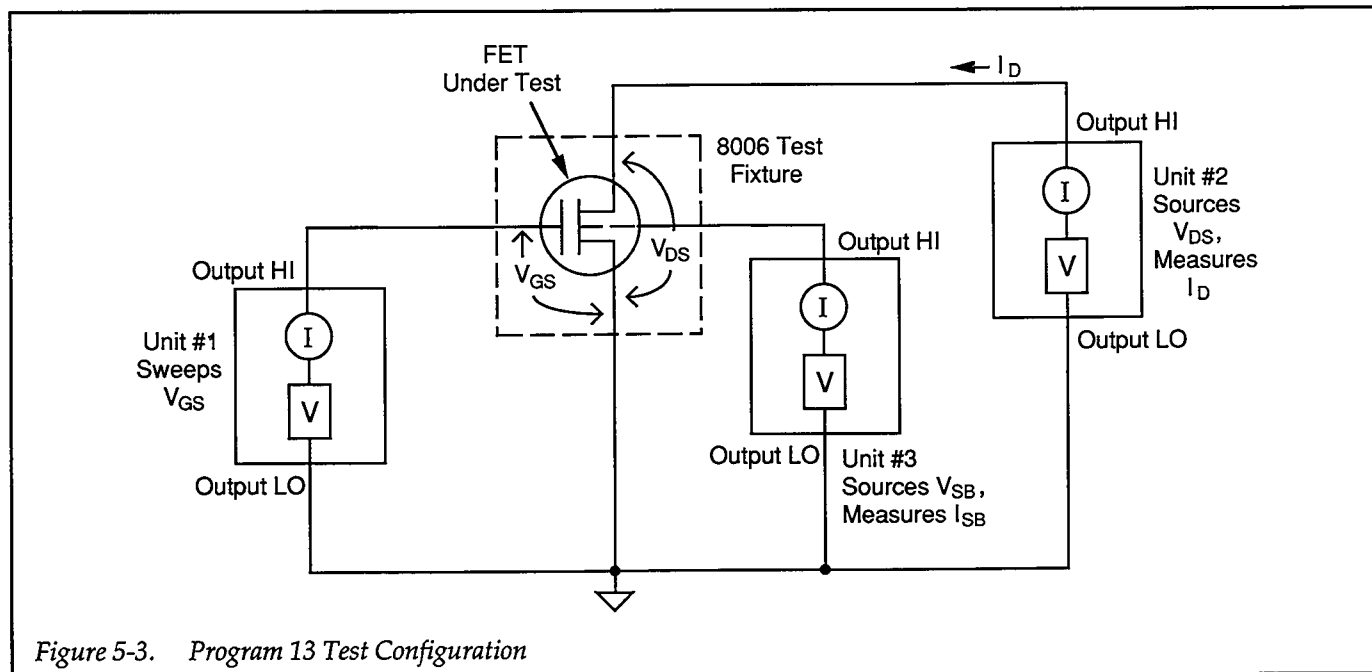


Figure 5-3. Program 13 Test Configuration

### 5.4.3 Typical Program 13 Results

Figure 5-4 shows a typical plot generated by example Program 13. This plot was made using a Keithley TG-51 MOSFET.

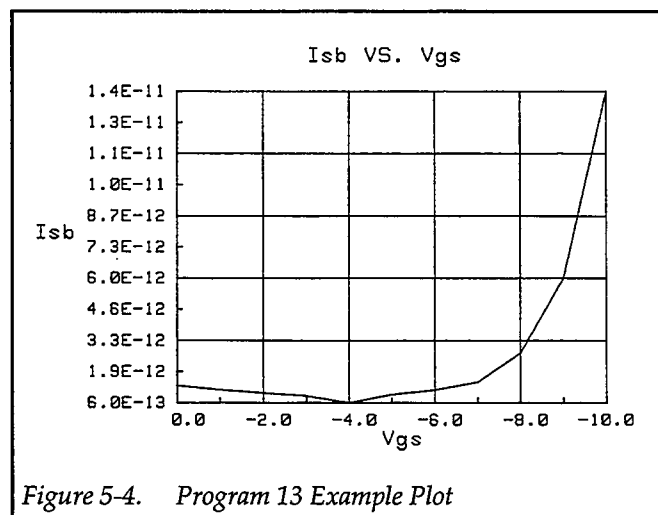


Figure 5-4. Program 13 Example Plot

### 5.4.4 Program 13 Description

For the description below, refer to the flowchart in Figure 5-5 and the Program 13 listing.

Initially, the reading array is defined for 11 points (line 40). After all three Source Measure Units are returned to default conditions (line 50), Unit #1, which sweeps  $V_{GS}$ , is configured as follows (lines 80-180):

- Source V, sweep mode
- $1\mu\text{A}$  compliance,  $1\mu\text{A}$  range
- Local sense
- External trigger, one trigger per source cycle, output trigger at end of delay
- Source only data format, no prefix, sweep data
- SRQ on sweep done
- Start  $V_{GS}$  voltage: 0V
- Stop  $V_{GS}$  voltage: -10V
- Step  $V_{GS}$  voltage: -1V
- Delay: 10sec
- Staircase sweep

Next, Unit #2, which sources  $V_{DS}$ , is set up to operate in the following manner (lines 200-260):

- Source V, dc mode
- Local sensing

- 100mA compliance, 100mA range
- GET trigger, continuous
- Fixed  $V_{DS}$  voltage: -10V

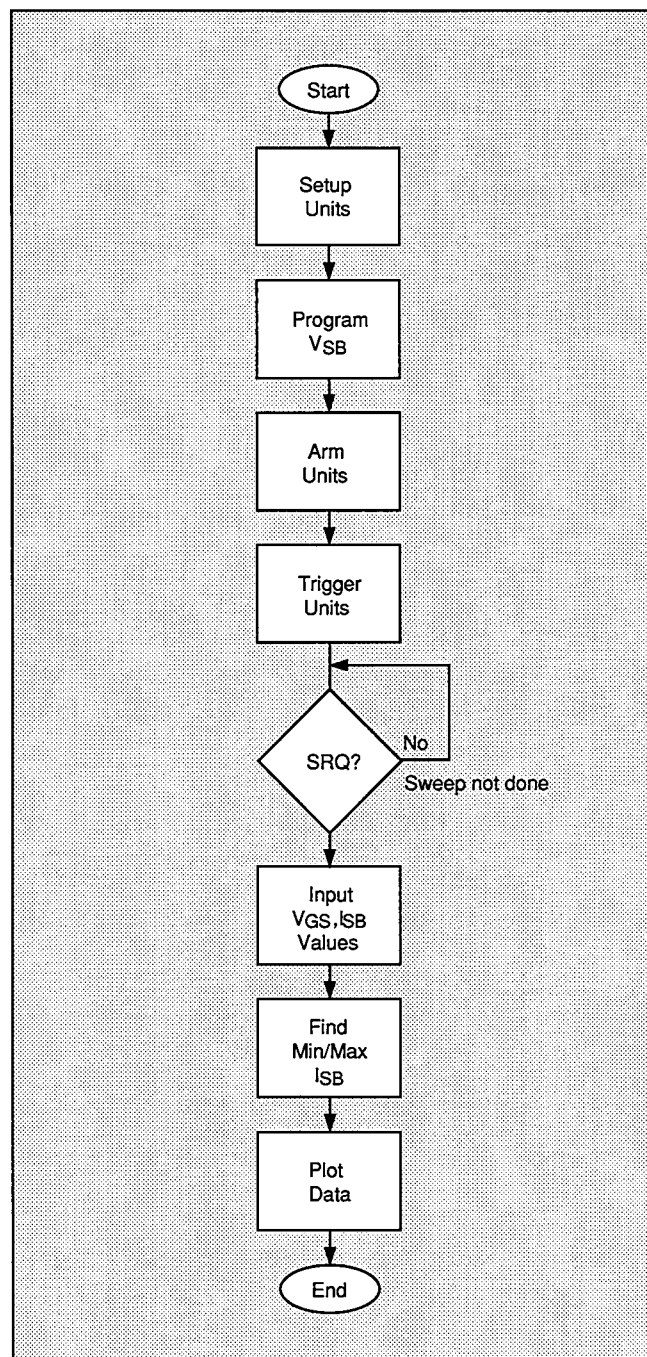


Figure 5-5. Program 13 Flowchart

Finally, Unit #3, which sources  $V_{SB}$  and measures  $I_{SB}$ , is programmed as follows (lines 280-370):

- Source V, sweep mode
- Local sensing
- $1\mu\text{A}$  compliance, autorange measure
- External trigger, output trigger at end of each measurement
- Line cycle integration, maximum filtering (32 readings)
- Constant sweep, 11 points, user programmed voltage value

After the operator signal to begin, (lines 380 and 390), all three Source Measure Units are armed and placed into operate (lines 400-420). Unit #2 is then triggered (line 430), and Unit #1 is triggered with the H0X command (line 440) to initiate the sweep.

When Unit #1 is triggered, it sets  $V_{GS}$  to the present value in its sweep list. At the end of the programmed delay period, Unit #1 triggers Unit #3 to take a current ( $I_{SB}$ ) measurement via the external trigger jacks. After Unit #3

measures  $I_{SB}$ , it externally triggers Unit #1 to go to the next point in the sweep, and the process repeats.

Meanwhile, the program waits in a loop for Unit #3 to finish its sweep (lines 450 and 460), as indicated by an SRQ. When Unit #3 finishes each sweep, it generates the SRQ, and the program falls out of the loop. The sweep data are then transmitted to the computer (lines 480-510), with  $V_{GS}$  placed into array elements (I,1), and  $I_{SB}$  values stored in array elements (I,2).

Next, all three units are placed in standby (lines 520-540), and, after operator signal to continue (lines 550-560), the maximum and minimum  $I_{SB}$  values are determined (lines 580-630). Finally, the data are plotted (lines 650-940), with  $I_{SB}$  along the Y axis, and  $V_{DS}$  along the X axis.

### 5.4.5 Modifying Program 13

For different sweeps, the  $V_{gstart}$ ,  $V_{gstop}$ , and  $V_{gstep}$  values can be changes as required. For different sweep lengths, array size and loop counter values must be adjusted accordingly. You can also change the  $V_{DS}$  value, if desired, by modifying that parameter accordingly.

```

10  REM SUBSTRATE CURRENT VS. GATE VOLTAGE TEST PROGRAM REV. 1.3 (Program 13)
20  REM SUBSTRATE BIAS AND MEASUREMENT BY SOURCE MEASURE UNIT
30  OPTION BASE 1                                ! First array subscript is 1
40  DIM Reading(11,2)                            ! Dimension reading array (11 points)
50  CLEAR 7                                       ! Clear instruments
60  OUTPUT KBD;CHR$(255);CHR$(75);              ! Clear screen
70  REM ***** Unit 1 setup (sweeps Vgs) *****
80  REMOTE 716                                    ! Put Unit 1 in remote
90  OUTPUT 716;"F0,1X"                          ! Source V, sweep mode
100 OUTPUT 716;"L1E-6,4X"                      ! 1uA compliance, 1uA range
110 OUTPUT 716;"00X"                            ! Local sense
120 OUTPUT 716;"T3,1,2,0X"                    ! External trigger,out trig end of delay
130 OUTPUT 716;"G1,2,1X"                      ! Source data,no prefix, sweep data
140 OUTPUT 716;"M2,X"                          ! SRQ on sweep done
145 OUTPUT 716;"B0,0,0X"                      ! Program 0 bias value
150 Vgstart=0                                    ! Define 0V start Vgs voltage
160 Vgstop=-10                                  ! Define -10V stop Vgs voltage
170 Vgstep=-1                                    ! Define -1V step Vgs voltage
180 Dly=10000                                    ! Define 10sec Unit delay
190 OUTPUT 716;"Q1,";Vgstart;",";Vgstop;",";Vgstep;","0,";Dly;"X" ! Pgm swp
200 REM ***** Unit 2 setup (sources Vds) *****
210 REMOTE 717                                    ! Put Unit 2 in remote
220 OUTPUT 717;"F0,0X"                         ! Source V, DC mode
230 OUTPUT 717;"00X"                            ! Local sensing
240 OUTPUT 717;"L100E-3,9X"                   ! 100mA compliance, 100mA range
250 OUTPUT 717;"T1,0,0,0X"                   ! Trigger on GET,continuous
260 Vds=-10                                     ! Define -10V Vds
270 OUTPUT 717;"B";Vds;","0,0X"              ! Program Vds
280 REM ***** Unit 3 Setup (sources Vsb,measures Isb) *****
290 REMOTE 718                                    ! Put Unit 3 in remote
300 OUTPUT 718;"F0,1X"                         ! Source V, sweep mode
310 OUTPUT 718;"00Z0X"                        ! Local sensing,suppress off
320 OUTPUT 718;"L1E-6,0X"                    ! 1uA compliance,autorange measure
330 OUTPUT 718;"T3,1,4,0X"                  ! Trigger on ext, out trig end of meas
340 OUTPUT 718;"G4,2,1X"                    ! Measure data,no prefix,sweep data
350 OUTPUT 718;"S2P5X"                      ! Line cycle integration,max filtering
355 OUTPUT 718;"B0,0,0X"                    ! Program 0 bias value
360 INPUT "Enter substrate bias (>0)",Vsub! Input desired substrate bias
370 OUTPUT 718;"Q0,";Vsub;","0,";Dly;"11X" ! Program substrate bias
380 PRINT "Close lid, press CONT to begin test"
390 PAUSE
400 OUTPUT 716;"R1N1X"                        ! Arm Unit 1 trigger,turn on output
410 OUTPUT 717;"R1N1X"                        ! Arm Unit 2 trigger,turn on output
420 OUTPUT 718;"R1N1X"                        ! Arm Unit 3 trigger,turn on output
430 TRIGGER 717                                ! Trigger Unit 2
440 OUTPUT 716;"H0X"                          ! Trigger Unit 1 to start sweep
450 STATUS 7,7;Stat                            ! Get bus status
460 IF NOT BIT(Stat,10) THEN 450              ! Wait for SRQ
470 Stat=SPOLL(716)                            ! Serial poll Unit 1 to clear SRQ
480 FOR I=1 TO 11                              ! Loop for all 11 readings
490 ENTER 716;Reading(I,1)                   ! Get Vgs data from Unit 2
500 ENTER 718;Reading(I,2)                   ! Get Isb data from Unit 3

```

**SECTION 5**  
*Using Substrate Bias*

```
510 NEXT I ! Loop back for next Vgs value
520 OUTPUT 716;"N0X" ! Turn off Unit 1 output
530 OUTPUT 717;"N0X" ! Turn off Unit 2 output
540 OUTPUT 718;"N0X" ! Turn off Unit 3 output
550 PRINT "Press CONT to display graph"
560 PRINT "Press CONT while in graph to return to BASIC"
570 PAUSE
580 Ymin=MAXREAL ! Find minimum and maximum Isb value
590 Ymax=-MAXREAL
600 FOR I=1 TO 11
610 IF Reading(I,2)<Ymin THEN Ymin=Reading(I,2)
620 IF Reading(I,2)>Ymax THEN Ymax=Reading(I,2)
630 NEXT I
640 OUTPUT KBD;CHR$(255);CHR$(75); ! Clear screen
650 GINIT ! Initialize graphics
660 PLOTTER IS CRT,"INTERNAL" ! Define plot to CRT
670 GRAPHICS ON ! Turn on graphics
680 MOVE 55,90 ! Title graph
690 LABEL "Isb VS. Vgs"
700 MOVE 70,10 ! Label X axis
710 LABEL "Vgs"
720 MOVE 0,53 ! Label Y axis
730 LABEL "Isb"
740 VIEWPORT 30,120,20,85 ! Define soft clip limits
750 WINDOW Vgstart,Vgstop,Ymin,Ymax ! Scale graph
760 Y1=(Ymax-Ymin)/10 ! Compute Y axis increment
770 X1=(Vgstop-Vgstart)/10 ! Compute X axis increment
780 GRID 2*X1,2*Y1,Vgstart,Ymin ! Draw grid
790 AXES X1,Y1,Vgstart,Ymin ! Add some tick marks
800 PLOT Reading(*) ! Plot reading array
810 CSIZE 4 ! Define character size
820 LORG 6 ! Center characters
830 CLIP OFF ! Turn off soft clipping
840 FOR I=Vgstart TO Vgstop+.01*X1 STEP 2*X1 ! Number X axis
850 MOVE I,Ymin-(Y1/4)
860 LABEL USING "#,MDD.D";I
870 NEXT I
880 FOR I=Ymin TO Ymax+.01*Y1 STEP Y1 ! Number Y axis
890 MOVE Vgstart-(1.3*X1),I+(.3*Y1)
900 LABEL USING "#,MD.DE";I
910 NEXT I
920 PAUSE
930 OUTPUT KBD;CHR$(255);CHR$(75); ! Clear alpha screen
940 GRAPHICS OFF ! Clear graphics screen
950 END
```

### 5.4.6 Program 14 Test Configuration

Figure 5-6 shows the test configuration for Program 14 listed below. Unit #1 is used to sweep  $V_{GS}$ , while Unit #2 sweeps  $V_{DS}$  and measures  $I_D$ . Unit #3 applies a user-defined substrate bias to the device under test. Common source characteristics are generated by data taken when the program is run.

### 5.4.7 Example Program 14: Common-source Characteristics with Source Measure Unit Substrate Bias

Program 14 below demonstrates common-source characteristic test programming with substrate bias. Follow the steps below to use this program.

1. With the power off, connect all three Source Measure Units to the IEEE-488 bus of the computer.
2. Connect all three units to the test fixture using suitable triax cables (see Figure 5-1 for details on test connections).
3. Turn on all three units, and allow them to warm up for at least two hours for rated accuracy. Verify that the primary address of Unit #1 is set to 16, the pri-

mary address of Unit #2 is at 17, and the primary address of Unit #3 is set to 18.

4. Turn on the computer, then boot up BASIC.
5. Enter the lines from Program 14 below into the computer.
6. Place a packaged device containing N-channel, depletion-mode FETs in the appropriate test fixture socket (the devices should have characteristics similar to the 2N4392 JFET used for other examples in this section). Install the correct jumpers (including substrate bias connections), then close the test fixture lid.
7. RUN the program in the usual fashion. Enter the desired value of substrate bias when prompted to do so.
8. The unit will then step through  $V_{GS}$  values between  $-2V$  and  $0V$  using  $0.5V$  steps. At each step,  $V_{DS}$  will be stepped between  $0V$  and  $10V$  at  $0.1V$  increments. At each increment,  $I_D$  will be measured. Once data are collected, a plot of  $I_D$  vs.  $V_{DS}$  for each  $V_{GS}$  value will be displayed.
9. To return to BASIC from the graph, press CONT.

### 5.4.8 Typical Program 14 Results

Figure 5-7 shows a typical plot generated by example Program 14.

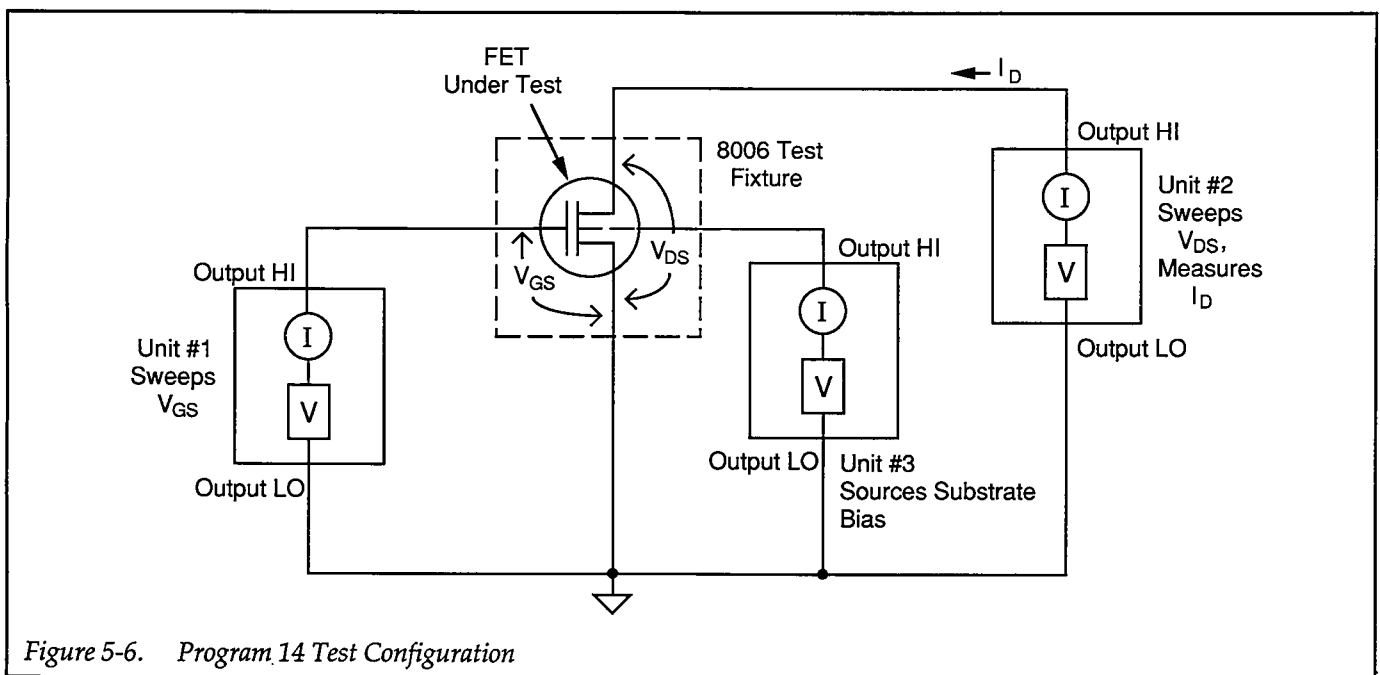
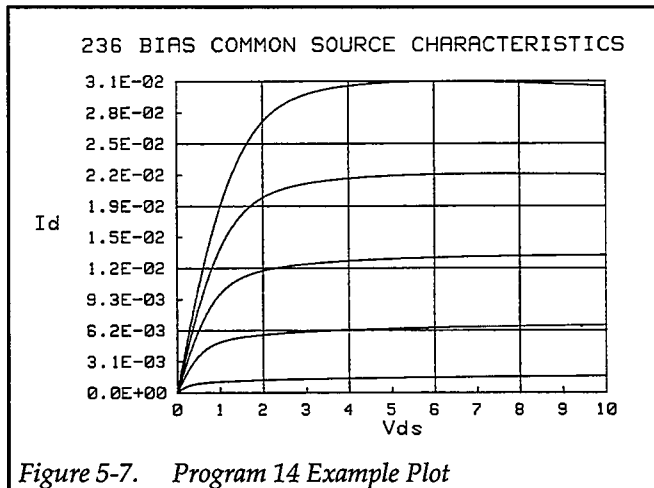


Figure 5-6. Program 14 Test Configuration



### 5.4.9 Program 14 Description

For the description below, refer to the flowchart in Figure 5-8 and the Program 14 listing.

Initially, the reading array is defined for five sweeps with 101 points each (lines 30 and 40). After all three Source Measure Units are returned to default conditions (line 50), Unit #1, which sweeps  $V_{GS}$ , is configured as follows (lines 80-170):

- Source V, sweep mode
- 1mA compliance, 1mA range
- Local sense
- Get trigger, one trigger per source cycle, output trigger at end of delay
- Start  $V_{GS}$  voltage: -2V
- Stop  $V_{GS}$  voltage: 0V
- Step  $V_{GS}$  voltage: 0.5V
- Delay: 100msec
- Staircase sweep

Next, Unit #2, which sweeps  $V_{DS}$  and measures  $I_D$ , is set up to operate in the following manner (lines 200-310):

- Source V, sweep mode
- Local sensing
- 100mA compliance, autorange measure
- Source and measure data format, no prefix, sweep data
- SRQ on sweep done
- External trigger, continuous
- Line cycle integration
- Suppress enabled
- Start  $V_{DS}$  voltage: 0V
- Stop  $V_{DS}$  voltage: 10V

- Step  $V_{DS}$  voltage: 0.1V
- Delay: 100msec
- Staircase sweep

Finally, Unit #3, which provides substrate bias, is programmed as follows (lines 330-390):

- Source V, dc mode
- Local sensing
- 10mA compliance, autorange measure
- Trigger on GET, continuous
- Dc output, voltage determined by user input

After the operator signal to begin, (lines 400 and 410), all three Source Measure Units are armed and placed into operate (lines 420-440). Unit #3 is then triggered (line 450), and the program enters the main program loop to perform five  $I_D$  vs.  $V_{DS}$  sweeps, one for each of five  $V_{GS}$  values (line 460).

Unit #1 is GET triggered to initiate each sweep, at which point it sets  $V_{GS}$  to the present value in its sweep list. At the end of the programmed delay period, Unit #1 triggers Unit #2 to begin its sweep via the external trigger jacks. Unit #2 then cycles through its sweep list, setting  $V_{DS}$  to the required values, and measuring  $I_D$  at each step along the way.

Meanwhile, the program waits in a loop for Unit #2 to finish its sweep (lines 490 and 500), as indicated by an SRQ. When Unit #2 finishes each sweep, it generates the SRQ, and the program falls through the loop. The sweep data are then transmitted to the computer (lines 520-540), with  $V_{DS}$  placed into array elements (I,J,1), and  $I_D$  values stored in array elements (I,J,2). The program then loops back for the next sweep until all five sweeps have been performed (line 550).

Next, all three units are placed in standby (lines 560-580), and, after operator signal to continue (lines 570-580), the maximum and minimum  $I_D$  values are determined (lines 620-690). Finally, the data are plotted (lines 710-1050), with  $I_D$  along the Y axis, and  $V_{DS}$  along the X axis.

### 5.4.10 Modifying Program 14

For different sweeps, the  $V_{gstart}$ ,  $V_{gstop}$ ,  $V_{gstep}$ ,  $V_{dstart}$ ,  $V_{dstop}$ , and  $V_{dstep}$  values can be changed as required. For different sweep lengths, array size and loop counter values must be adjusted accordingly.



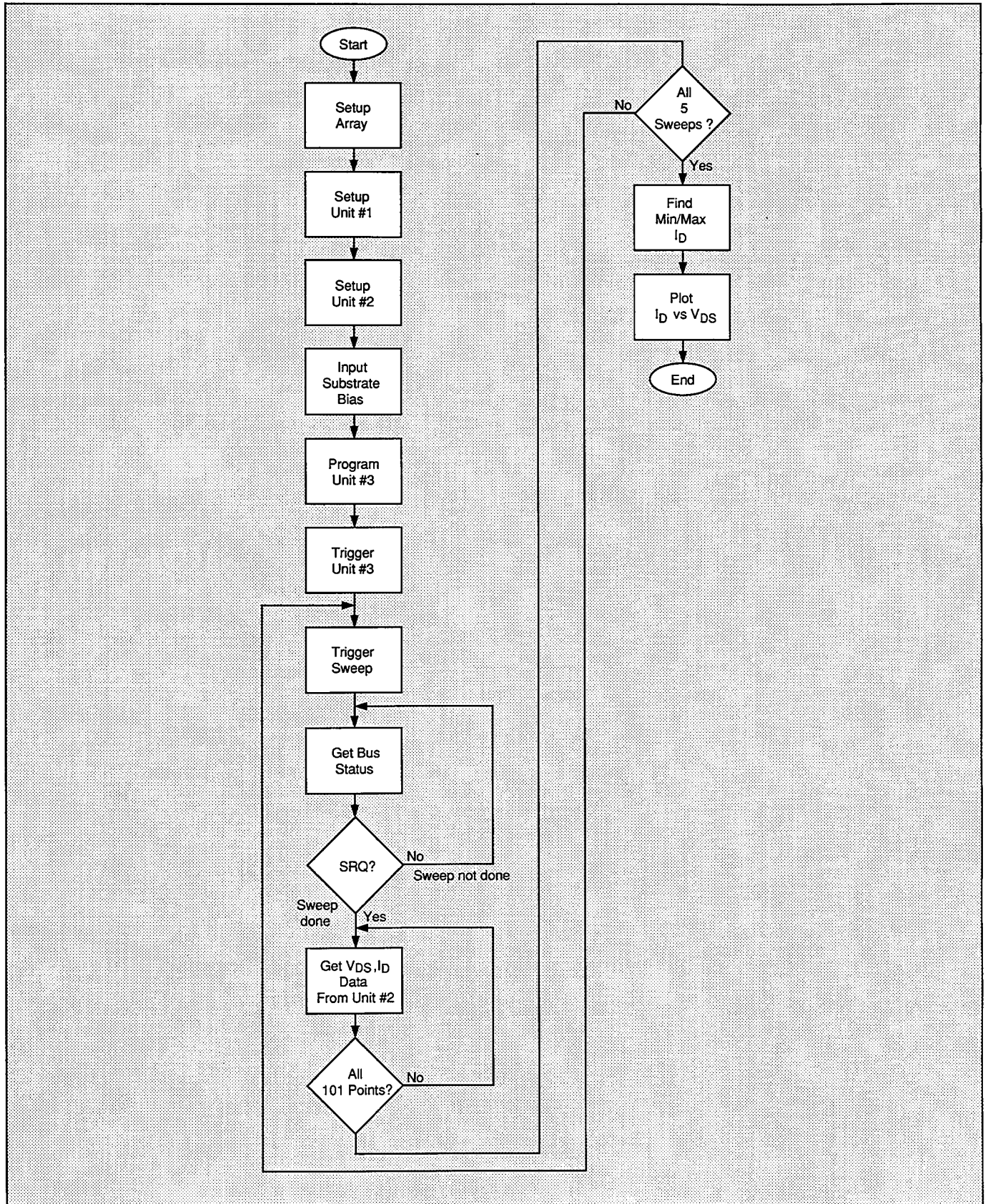


Figure 5-8. Program 14 Flowchart

**SECTION 5**  
*Using Substrate Bias*

```

10  REM COMMON SOURCE CHARACTERISTIC TEST PROGRAM REV. 1.3 (Program 14)
20  REM INCLUDES SUBSTRATE BIAS PROGRAMMING FOR Unit 3
30  OPTION BASE 1                                ! First array subscript is 1
40  DIM Reading(5,101,2)                          ! Dimension reading array (5 swps,100 pts)
50  CLEAR 7                                        ! Clear instruments
60  OUTPUT KBD;CHR$(255);CHR$(75);                ! Clear screen
70  REM ***** Unit 1 setup (sweeps Vgs) *****
80  REMOTE 716                                    ! Put Unit 1 in remote
90  OUTPUT 716;"F0,1X"                            ! Source V, sweep mode
100 OUTPUT 716;"L1E-3,7X"                         ! 1mA compliance, 1mA range
110 OUTPUT 716;"00X"                              ! Local sense
120 OUTPUT 716;"T1,1,2,0X"                        ! GET trigger cycle,out trig end of delay
125 OUTPUT 716;"B0,0,0X"                          ! Program 0 bias value
130 Vgstart=-2                                     ! Define -2V start Vgs voltage
140 Vgstop=0                                       ! Define 0V stop Vgs voltage
150 Vgstep=.5                                      ! Define 0.5V step Vgs voltage
160 Dly=100                                        ! Define 100msec Unit delay
170 OUTPUT 716;"Q1,";Vgstart;",";Vgstop;",";Vgstep;"",0,";Dly;"X" ! Pgm swp
180 REM ***** Unit 2 setup (sweeps Vds, measures Id) *****
190 REMOTE 717                                    ! Put Unit 2 in remote
200 OUTPUT 717;"F0,1X"                            ! Source V, sweep mode
210 OUTPUT 717;"00X"                              ! Local sensing
220 OUTPUT 717;"L100E-3,0X"                       ! 100mA compliance,autorange measure
230 OUTPUT 717;"G5,2,1X"                          ! Source,measure,no prefix,sweep data
240 OUTPUT 717;"M2,X"                             ! SRQ on sweep done
250 OUTPUT 717;"T3,0,0,0X"                        ! Trigger on external,continuous
260 OUTPUT 717;"S2X"                              ! Line cycle integration
265 OUTPUT 717;"B0,0,0X"                          ! Program 0 bias value
270 OUTPUT 717;"Z1X"                              ! Enable suppress
280 Vdstart=0                                      ! Define 0V start Vds
290 Vdstop=10                                     ! Define 10V stop Vds
300 Vdstep=.1                                     ! Define 0.1V step Vds
310 OUTPUT 717;"Q1,";Vdstart;",";Vdstop;",";Vdstep;"",0,";Dly;"X" ! Pgm swp
320 REM ***** Unit 3 Setup (provides substrate bias) *****
330 REMOTE 718                                    ! Put Unit 3 in remote
340 OUTPUT 718;"F0,0X"                            ! Source V, DC mode
350 OUTPUT 718;"00X"                              ! Local sensing
360 OUTPUT 718;"L1E-3,7X"                         ! 1mA compliance, 1mA range
370 OUTPUT 718;"T1,0,0,0X"                        ! Trigger on GET, continuous
380 INPUT "Enter substrate bias",Vsub! Input desired substrate bias voltage
390 OUTPUT 718;"B";Vsub;"",0,0X"                  ! Program substrate bias
400 PRINT "Close lid, press CONT to begin test"
410 PAUSE
420 OUTPUT 716;"R1N1X"                            ! Arm Unit 1 trigger,turn on output
430 OUTPUT 717;"R1N1X"                            ! Arm Unit 2 trigger, turn on output
440 OUTPUT 718;"R1N1X"                            ! Arm Unit 3 trigger, turn on output
450 TRIGGER 718                                    ! Trigger Unit 3
460 FOR I=1 TO 5                                  ! Loop for five Vgs curves
470 PRINT "Generating sweep";I
480 TRIGGER 716                                    ! Trigger Unit 1 to start sweep
490 STATUS 7,7;Stat                                ! Get IEEE-488 bus status
500 IF NOT BIT(Stat,10) THEN 490                  ! Wait for Unit 2 SRQ on sweep done

```

```
510 Stat=SPOLL(717)           ! Serial poll Unit 2 to clear SRQ
520 FOR J=1 TO 101           ! Loop for all 101 readings
530 ENTER 717;Reading(I,J,1),Reading(I,J,2) ! Get reading data from Unit 2
540 NEXT J                   ! Loop back for next reading
550 NEXT I                   ! Loop back for next Vgs value
560 OUTPUT 716;"N0X"        ! Turn off Unit 1 output
570 OUTPUT 717;"N0X"        ! Turn off Unit 2 output
580 OUTPUT 718;"N0X"        ! Turn off Unit 3 output
590 PRINT "Press CONT to display graph"
600 PRINT "Press CONT while in graph to return to BASIC"
610 PAUSE
620 Ymin=MAXREAL             ! Find minimum and maximum Id value
630 Ymax=-MAXREAL
640 FOR I=1 TO 5
650 FOR J=1 TO 101
660 IF Reading(I,J,2)<Ymin THEN Ymin=Reading(I,J,2)
670 IF Reading(I,J,2)>Ymax THEN Ymax=Reading(I,J,2)
680 NEXT J
690 NEXT I
700 OUTPUT KBD;CHR$(255);CHR$(75); ! Clear screen
710 GINIT                   ! Initialize graphics
720 PLOTTER IS CRT,"INTERNAL" ! Define plot to CRT
730 GRAPHICS ON             ! Turn on graphics
740 MOVE 10,90              ! Title graph
750 LABEL "236 BIAS COMMON SOURCE CHARACTERISTICS"
760 MOVE 70,10              ! Label X axis
770 LABEL "Vds"
780 MOVE 0,53               ! Label Y axis
790 LABEL "Id"
800 VIEWPORT 30,120,20,85  ! Define soft clip limits
810 WINDOW Vdstart,Vdstop,Ymin,Ymax ! Scale graph
820 YI=(Ymax-Ymin)/10      ! Compute Y axis increment
830 X1=(Vdstop-Vdstart)/10 ! Compute X axis increment
840 GRID 2*X1,2*Y1,Vdstart,Ymin ! Draw grid
850 AXES X1,Y1,Vdstart,Ymin ! Add some tick marks
860 FOR I=1 TO 5           ! Loop for all five curves
870 FOR J=1 TO 101        ! Loop for all 101 points per curve
880 PLOT Reading(I,J,1),Reading(I,J,2) ! Plot point
890 NEXT J                ! Plot next point
900 PENUP
910 NEXT I                ! Plot next curve
920 CSIZE 4               ! Define character size
930 LOG 6                 ! Center characters
940 CLIP OFF              ! Turn off soft clipping
950 FOR I=Vdstart TO Vdstop+.01*X1 STEP X1 ! Number X axis
960 MOVE I,Ymin-(Y1/4)
970 LABEL USING "#,K";I
980 NEXT I
990 FOR I=Ymin TO Ymax+.01*Y1 STEP Y1 ! Number Y axis
1000 MOVE Vdstart-(1.3*X1),I+(.3*Y1)
```

```

1010 LABEL USING "#,MD.DE";I
1020 NEXT I
1030 PAUSE
1040 OUTPUT KBD;CHR$(255);CHR$(75); ! Clear alpha screen
1050 GRAPHICS OFF ! Clear graphics screen
1060 END

```

## 5.5 VOLTAGE SOURCE SUBSTRATE BIASING

The following paragraphs discuss using a Model 230 Programmable Voltage Source to bias the substrate. Once again, the example programs included in this paragraph are modified versions of the common-source and common-emitter characteristic test programs presented earlier in this manual.

### 5.5.1 Program 15 Test Configuration

Figure 5-9 shows the test configuration for Program 15 listed below. Unit #1 is used to sweep  $V_{GS}$ . Unit #2 sweeps  $V_{DS}$ , and the instrument also measures  $I_D$ . The Model 230 Voltage Source applies a substrate bias (defined by the user) to the device under test.

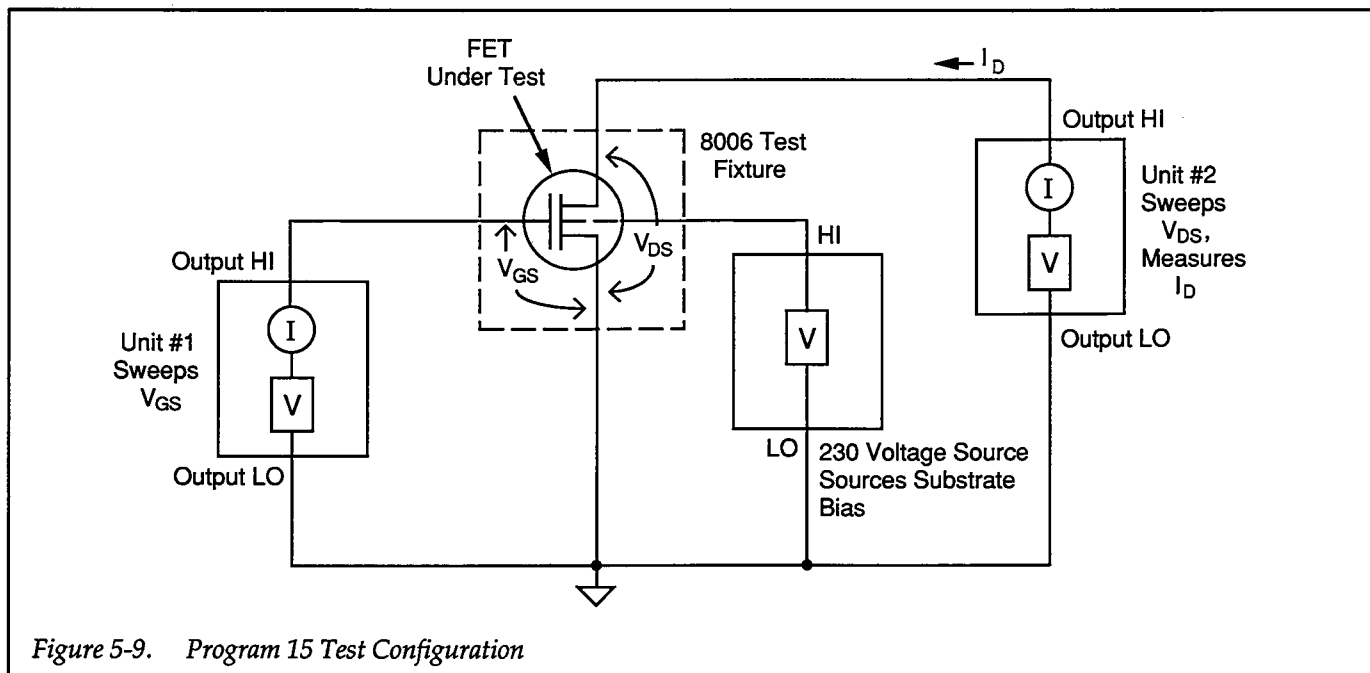


Figure 5-9. Program 15 Test Configuration

### 5.5.2 Example Program 15: Common-source Characteristics with Voltage Source Substrate Bias

Program 15 below demonstrates common-source characteristic test programming with substrate bias applied by a separate voltage source. Proceed as outlined below.

1. With the power off, connect both Source Measure Units and the voltage source to the IEEE-488 bus of the computer.
2. Connect both units to the test fixture using suitable triax cables. Also, connect the voltage source output to the binding posts (or use BNC connections for shielding). See Figure 5-2 for details on test connections.
3. Turn on all three instruments, and allow them to warm up for at least two hours for rated accuracy. Verify that the primary address of Unit #1 is set to 16, the primary address of Unit #2 is set to 17, and that the primary address of the voltage source is set to 13.
4. Turn on the computer, then boot up BASIC.
5. Enter the lines from Program 15 below into the computer.
6. Place a device containing an N-channel, depletion-mode FET in the appropriate test fixture socket (FET characteristics should be similar to those of the 2N4392 JFET used for other examples in this section). Install the correct jumpers (including substrate bias connections), then close the test fixture lid.
7. RUN the program in the usual fashion. Enter the desired value of substrate bias when prompted to do so.
8. The computer will then step through  $V_{GS}$  values between  $-2V$  and  $0V$  using  $0.5V$  steps. At each step,  $V_{DS}$  will be stepped between  $0V$  and  $10V$  at  $0.1V$  increments. At each increment,  $I_D$  will be measured. Once data are collected, a plot of  $I_D$  vs.  $V_{DS}$  for each  $V_{GS}$  value will be displayed.
9. To return to BASIC from the graph, press CONT.

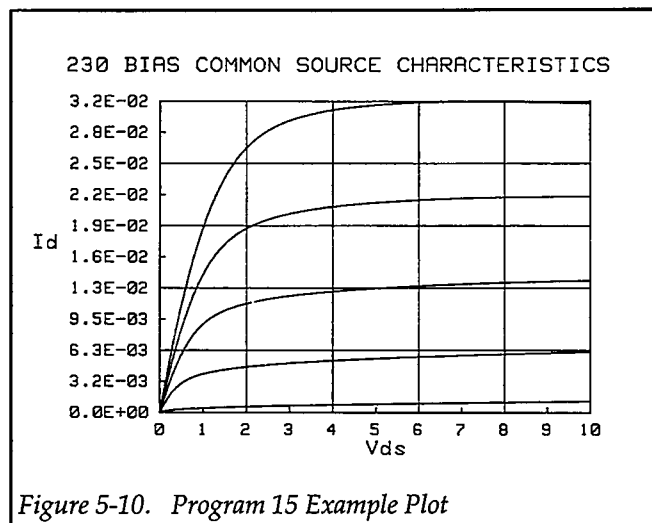
### 5.5.3 Typical Program 15 Results

A typical plot generated by Program 15 is shown in Figure 5-10.

### 5.5.4 Program 15 Description

For the description below, refer to the flowchart in Figure 5-11 and the Program 15 listing also shown below.

First, the reading array is defined for five sweeps with 101 points each (lines 30 and 40). After all three instru-



ments are returned to default conditions (line 50), Unit #1, which sweeps  $V_{GS}$ , is configured as follows (lines 80-170):

- Source V, sweep mode
- 1mA compliance, 1mA range
- Local sense
- Get trigger, one trigger per source cycle, output trigger at end of delay
- Start  $V_{GS}$  voltage:  $-2V$
- Stop  $V_{GS}$  voltage:  $0V$
- Step  $V_{GS}$  voltage:  $0.5V$
- Delay: 100msec
- Staircase sweep

Next, Unit #2, which sweeps  $V_{DS}$  and measures  $I_D$ , is set up to operate in the following manner (lines 190-310):

- Source V, sweep mode
- Local sensing
- 100mA compliance, autorange measure
- Source and measure data format, no prefix, sweep data
- SRQ on sweep done
- External trigger, continuous
- Line cycle integration
- Suppress enabled
- Start  $V_{DS}$  voltage:  $0V$
- Stop  $V_{DS}$  voltage:  $10V$
- Step  $V_{DS}$  voltage:  $0.1V$
- Delay: 100msec
- Staircase sweep

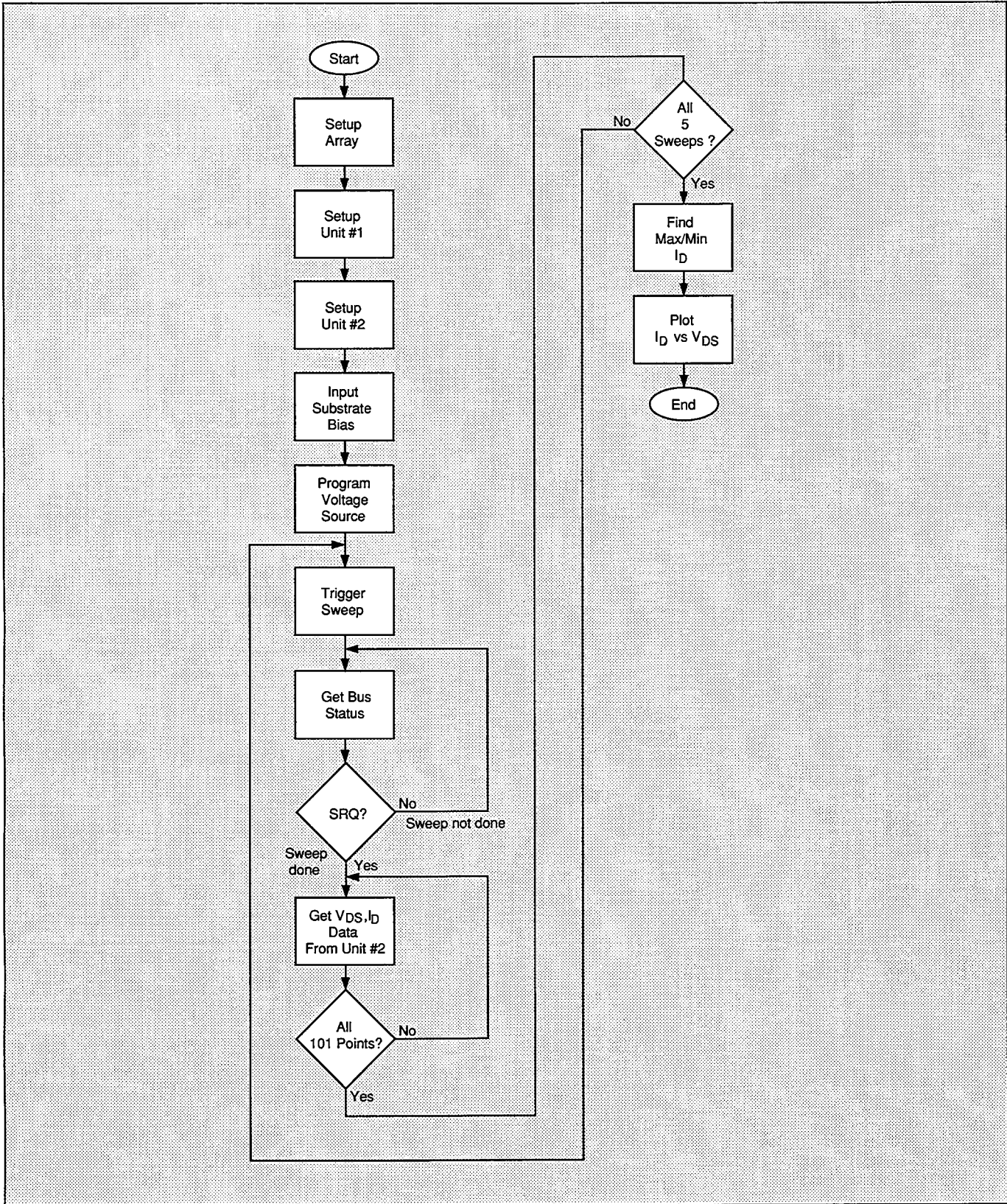


Figure 5-11. Program 15 Flowchart

Finally, the Model 230 Voltage Source, which provides substrate bias, is programmed with the user-input substrate bias voltage (lines 330-350).

After the operator signal to begin, (lines 360 and 370), both Source Measure Units are armed and placed into operate (lines 380 and 390). The voltage source output is turned on (line 400), and the program enters the main program loop to perform five  $I_D$  vs.  $V_{DS}$  sweeps, one for each of five  $V_{GS}$  values (line 410).

Unit #1 is GET triggered to initiate each sweep, at which point it sets  $V_{GS}$  to the present value in its sweep list. At the end of the programmed delay period, Unit #1 triggers Unit #2 to begin its sweep via the external trigger jacks. Unit #2 then cycles through its sweep list, setting  $V_{DS}$  to the required values, and measuring  $I_D$  at each step along the way.

At the same time, the program waits in a loop for Unit #2 to finish its sweep (lines 440 and 450), as indicated by an

SRQ. When Unit #2 finishes each sweep, it generates the SRQ, and the program falls through the loop. The sweep data are then transmitted to the computer (lines 470-490), with  $V_{DS}$  placed into array elements (I,J,1), and  $I_D$  values stored in array elements (I,J,2). The program then loops back for the next sweep until all five sweeps have been performed (line 500).

Next, both units and the voltage source are placed in standby (lines 510-530), and, after operator signal to continue (lines 540 and 550), the maximum and minimum  $I_D$  values are determined (lines 70-640). Finally, the data are plotted (lines 660-1000), with  $I_D$  along the Y axis, and  $V_{DS}$  along the X axis.

### 5.5.5 Modifying Program 15

For different sweeps, the  $V_{gstart}$ ,  $V_{gstop}$ ,  $V_{gstep}$ ,  $V_{dstart}$ ,  $V_{dstop}$ , and  $V_{dstep}$  values can be changed as required. For different sweep lengths, array size and loop counter values must be adjusted accordingly.

**SECTION 5**  
*Using Substrate Bias*

```

10  REM COMMON SOURCE CHARACTERISTIC TEST PROGRAM REV. 1.3 (Program 15)
20  REM INCLUDES SUBSTRATE BIAS PROGRAMMING FOR 230 VOLTAGE SOURCE
30  OPTION BASE 1                ! First array subscript is 1
40  DIM Reading(5,101,2)        ! Dimension reading array (5 swps,101 pts)
50  CLEAR 7                      ! Clear instruments
60  OUTPUT KBD;CHR$(255);CHR$(75); ! Clear screen
70  REM ***** Unit 1 setup (sweeps Vgs) *****
80  REMOTE 716                   ! Put Unit 1 in remote
90  OUTPUT 716;"F0,1X"          ! Source V, sweep mode
100 OUTPUT 716;"L1E-3,7X"       ! 1mA compliance, 1mA range
110 OUTPUT 716;"00X"           ! Local sense
120 OUTPUT 716;"T1,1,2,0X"      ! GET trigger cycle,out trig end of delay
125 OUTPUT 716;"B0,0,0X"       ! Program 0 bias value
130 Vgstart=-2                  ! Define -2V start Vgs voltage
140 Vgstop=0                    ! Define 0V stop Vgs voltage
150 Vgstep=.5                   ! Define 0.5V step Vgs voltage
160 Dly=100                     ! Define 100msec Unit delay
170 OUTPUT 716;"Q1,";Vgstart;",";Vgstop;",";Vgstep;"",0,";Dly;"X" ! Pgm swp
180 REM ***** Unit 2 setup (sweeps Vgs, measures Id) *****
190 REMOTE 717                   ! Put Unit 2 in remote
200 OUTPUT 717;"F0,1X"          ! Source V, sweep mode
210 OUTPUT 717;"00X"           ! Local sensing
220 OUTPUT 717;"L100E-3,0X"     ! 100mA compliance,autorange measure
230 OUTPUT 717;"G5,2,1X"        ! Source,measure,no prefix,sweep data
240 OUTPUT 717;"M2,X"           ! SRQ on sweep done
250 OUTPUT 717;"T3,0,0,0X"      ! Trigger on external,continuous
260 OUTPUT 717;"S2X"           ! Line cycle integration
265 OUTPUT 717;"B0,0,0X"       ! Program 0 bias value
270 OUTPUT 717;"Z1X"           ! Enable suppress
280 Vdstart=0                   ! Define 0V start Vds
290 Vdstop=10                   ! Define 10V stop Vds
300 Vdstep=.1                   ! Define 0.1V step Vds
310 OUTPUT 717;"Q1,";Vdstart;",";Vdstop;",";Vdstep;"",0,";Dly;"X" ! Pgm swp
320 REM ***** 230 voltage source setup (provides substrate bias) *****
330 REMOTE 713                   ! Put 230 in remote
340 INPUT "Enter substrate bias",Vsub! Input desired substrate bias voltage
350 OUTPUT 713;"V";Vsub;"X"     ! Program substrate bias
360 PRINT "Close lid, press CONT to begin test"
370 PAUSE
380 OUTPUT 716;"R1N1X"          ! Arm Unit 1 trigger, turn on output
390 OUTPUT 717;"R1N1X"          ! Arm Unit 2 trigger, turn on output
400 OUTPUT 713;"F1X"           ! Turn on 230 output
410 FOR I=1 TO 5                 ! Loop for five Vgs curves
420 PRINT "Generating sweep";I
430 TRIGGER 716                 ! Trigger Unit 1 to start sweep
440 STATUS 7,7;Stat             ! Get IEEE-488 bus status
450 IF NOT BIT(Stat,10) THEN 440 ! Wait for Unit 2 SRQ on sweep done
460 Stat=SPOLL(717)             ! Serial poll Unit 2 to clear SRQ
470 FOR J=1 TO 101              ! Loop for all 101 readings
480 ENTER 717;Reading(I,J,1),Reading(I,J,2) ! Get reading data from Unit 2
490 NEXT J                      ! Loop back for next reading
500 NEXT I                      ! Loop back for next Vgs value
510 OUTPUT 716;"N0X"           ! Turn off Unit 1 output

```



```
520 OUTPUT 717;"N0X"           ! Turn off Unit 2 output
530 OUTPUT 713;"F0X"           ! Turn off 230 output
540 PRINT "Press CONT to display graph"
550 PRINT "Press CONT while in graph to return to BASIC"
560 PAUSE
570 Ymin=MAXREAL               ! Find minimum and maximum Id value
580 Ymax=-MAXREAL
590 FOR I=1 TO 5
600 FOR J=1 TO 101
610 IF Reading(I,J,2)<Ymin THEN Ymin=Reading(I,J,2)
620 IF Reading(I,J,2)>Ymax THEN Ymax=Reading(I,J,2)
630 NEXT J
640 NEXT I
650 OUTPUT KBD;CHR$(255);CHR$(75); ! Clear screen
660 GINIT                       ! Initialize graphics
670 PLOTTER IS CRT,"INTERNAL"    ! Define plot to CRT
680 GRAPHICS ON                 ! Turn on graphics
690 MOVE 10,90                  ! Title graph
700 LABEL "230 BIAS COMMON SOURCE CHARACTERISTICS"
710 MOVE 70,10                  ! Label X axis
720 LABEL "Vds"
730 MOVE 0,53                   ! Label Y axis
740 LABEL "Id"
750 VIEWPORT 30,120,20,85      ! Define soft clip limits
760 WINDOW Vdstart,Vdstop,Ymin,Ymax ! Scale graph
770 Y1=(Ymax-Ymin)/10          ! Compute Y axis increment
780 X1=(Vdstop-Vdstart)/10     ! Compute X axis increment
790 GRID 2*X1,2*Y1,Vdstart,Ymin ! Draw grid
800 AXES X1,Y1,Vdstart,Ymin    ! Add some tick marks
810 FOR I=1 TO 5                ! Loop for all five curves
820 FOR J=1 TO 101              ! Loop for all 101 points per curve
830 PLOT Reading(I,J,1),Reading(I,J,2) ! Plot point
840 NEXT J                      ! Plot next point
850 PENUP
860 NEXT I                      ! Plot next curve
870 CSIZE 4                     ! Define character size
880 LORG 6                      ! Center characters
890 CLIP OFF                    ! Turn off soft clipping
900 FOR I=Vdstart TO Vdstop+.01*X1 STEP X1 ! Number X axis
910 MOVE I,Ymin-(Y1/4)
920 LABEL USING "#,K";I
930 NEXT I
940 FOR I=Ymin TO Ymax+.01*Y1 STEP Y1 ! Number Y axis
950 MOVE Vdstart-(1.3*X1),I+(.3*Y1)
960 LABEL USING "#,MD.DE";I
970 NEXT I
980 PAUSE
990 OUTPUT KBD;CHR$(255);CHR$(75); ! Clear alpha screen
1000 GRAPHICS OFF              ! Clear graphics screen
1010 END
```

### 5.5.6 Program 16 Test Configuration

Figure 5-12 shows the test configuration for Program 16 listed below. Unit #1 is used to sweep  $I_B$ , while Unit #2 sweeps  $V_{CE}$  and measures  $I_C$ . The voltage source applies a user-programmed substrate bias to the device under test.

### 5.5.7 Example Program 16: Common-emitter Characteristics with Voltage Source Substrate Bias

Program 16 below demonstrates common-emitter characteristic test programming with substrate bias. Proceed as follows:

1. With the power off, connect both Source Measure Units and the voltage source to the IEEE-488 bus of the computer.
2. Connect both units to the test fixture using suitable triax cables, and connect the voltage source to the binding posts using patch cords (or use coax cable and BNC connections for shielding). See Figure 5-2 for details on test connections.
3. Turn on all three instruments, and allow them to warm up for at least two hours for rated accuracy. Verify that the primary address of Unit #1 is set to 16,

the primary address of Unit #2 is set to 17, and the primary address of the Model 230 Voltage Source is set to 13.

4. Turn on the computer, then boot up BASIC.
5. Enter the lines from Program 16 below into the computer.
6. Place a device containing an NPN bipolar transistor in the appropriate test fixture socket (the device should have characteristics similar to a 2N3904 or 2N5089, which are used for other examples in this section). Install the correct jumpers (including substrate bias connections), then close the test fixture lid.
7. RUN the program in the usual fashion. Enter the desired value of substrate bias when prompted to do so.
8. The computer will then step through  $I_B$  values between  $10\mu A$  and  $50\mu A$  using  $10\mu A$  steps. At each step,  $V_{CE}$  will be stepped between 0V and 10V at 0.1V increments. At each increment,  $I_C$  will be measured. Once data are collected, a plot of  $I_C$  vs.  $V_{CE}$  for each  $I_B$  value will be displayed.
9. To return to BASIC from the graph, press CONT.

### 5.5.8 Typical Program 16 Results

Figure 5-13 shows a typical plot generated by example Program 16.

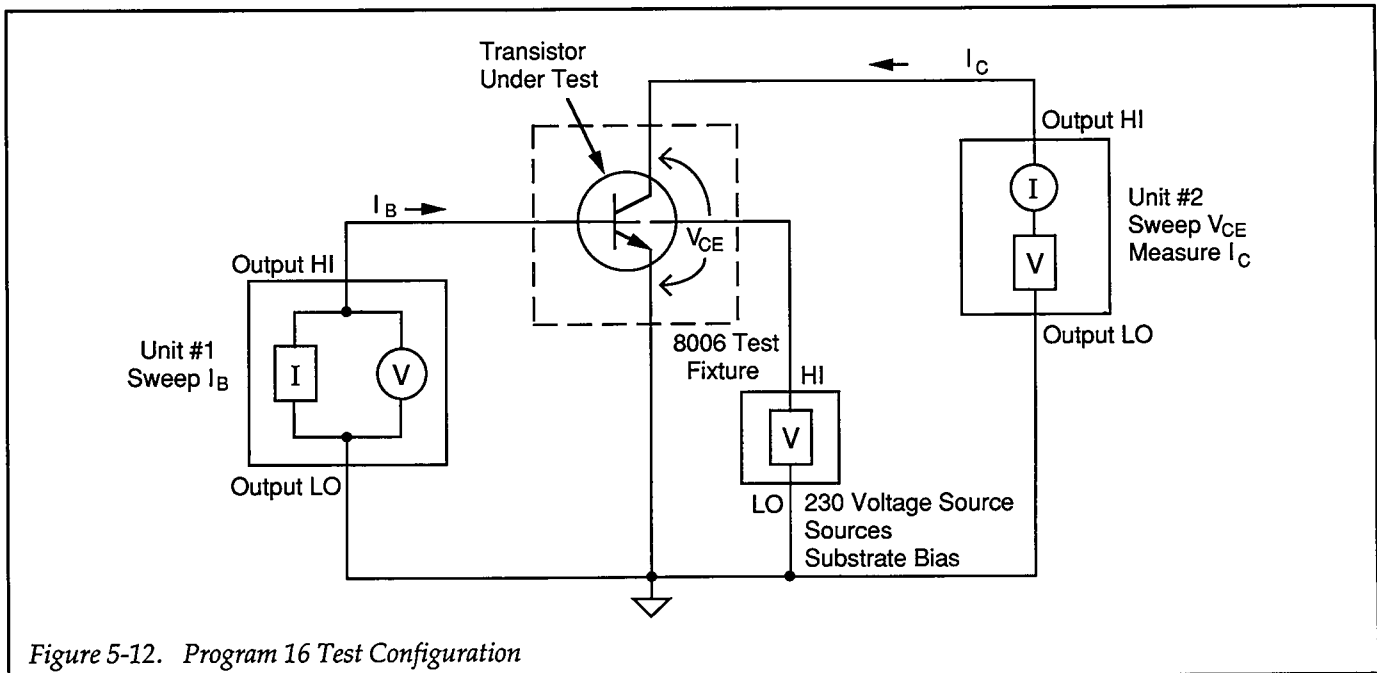


Figure 5-12. Program 16 Test Configuration

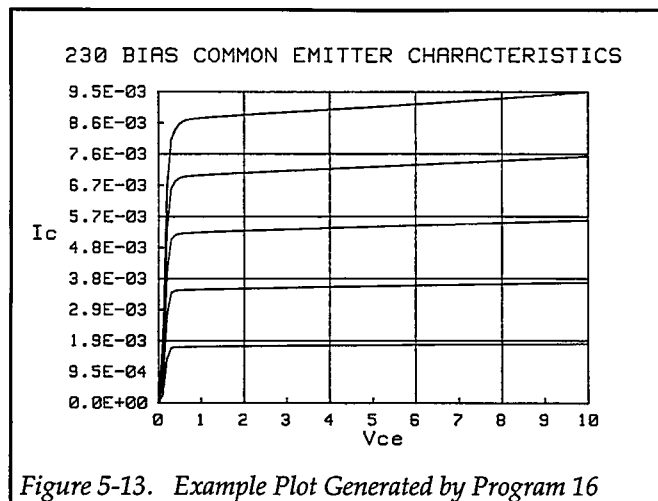


Figure 5-13. Example Plot Generated by Program 16

### 5.5.9 Program 16 Description

For the description below, refer to the flowchart in Figure 5-14 as well as the Program 16 listing below.

Initially, the reading array is defined for five sweeps with 101 points each (lines 30 and 40). After all three instruments are returned to default conditions (line 50), Unit #1, which sweeps  $I_B$ , is configured as follows (lines 80-170):

- Source I, sweep mode
- 1V compliance, 1.1V range
- Local sense
- Get trigger, one trigger per source cycle, output trigger at end of delay
- Start  $I_B$  current: 10 $\mu$ A
- Stop  $I_B$  current: 50 $\mu$ A
- Step  $I_B$  current: 10 $\mu$ A
- Delay: 100msec
- Staircase sweep

Next, Unit #2, which sweeps  $V_{CE}$  and measures  $I_C$ , is set up to operate in the following manner (lines 190-310):

- Source V, sweep mode
- Local sensing
- 100mA compliance, autorange measure
- Source and measure data format, no prefix, sweep data
- SRQ on sweep done
- External trigger, continuous
- Line cycle integration

- Suppress enabled
- Start  $V_{CE}$  voltage: 0V
- Stop  $V_{CE}$  voltage: 10V
- Step  $V_{CE}$  voltage: 0.1V
- Delay: 100msec
- Staircase sweep

Finally, the voltage source, which provides substrate bias, is programmed with the user-input voltage value (lines 320-350).

After the operator signal to begin, (lines 360 and 370), both Source Measure Units are armed and placed into operate (lines 380 and 390). The voltage source is placed into operate (line 400), and the program enters the main program loop to perform five  $I_C$  vs.  $V_{CE}$  sweeps, one for each of five  $I_B$  values (line 410).

Unit #1 is GET triggered to initiate each sweep (line 430), at which point it sets  $I_B$  to the present value in its sweep list. At the end of the programmed delay period, Unit #1 triggers Unit #2 to begin its sweep via the external trigger jacks. Unit #2 then cycles through its sweep list, setting  $V_{CE}$  to the required values, and measuring  $I_C$  at each step along the way.

At the same time, the program waits in a loop for Unit #2 to finish its sweep (lines 440 and 450), as indicated by an SRQ. When Unit #2 finishes each sweep, it generates the SRQ, and the program falls through the loop. The sweep data are then transmitted to the computer (lines 470-490), with  $V_{CE}$  values placed into array elements (I,J,1), and  $I_C$  values stored in array elements (I,J,2). The program then loops back for the next sweep until all five sweeps have been performed (line 500).

Next, both units and the voltage source are placed in standby (lines 510-530), and, after operator signal to continue (lines 540-560), the maximum and minimum  $I_C$  values are determined (lines 570-640). Finally, the data are plotted (lines 660-1000), with  $I_C$  along the Y axis, and  $V_{CE}$  along the X axis.

### 5.5.10 Modifying Program 16

For different sweeps, the  $I_{start}$ ,  $I_{stop}$ ,  $I_{step}$ ,  $V_{start}$ ,  $V_{stop}$ , and  $V_{step}$  values can be changed as required. For different sweep lengths, array size and loop counter values must be adjusted accordingly.

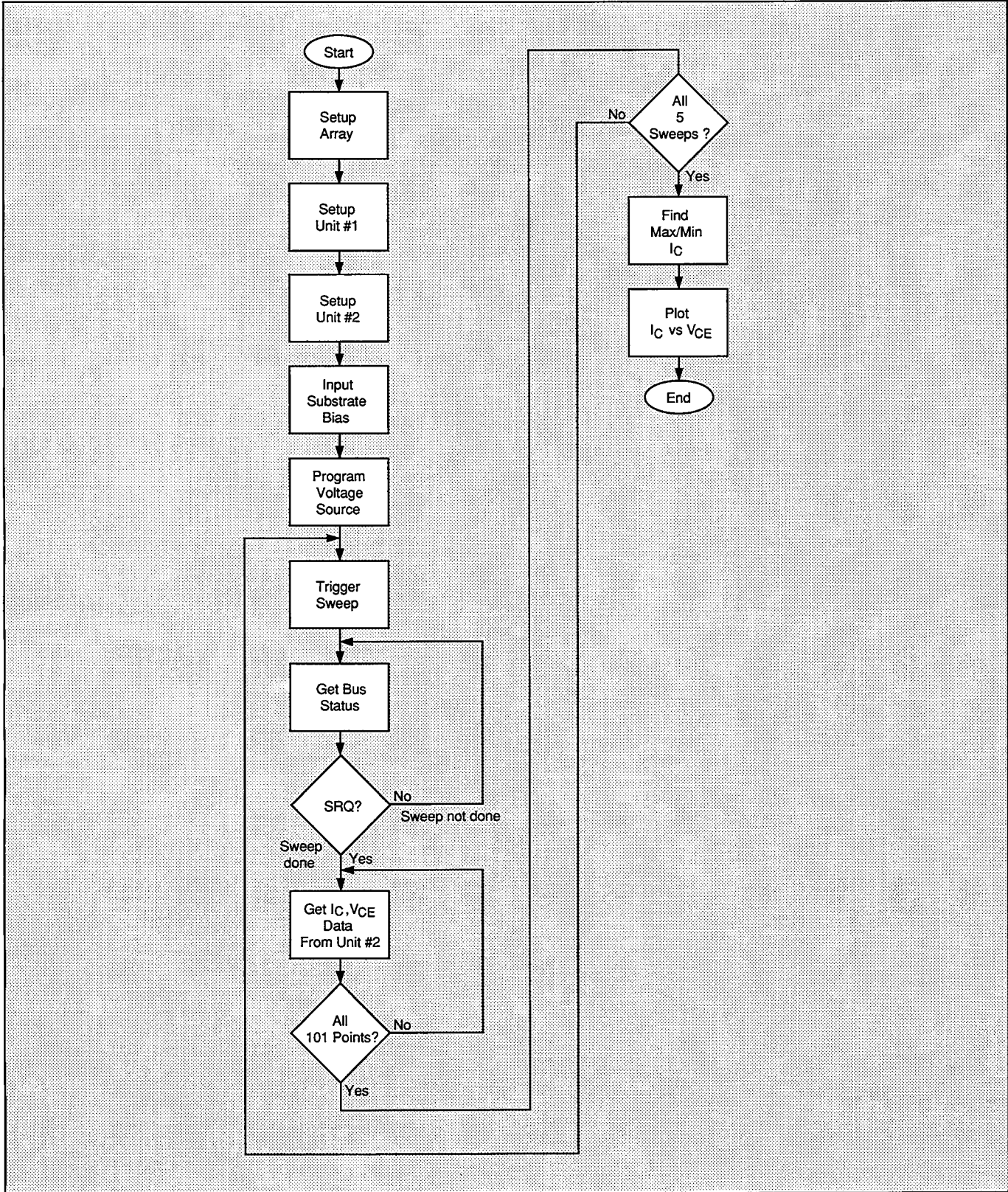


Figure 5-14. Program 16 Flowchart

```
10  REM COMMON EMITTER CHARACTERISTIC TEST PROGRAM REV. 1.3 (Program 16)
20  REM INCLUDES SUBSTRATE BIAS PROGRAMMING FOR 230 VOLTAGE SOURCE
30  OPTION BASE 1                ! First array subscript is 1
40  DIM Reading(5,101,2)         ! Dimension reading array (5 swps,101pts)
50  CLEAR 7                      ! Clear instruments
60  OUTPUT KBD;CHR$(255);CHR$(75); ! Clear screen
70  REM ***** Unit 1 setup (sweeps Ib) *****
80  REMOTE 716                   ! Put Unit 1 in remote
90  OUTPUT 716;"F1,1X"          ! Source I, sweep mode
100 OUTPUT 716;"L1,1X"         ! 1V compliance, 1.1V range
110 OUTPUT 716;"00X"           ! Local sense
120 OUTPUT 716;"T1,1,2,0X"     ! GET trigger cycle,out trig end of delay
125 OUTPUT 716;"B0,0,0X"       ! Program 0 bias value
130 Istart=1.0E-5              ! Define 10uA start Ib current
140 Istop=5.0E-5               ! Define 50uA stop Ib current
150 Istep=1.0E-5               ! Define 10uA step Ib current
160 Dly=100                    ! Define 100msec Unit delay
170 OUTPUT 716;"Q1,";Istart;",";Istop;",";Istep;",";0,";Dly;"X" ! Program sweep
180 REM ***** Unit 2 setup (sweeps Vce, measures Ic) *****
190 REMOTE 717                   ! Put Unit 2 in remote
200 OUTPUT 717;"F0,1X"         ! Source V, sweep mode
210 OUTPUT 717;"00X"           ! Local sensing
220 OUTPUT 717;"L100E-3,0X"    ! 100mA compliance,autorange measure
230 OUTPUT 717;"G5,2,1X"       ! Source,measure,no prefix,sweep data
240 OUTPUT 717;"M2,X"          ! SRQ on sweep done
250 OUTPUT 717;"T3,0,0,0X"     ! Trigger on external
260 OUTPUT 717;"S2X"           ! Line cycle integration
265 OUTPUT 717;"B0,0,0X"       ! Program 0 bias value
270 OUTPUT 717;"Z1X"           ! Enable suppress
280 Vstart=0                    ! Define 0V start Vce
290 Vstop=10                   ! Define 10V stop Vce
300 Vstep=.1                   ! Define 0.1V step Vce
310 OUTPUT 717;"Q1,";Vstart;",";Vstop;",";Vstep;",";0,";Dly;"X" ! Program sweep
320 REM ***** 230 voltage source setup (provides substrate bias) *****
330 REMOTE 713                   ! Put 230 in remote
340 INPUT "Enter substrate bias",Vsub! Input desired substrate bias voltage
350 OUTPUT 713;"V";Vsub;"X"    ! Program 230 with substrate bias
360 PRINT "Close lid, press CONT to begin test"
370 PAUSE
380 OUTPUT 716;"R1N1X"         ! Arm Unit 1 trigger,turn on output
390 OUTPUT 717;"R1N1X"         ! Arm Unit 2 trigger, turn on output
400 OUTPUT 713;"F1X"          ! Turn on 230 output
410 FOR I=1 TO 5                ! Loop for five Ib curves
420 PRINT "Generating sweep";I
430 TRIGGER 716                ! Trigger Unit to start sweep
440 STATUS 7,7;Stat            ! Get IEEE-488 bus status
450 IF NOT BIT(Stat,10) THEN 440 ! Wait for Unit 2 SRQ on sweep done
460 Stat=SPOLL(717)            ! Serial poll Unit 2 to clear SRQ
470 FOR J=1 TO 101              ! Loop for all 101 readings
480 ENTER 717;Reading(I,J,1),Reading(I,J,2)! Get reading data from Unit 2
490 NEXT J                      ! Loop back for next reading
500 NEXT I                      ! Loop back for next Ib value
510 OUTPUT 716;"N0X"          ! Turn off Unit 1 output
```

**SECTION 5**  
*Using Substrate Bias*

```
520  OUTPUT 717;"N0X"           ! Turn off Unit 2 output
530  OUTPUT 713;"F0X"         ! Turn off 230 output
540  PRINT "Press CONT to display graph"
550  PRINT "Press CONT while in graph to return to BASIC"
560  PAUSE
570  Ymin=MAXREAL             ! Find minimum and maximum Ic value
580  Ymax=-MAXREAL
590  FOR I=1 TO 5
600  FOR J=1 TO 101
610  IF Reading(I,J,2)<Ymin THEN Ymin=Reading(I,J,2)
620  IF Reading(I,J,2)>Ymax THEN Ymax=Reading(I,J,2)
630  NEXT J
640  NEXT I
650  OUTPUT KBD;CHR$(255);CHR$(75); ! Clear screen
660  GINIT                   ! Initialize graphics
670  PLOTTER IS CRT,"INTERNAL" ! Define plot to CRT
680  GRAPHICS ON             ! Turn on graphics
690  MOVE 10,90              ! Title graph
700  LABEL "230 BIAS COMMON EMITTER CHARACTERISTICS"
710  MOVE 70,10              ! Label X axis
720  LABEL "Vce"
730  MOVE 0,53               ! Label Y axis
740  LABEL "Ic"
750  VIEWPORT 30,120,20,85  ! Define soft clip limits
760  WINDOW Vstart,Vstop,Ymin,Ymax ! Scale graph
770  Y1=(Ymax-Ymin)/10      ! Compute Y axis increment
780  X1=(Vstop-Vstart)/10  ! Compute X axis increment
790  GRID 2*X1,2*Y1,Vstart,Ymin ! Draw grid
800  AXES X1,Y1,Vstart,Ymin ! Add tick marks
810  FOR I=1 TO 5           ! Loop for all five curves
820  FOR J=1 TO 101        ! Loop for all 101 points per curve
830  PLOT Reading(I,J,1),Reading(I,J,2) ! Plot point
840  NEXT J                ! Plot next point
850  PENUP
860  NEXT I                 ! Plot next curve
870  CSIZE 4                ! Define character size
880  LORG 6                 ! Center characters
890  CLIP OFF              ! Turn off soft clipping
900  FOR I=Vstart TO Vstop+.01*X1 STEP X1 ! Number X axis
910  MOVE I,Ymin-(Y1/4)
920  LABEL USING "#,K";I
930  NEXT I
940  FOR I=Ymin TO Ymax+.01*Y1 STEP Y1 ! Number Y axis
950  MOVE Vstart-(1.3*X1),I+(.3*Y1)
960  LABEL USING "#,MD.DE";I
970  NEXT I
980  PAUSE
990  OUTPUT KBD;CHR$(255);CHR$(75); ! Clear alpha screen
1000 GRAPHICS OFF          ! Clear graphics screen
1010 END
```

# SECTION 6

## Using Source Measure Units with Other Instruments

### 6.1 INTRODUCTION

An all-Source Measure Unit test system is preferable for many applications, because of the versatility of the instruments. In some cases however, it may be desirable to replace one of the Source Measure Units with a current source, voltage source, or electrometer, either because those instruments are readily available, or because they have capabilities not available in the Source Measure Unit. In the following paragraphs three such possible applications are discussed: (1) using a Model 220 Current Source in conjunction with an Source Measure Unit to test common-emitter characteristics, (2) using a Model 617 Electrometer along with a Source Measure Unit to perform common-source tests, and (3) using a Source Measure Unit with a Model 228A Voltage/Current Source to test power transistor current gain.

### 6.2 USING A SOURCE MEASURE UNIT WITH A CURRENT SOURCE


A current source can be substituted for a Source Measure Unit when testing for common-emitter characteristics, as

shown in Figure 6-1. Here, a Model 220 Current Source is used to supply the base current,  $I_B$ , with the  $I_B$  sweep performed under program control, while the Source Measure Unit sweeps  $V_{CE}$  and measures  $I_C$  just as before.

#### 6.2.1 Test Connections

Figure 6-2 shows the test connections for the common-emitter tests using the current source and Source Measure Unit. Model 7078-TRX triax cables are used to make connections between the instruments and test fixture. Note, however, that a Model 6172 2-slot male to 3-lug female triax adapter will be necessary to connect the 3-slot triax cable to the Model 220, which is equipped with a 2-lug triax input connector.

#### WARNING

Connect interlock circuits before use. Connect the fixture  screw to safety earth ground using #18 AWG minimum wire before use. Turn off all power before connecting or disconnecting wires or cables.

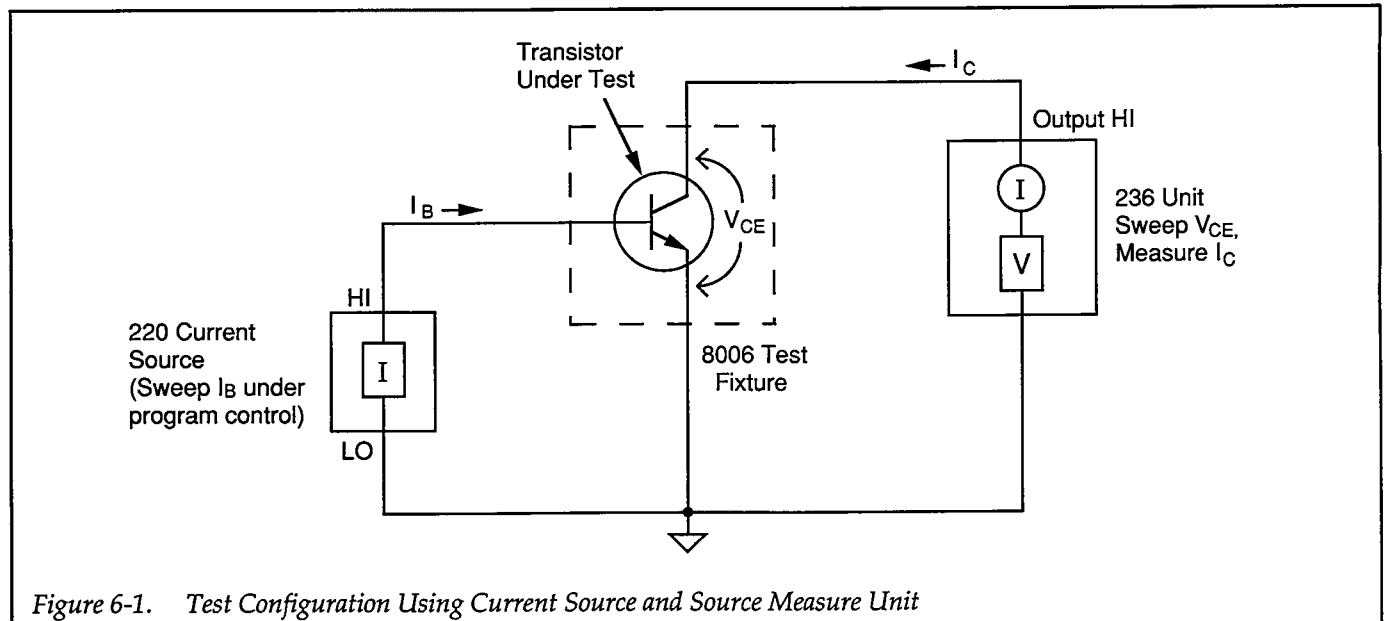
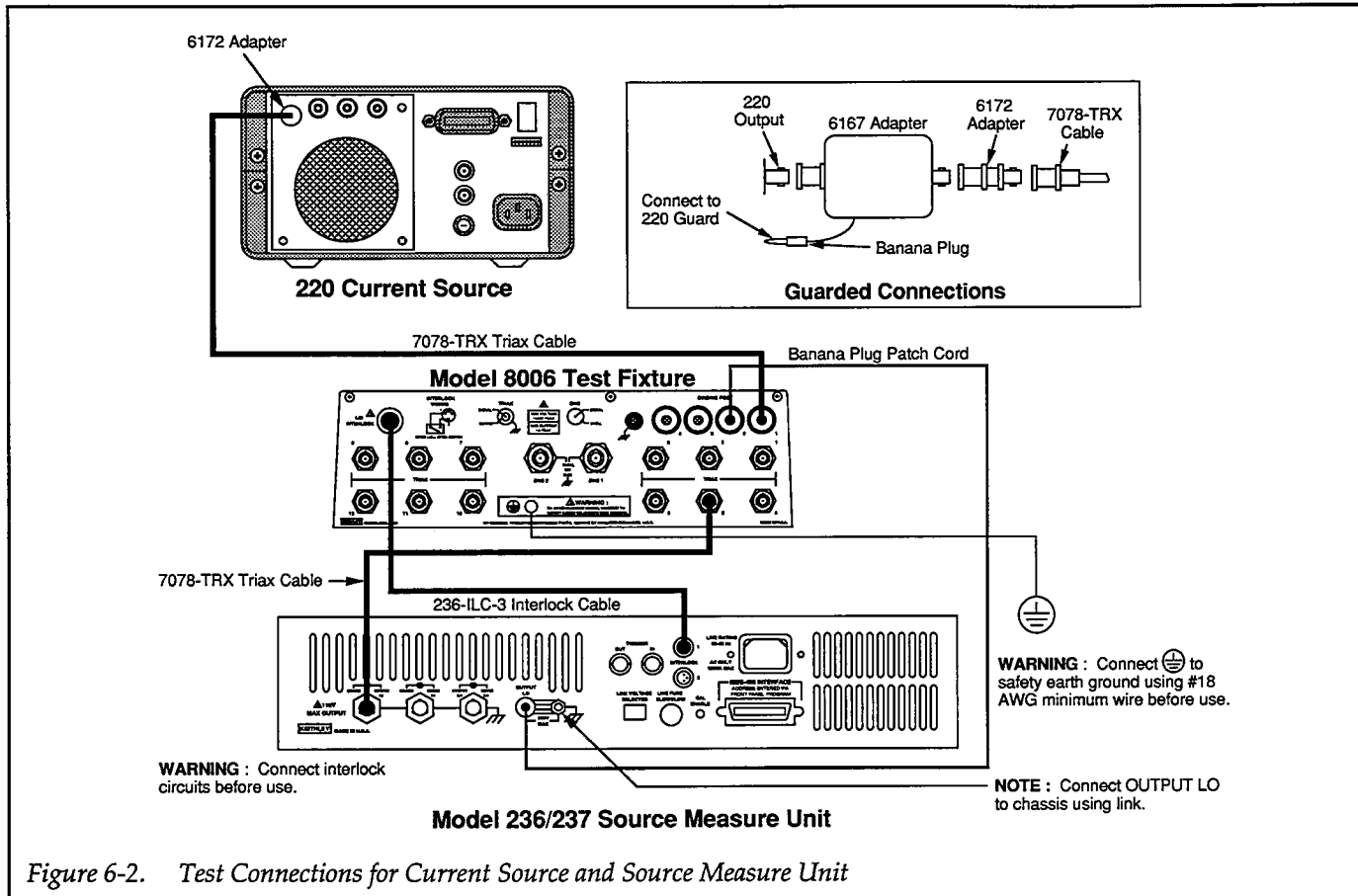


Figure 6-1. Test Configuration Using Current Source and Source Measure Unit



## 6.2.2 Measurement Considerations

As shown in Figure 6-2, the unguarded configuration for current source connections is used. For very critical measurements, use a Model 6167 Guarded Adapter. The Model 6167 connects directly to the OUTPUT jack on the Model 220 Current Source, and it includes a switch for selection of guarded and unguarded operation. See the inset of Figure 6-2 for guarded connections.

## 6.2.3 Program 17: Common-emitter Characteristics Using Current Source and Source Measure Unit

Program 17 below can be used to run common-emitter characteristic tests on small-signal NPN transistors using a current source and Source Measure Unit. In order to run the program, follow the steps below.

1. With the power off, connect both the Model 220 Current Source and the Model 236 Source Measure Unit to the IEEE-488 interface of the computer.

2. Connect the test fixture to the unit and current source using appropriate triax cables (see Figure 6-2).
3. Turn on both instruments, and allow them to warm up for two hours for rated accuracy. Make sure the primary address of the Model 236 is set to 16 and that the primary address of the Model 220 is set to 12.
4. Turn on the computer, and boot up BASIC.
5. Enter the lines below into the computer.
6. Install a small-signal NPN silicon transistor such as a 2N3904 or 2N5089 in the appropriate transistor socket of the test fixture. Be certain that the jumpers are properly installed, then close the test fixture lid.
7. RUN the program in the usual manner. The computer will program both instruments and run the common-emitter characteristic test on the device. The base current will be stepped under program control between  $10\mu\text{A}$  and  $50\mu\text{A}$  in  $10\mu\text{A}$  increments, and the value of  $V_{\text{CE}}$  will be swept between 0V and 10V in 0.1V increments. A fixed reading delay for the Source Measure Unit of 100msec is also incorporated into the program. A fixed delay of 100msec after each programmed  $I_{\text{B}}$  value is also included.
8. Once the sweeps have been completed, you will be prompted to press CONT to generate a plot of the



data. A simple  $I_C$  vs.  $V_{CE}$  plot will then be displayed on the computer CRT, with separate curves for each  $I_B$  value.

9. To return to BASIC from the graph, press CONT.

### 6.2.4 Typical Program 17 Results

Figure 6-3 shows typical results generated by example Program 17. A 2N3904 NPN transistor was used to generate these test results.

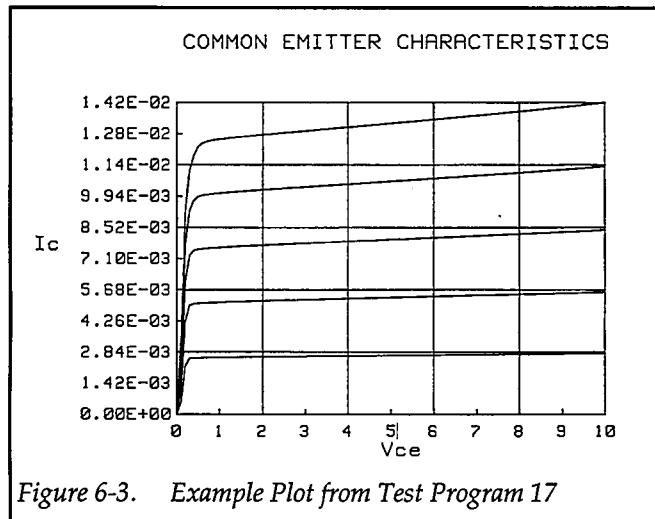


Figure 6-3. Example Plot from Test Program 17

### 6.2.5 Program 17 Description

For the following program description, refer to the program listing below and the flowchart shown in Figure 6-4.

Initially, the reading array is dimensioned (line 40) as a three-element array that will hold five sweeps of 101 points each, with two readings for each point. Next, both instruments are returned to default conditions by a DCL command (line 50), and the Model 236, which sweeps  $V_{CE}$  and measures  $I_C$ , is programmed as follows (lines 80-210):

- Source V, sweep mode
- Local sensing
- 100mA compliance, autorange measure
- Source measure data format with no prefix, sweep data
- SRQ on sweep done
- Trigger on GET, one sweep per trigger
- Line cycle integration

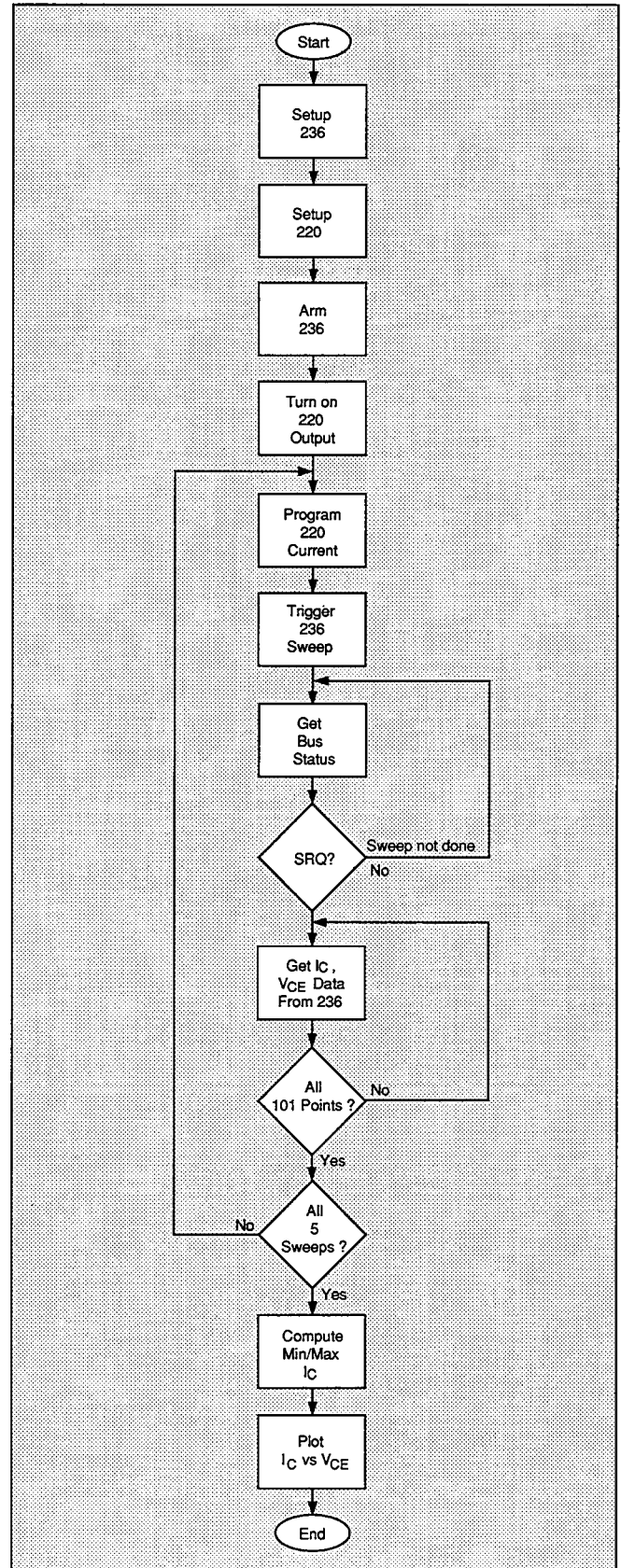


Figure 6-4. Program 17 Flowchart

## SECTION 6

### Using Source Measure Units with Other Instruments

---

- Suppress enabled
- Start  $V_{CE}$  voltage: 0V
- Stop  $V_{CE}$  voltage: 10V
- Step  $V_{CE}$  voltage: 0.1V
- Delay: 100msec
- Staircase sweep (limits determined by start, stop, and step voltage)

Following Model 236 setup, the Model 220 current source is programmed with a 10V compliance value (line 230), and the start, stop, and step current values are defined as 10 $\mu$ A, 50 $\mu$ A, and 10 $\mu$ A respectively (lines 240-260).

Once the two instruments are ready, the Model 236 trigger is armed and the units are placed into operate (lines 290 and 300). After the array index value is declared (line 310), the main programming loop is then entered to generate the five  $I_B$  curve sweeps (line 320). At the beginning of the main loop, the base current is programmed (line 340), and, after a 100msec delay, the unit is triggered to begin its sweep (line 360). In order to synchronize the program with each sweep, the program enters a loop to wait for the unit to generate an SRQ (lines 370 and 380) when it has finished a sweep. Once each sweep has finished, the unit is serial polled to clear the SRQ line (line 390), and the data are read into the reading array (line

400). Array element (K,J,1) stores source ( $V_{CE}$ ) information, and array element (K,J,2) stores measured data ( $I_C$ ) information. Once all the data pertaining to the present sweep are read, the program increments the array index (line 430), and loops back to program the current source for the next sweep at the subsequent  $I_B$  value (line 440).

In order to properly scale the plot, the maximum and minimum  $I_C$  values must be determined. This operation is performed in lines 500-570 of the program. Next, the data are plotted (lines 590-930). Note that the X axis of the graph is scaled by the Vstart and Vstop parameters (line 690), while the the Y axis is scaled by the maximum and minimum  $I_C$  values.

### 6.2.6 Modifying Program 17

As written, the sweep limits and increments are set to fixed values. For  $I_B$ , the start, stop, and step values are 10 $\mu$ A, 50 $\mu$ A, and 10 $\mu$ A respectively, and the start, stop, and step  $V_{CE}$  values are 0V, 10V, and 0.1V respectively. Again, you can modify the program as required, or include INPUT statements to allow operator input of these parameters. For sweep lengths other than 101 points, additional modifications such as array dimension and loop counter must also be made.

```

10  REM COMMON EMITTER CHARACTERISTIC TEST PROGRAM REV. 1.3 (Program 17)
20  REM USING 220 CURRENT SOURCE TO SWEEP BASE CURRENT
30  OPTION BASE 1                ! First array subscript is 1
40  DIM Reading(5,101,2)        ! Dimension reading array (5 swps,101 pts)
50  CLEAR 7                      ! Clear Unit and current source
60  OUTPUT KBD;CHR$(255);CHR$(75); ! Clear screen
70  REM ***** 236 setup (sweeps Vce, measures Ic) *****
80  REMOTE 716                    ! Put 236 in remote
90  OUTPUT 716;"F0,1X"           ! Source V, sweep mode
100 OUTPUT 716;"00X"             ! Local sensing
110 OUTPUT 716;"L100E-3,0X"     ! 100mA compliance,autorange measure
120 OUTPUT 716;"G5,2,1X"       ! Source,measure,no prefix,sweep data
130 OUTPUT 716;"M2,X"          ! SRQ on sweep done
140 OUTPUT 716;"T1,0,0,0X"     ! Trigger on GET,continuous
150 OUTPUT 716;"S2X"           ! Line cycle integration
155 OUTPUT 716;"B0,0,0X"       ! Program 0 bias value
160 OUTPUT 716;"Z1X"           ! Enable suppress
170 Vstart=0                    ! Define 0V start Vce
180 Vstop=10                    ! Define 10V stop Vce
190 Vstep=.1                    ! Define 0.1V step Vce
200 Dly=100                     ! 100msec Unit delay
210 OUTPUT 716;"Q1,";Vstart;",";Vstop;",";Vstep;","0,";Dly;"X" ! Program sweep
220 REM ***** 220 setup (sweeps Ib under program control) *****
230 OUTPUT 712;"V10X"           ! Program 10V compliance
240 Istart=1.0E-5              ! Define 10uA start current
250 Istop=5.0E-5              ! Define 50uA stop current
260 Istep=1.0E-5              ! Define 10uA step current
270 PRINT "Close lid, press CONT to begin test"
280 PAUSE
290 OUTPUT 716;"R1N1X"         ! Arm 236 trigger,turn on output
300 OUTPUT 712;"F1X"           ! Turn on 220 output
310 K=1                          ! Define array index
320 FOR I=Istart TO Istop STEP Istep ! Loop for all Ib curves
330 PRINT "Generating sweep with";I;"current"
340 OUTPUT 712;"I";I;"X"       ! Program 220 current
350 WAIT .1                     ! Wait 100msec for settling
360 TRIGGER 716                 ! Trigger 236 to start sweep
370 STATUS 7,7;Stat            ! Get IEEE-488 bus status
380 IF NOT BIT(Stat,10) THEN 370 ! Wait for 236 SRQ on sweep done
390 Stat=SPOLL(716)            ! Serial poll 236 to clear SRQ
400 FOR J=1 TO 101              ! Loop for all 101 readings
410 ENTER 716;Reading(K,J,1),Reading(K,J,2)! Get Vce and Ic data from 236
420 NEXT J                      ! Loop back for next reading
430 K=K+1                      ! Increment array index
440 NEXT I                      ! Loop back for next Ib value
450 OUTPUT 716;"N0X"           ! Turn off 236 output
460 OUTPUT 712;"F0X"           ! Turn off 220 output
470 PRINT "Press CONT to display graph"
480 PRINT "Press CONT while in graph to return to BASIC"
490 PAUSE
500 Ymin=MAXREAL                ! Find minimum and maximum Ic value

```

**SECTION 6***Using Source Measure Units with Other Instruments*


```
510  Ymax=-MAXREAL
520  FOR I=1 TO 5
530  FOR J=1 TO 101
540  IF Reading(I,J,2)<Ymin THEN Ymin=Reading(I,J,2)
550  IF Reading(I,J,2)>Ymax THEN Ymax=Reading(I,J,2)
560  NEXT J
570  NEXT I
580  OUTPUT KBD;CHR$(255);CHR$(75); ! Clear screen
590  GINIT ! Initialize graphics
600  PLOTTER IS CRT,"INTERNAL" ! Define plot to CRT
610  GRAPHICS ON ! Turn on graphics
620  MOVE 30,95 ! Title graph
630  LABEL "COMMON EMITTER CHARACTERISTICS"
640  MOVE 70,10 ! Label X axis
650  LABEL "Vce"
660  MOVE 0,53 ! Label Y axis
670  LABEL "Ic"
680  VIEWPORT 30,120,20,85 ! Define soft clip limits
690  WINDOW Vstart,Vstop,Ymin,Ymax ! Scale graph
700  Y1=(Ymax-Ymin)/10 ! Compute Y axis increment
710  X1=(Vstop-Vstart)/10
720  GRID 2*X1,2*Y1,Vstart,Ymin ! Draw grid
730  AXES X1,Y1,Vstart,Ymin ! Add some tick marks
740  FOR I=1 TO 5 ! Loop for all five curves
750  FOR J=1 TO 101 ! Loop for all 101 points per curve
760  PLOT Reading(I,J,1),Reading(I,J,2) ! Plot point
770  NEXT J ! Plot next point
780  PENUP
790  NEXT I ! Plot next curve
800  CSIZE 4 ! Define character size
810  LORG 6 ! Center character
820  CLIP OFF ! Turn off soft clipping
830  FOR I=Vstart TO Vstop+.01*Vstep STEP X1 ! Number X axis
840  MOVE I,Ymin-(Y1/4)
850  LABEL USING "#,K";I
860  NEXT I
870  FOR I=Ymin TO Ymax+.01*Y1 STEP Y1 ! Number Y axis
880  MOVE Vstart-(1.3*X1),I+(.3*Y1)
890  LABEL USING "#,MD.DDE";I
900  NEXT I
910  PAUSE
920  OUTPUT KBD;CHR$(255);CHR$(75); ! Turn off alpha display
930  GRAPHICS OFF ! Turn off graphics display
940  END
```

### 6.3 USING AN ELECTROMETER WITH A SOURCE MEASURE UNIT

A Model 617 Electrometer/Source can be used in place of a Source Measure Unit for many tests including common-source tests on FETs. The voltage source section can be used to supply the necessary  $V_{DS}$  voltages, while the electrometer section can be used to measure the source current.

The following paragraphs discuss the overall test configuration, test connections, and also list a sample program for making such tests with these instruments.

#### WARNING

There are no provisions for using a safety interlock with the Model 617 Electrometer/Source. To avoid a possible shock hazard, always leave the test fixture lid closed when hazardous voltages are present. Also connect the test fixture  screw to safety earth ground using #18 AWG minimum wire before use. Turn off all power before connecting or disconnecting wires or cables.

#### 6.3.1 Test Configuration

Figure 6-5 shows the test configuration for the common-source tests using one Source Measure Unit and the electrometer/source. The unit sweeps  $V_{GS}$ , while the voltage

source of the Model 617 sweeps  $V_{DS}$ , and the electrometer section measures  $I_D$ . For this programming example, a small-signal, N-channel JFET such as a 2N4392 is recommended.

#### 6.3.2 Test Connections

Figure 6-6 shows the test connections for the common-source tests using the electrometer/source and Source Measure Unit. Model 7078-TRX triax cables are used to make connections between the instruments and test fixture. Again, a Model 6172 2-slot male to 3-lug female triax adapter will be necessary to connect the 3-slot triax cable to the Model 617, which is equipped with a 2-lug triax input connector. Finally, connect the voltage source LO jack to one of the binding posts on the test fixture, and connect voltage source HI to the COM jack on the rear panel of the Model 617.

#### 6.3.3 Measurement Considerations

The maximum output current of the voltage source in the Model 617 is 2mA. Thus, tests should obviously be limited to 2mA or less. The Model 617 will not be damaged by attempting to source larger currents because it is current limited, but any test results will be affected by the current limitation. Note that there are no provisions in the test program for flagging over compliance. If an over-compliance condition occurs (as indicated on the front panel), it will be necessary to change the  $V_{GS}$  test parameters to reduce the test current.

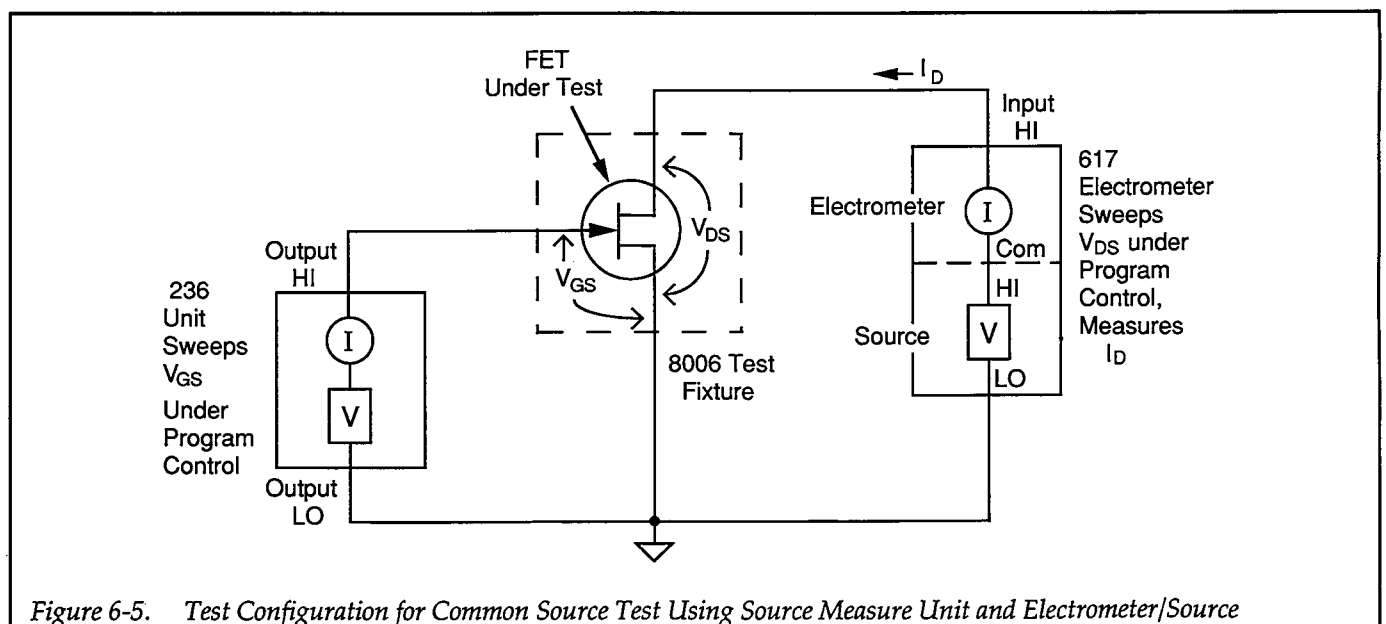


Figure 6-5. Test Configuration for Common Source Test Using Source Measure Unit and Electrometer/Source

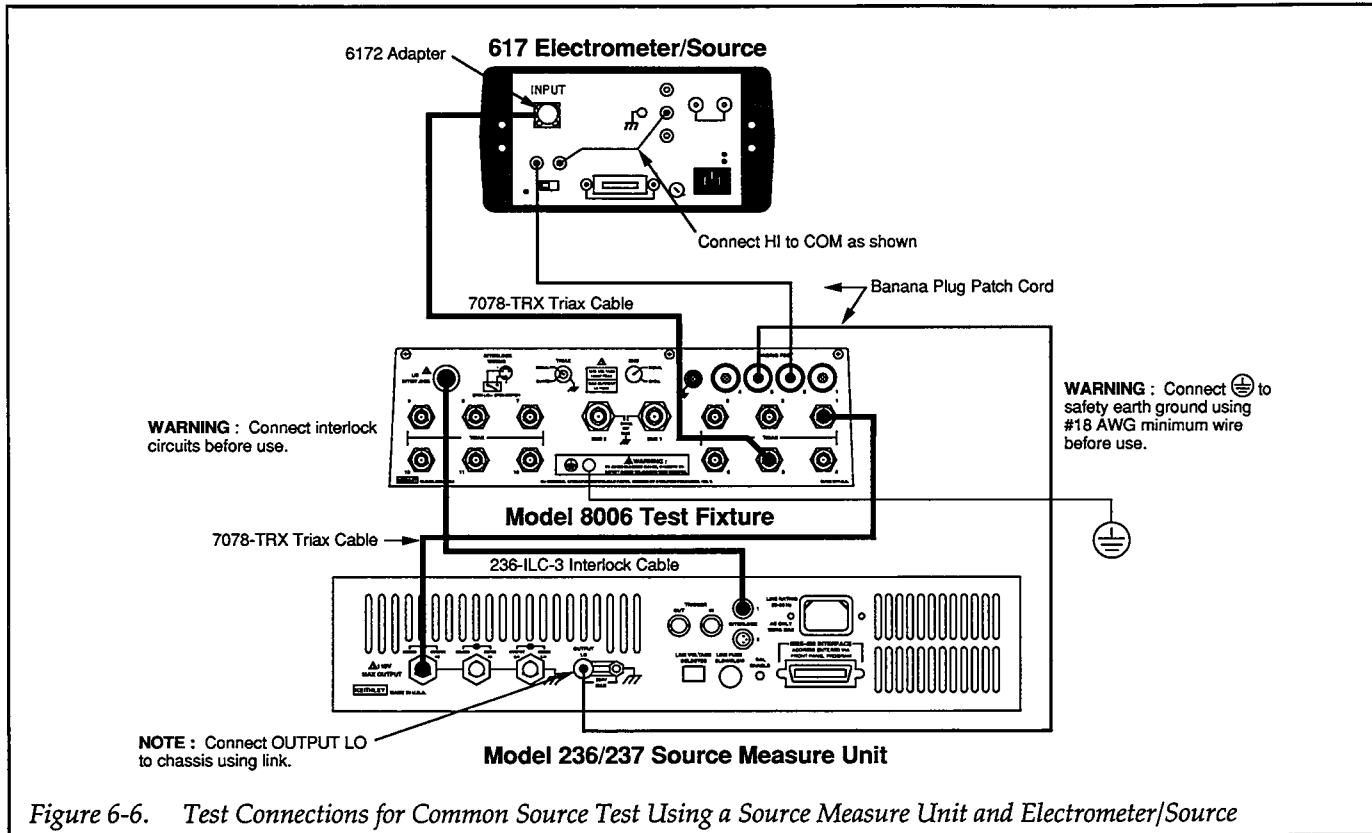


Figure 6-6. Test Connections for Common Source Test Using a Source Measure Unit and Electrometer/Source

### 6.3.4 Program 18: Common-source Characteristics Using Source Measure Unit and Electrometer/Source

Program 18 below outlines general programming techniques for measuring common-source characteristics using a Source Measure Unit to sweep  $V_{GS}$ , and an electrometer/source to sweep  $V_{DS}$  and measure  $I_D$ . Follow the steps outlined below to use this program.

1. With the power off, connect the Model 236 and the Model 617 to the IEEE-488 bus of the computer.
2. Connect the unit and electrometer to the test fixture using suitable triax cables (see Figure 6-6 for details on test connections).
3. Turn on both instruments, and allow them to warm up for at least two hours for rated accuracy. Verify that the primary address of the Source Measure Unit is set to 16; the primary address of the Model 617 Electrometer/Source should be set to 27.
4. Turn on the computer, then boot up BASIC.
5. Enter the lines from Program 18 below into the computer.

6. Place a small-signal N-channel JFET such as a 2N4392 in the appropriate transistor socket. Install the correct jumpers, then close the test fixture lid.
7. RUN the program in the usual fashion. The computer will step through  $V_{GS}$  values between  $-2V$  and  $-1.9V$  using  $0.025V$  steps. At each step,  $V_{DS}$  will be programmed between  $0V$  and  $10V$  at  $1V$  increments. At each increment,  $I_D$  will be measured. Once data are collected, a plot of  $I_D$  vs.  $V_{DS}$  for each  $V_{GS}$  value will be displayed.

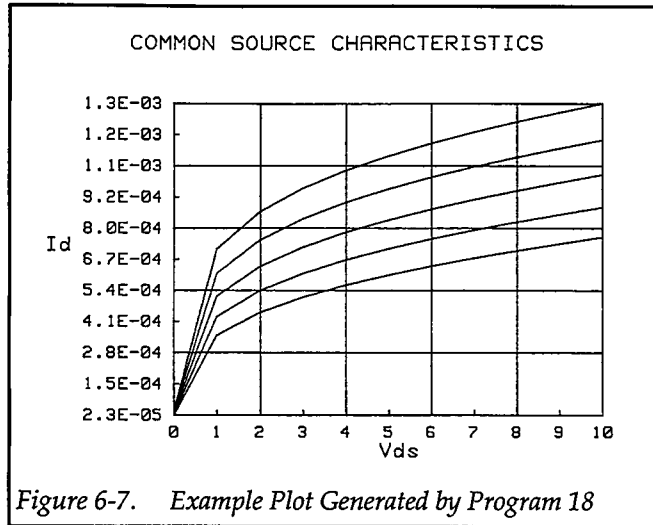
#### NOTE

It may be necessary to change the  $V_{gstart}$ ,  $V_{gstop}$ , and  $V_{gstep}$  parameters in the program to keep a Model 617 over-compliance condition from occurring ( $>2mA$ ).

8. To return to BASIC from the graph, press CONT.

### 6.3.5 Typical Program 18 Results

Figure 6-7 shows a typical plot generated by example Program 18. A 2N4392 N-channel JFET was used to generate these curves.



### 6.3.6 Program 18 Description

For the following description, refer to the Program 18 listing and the flowchart shown in Figure 6-8.

Initially, the array is set up for five sweeps of 11 data points each (lines 30 and 40), and both instruments are returned to default conditions (line 50). Next, the Model 236, which sweeps  $V_{GS}$ , is programmed as follows (lines 80-160):

- Source V, dc mode
- 1mA compliance, 1mA range
- Local sense
- GET trigger
- Delay: 100msec

In addition, the start, stop, and step  $V_{GS}$  voltages are defined as -2V, -1.9V, and 0.025V respectively (lines 130-150) for later programming as part of each  $V_{GS}$  program loop.

Following Model 236 setup, the Model 617, which sweeps  $V_{DS}$  and measures  $I_D$ , is configured as follows (lines 180-210):

- Amps function, 2mA range
- Zero correct on
- Data format without prefix

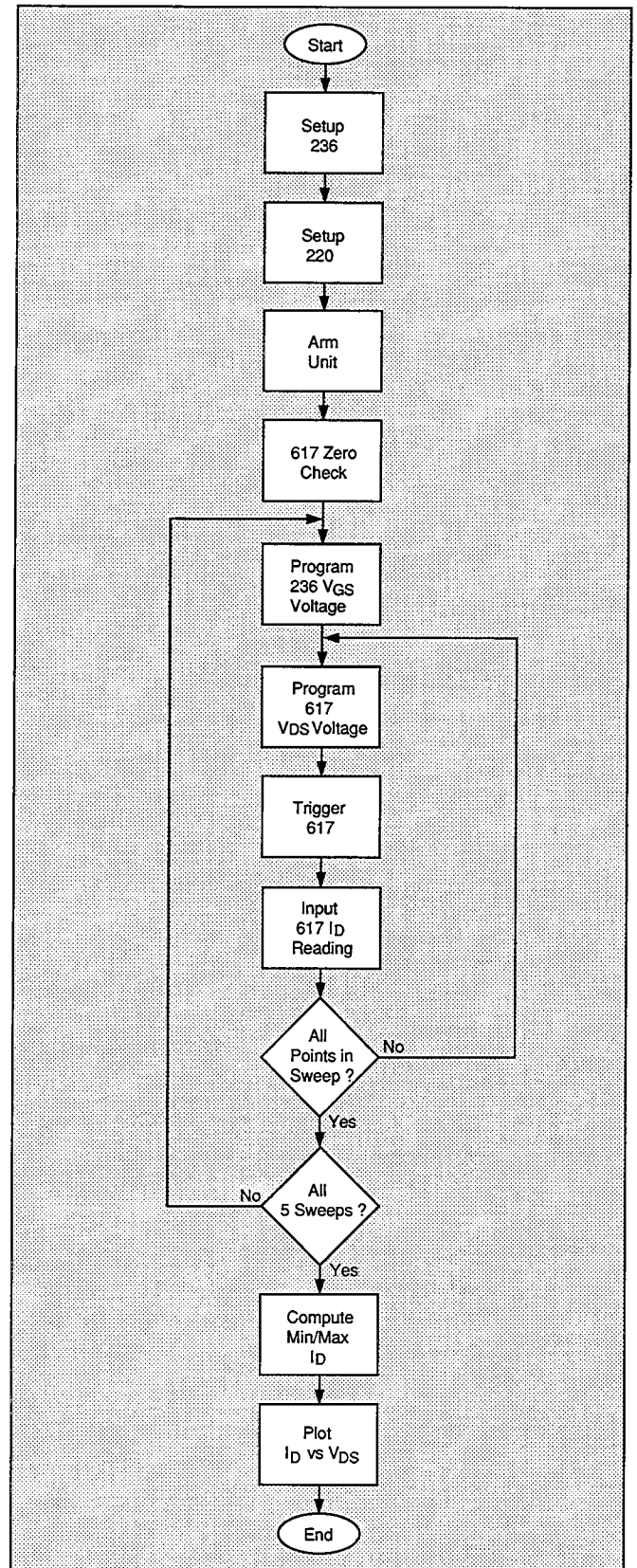


Figure 6-8. Program 18 Flowchart

## SECTION 6

### Using Source Measure Units with Other Instruments

---

Also, the start, stop, and step  $V_{DS}$  voltage values are defined as 0V, 10V, and 1V respectively (lines 220-240).

Following setup of both instruments, the operator is prompted to begin the test (lines 250 and 260), and the Model 236 is armed and placed into operate (line 270). Next, zero check on the Model 617 is turned off, and the unit is placed into operate (lines 280 and 290). The program then enters a loop to perform  $I_D$  vs.  $V_{DS}$  sweeps, one sweep for each value of  $V_{GS}$  (line 310).

At the start of each loop, the Model 236 is programmed with the present  $V_{GS}$  value (line 320), and the unit is triggered (line 340). The program then enters the second, nested loop (line 360) to sweep through all  $V_{DS}$  values. At the start of this loop, the Model 617 voltage source is programmed with the present  $V_{DS}$  value (line 370). After a two-second delay (line 380), the program then requests the current data point from the electrometer (line 390), and then takes the absolute value of the current reading. Note that  $V_{DS}$  data from the array index counter are placed into array elements (K,L,1), and measured  $I_D$  data are placed into array elements (K,L,2). After each data point has been input, the program loops back to perform the next point (line 430). Once all points in the current sweep have been completed, the program loops back to generate the next sweep (line 450). After all five sweeps

are completed, both instruments are placed into standby, and zero check on the Model 617 is enabled (lines 460 and 470).

Next, an array search is performed to determine the maximum and minimum measured values of  $I_D$  (lines 510-580). Finally, the data are plotted with  $I_D$  along the Y axis, and  $V_{DS}$  along the X axis (lines 600-940). Note that the graph is scaled according to the maximum and minimum  $V_{DS}$  values (X axis), and the maximum and minimum  $I_D$  values (Y axis).

### 6.3.7 Modifying Program 18

For other  $V_{GS}$  values, simply modify the  $V_{gstart}$ ,  $V_{gstop}$ , and  $V_{gstep}$  variables as required (or use INPUT statements). For values that result in more or less than five sweeps, additional modifications to array size and corresponding loop counters must also be made.

Similarly,  $V_{DS}$  can be swept over a different range by changing the  $V_{dstart}$ ,  $V_{dstop}$ , and  $V_{dstep}$  variables to the desired values (or, again add INPUT statements). The same general considerations regarding program modifications for array size and loop counter values also apply.



```

10  REM COMMON SOURCE CHARACTERISTIC TEST PROGRAM REV. 1.3 (Program 18)
20  REM USES 617 ELECTROMETER TO SOURCE DRAIN VOLTAGE, MEASURE DRAIN CURRENT
30  OPTION BASE 1                                ! First array subscript is 1
40  DIM Reading(5,11,2)                          ! Dimension reading array (5 swps,11 pts)
50  CLEAR 7                                       ! Clear Unit and current source
60  OUTPUT KBD;CHR$(255);CHR$(75);              ! Clear screen
70  REM ***** 236 setup (sweeps Vgs) *****
80  REMOTE 716                                    ! Put 236 in remote
90  OUTPUT 716;"F0,0X"                            ! Source V, DC mode
100 OUTPUT 716;"L1E-3,7X"                        ! 1mA compliance, 1mA range
110 OUTPUT 716;"00X"                             ! Local sense
120 OUTPUT 716;"T1,0,0,0X"                       ! GET trigger
125 OUTPUT 716;"B0,0,0X"                         ! Program 0 bias value
130 Vgstart=-2.0                                  ! Define -2V start Vgs voltage
140 Vgstop=-1.9                                  ! Define -1V stop Vgs voltage
150 Vgstep=.025                                  ! Define 0.025V step Vgs voltage
160 Dly=100                                       ! Define 100msec Unit delay
170 REM ***** 617 setup (sweeps Vds, measures Id: 2mA maximum!) *****
180 REMOTE 727                                    ! Put 617 in remote
190 OUTPUT 727;"F1XR10X"                        ! Amps, 2mA range
200 OUTPUT 727;"Z1X"                             ! Zero correct instrument
210 OUTPUT 727;"G1X"                             ! Reading without prefix
220 Vdstart=0                                     ! Define 0V start Vds
230 Vdstop=10                                    ! Define 10V stop Vds
240 Vdstep=1                                     ! Define 1V step Vds
250 PRINT "Close lid, press CONT to begin test"
260 PAUSE
270 OUTPUT 716;"R1N1X"                          ! Arm 236 trigger, turn on output
280 OUTPUT 727;"C0X"                             ! Turn off 617 zero check
290 OUTPUT 727;"O1X"                             ! Turn on 617 voltage source
300 K=1
310 FOR I=Vgstart TO Vgstop STEP Vgstep ! Loop for all Vgs curves
320 OUTPUT 716;"B";I;"",0,";Dly;"X" ! Program 236 for Vgs voltage value
330 PRINT "Generating sweep with ";I;"V"
340 TRIGGER 716                                  ! Trigger 236 Unit
350 L=1                                           ! Declare array index counter
360 FOR J=Vdstart TO Vdstop STEP Vdstep ! Loop for all Vds values
370 OUTPUT 727;"V";J;"X"                        ! Program 617 voltage
380 WAIT 2                                       ! Wait 2 sec settling time
390 ENTER 727;Reading(K,L,2)                    ! Get Id data from 617
400 Reading(K,L,2)=ABS(Reading(K,L,2))! Take absolute value
410 Reading(K,L,1)=J                              ! Put Vds value in array
420 L=L+1
430 NEXT J                                       ! Loop back for next reading
440 K=K+1                                       ! Increment array index
450 NEXT I                                       ! Loop back for next Vgs value
460 OUTPUT 727;"O0XC1X"                        ! Turn off 617 output, enable zero check
470 OUTPUT 716;"N0X"                             ! Turn off 236 output
480 PRINT "Press CONT to display graph"
490 PRINT "Press CONT while in graph to return to BASIC"
500 PAUSE

```

**SECTION 6***Using Source Measure Units with Other Instruments*

```
510  Ymin=MAXREAL                ! Find minimum and maximum Id value
520  Ymax=-MAXREAL
530  FOR I=1 TO 5
540  FOR J=1 TO 11
550  IF Reading(I,J,2)<Ymin THEN Ymin=Reading(I,J,2)
560  IF Reading(I,J,2)>Ymax THEN Ymax=Reading(I,J,2)
570  NEXT J
580  NEXT I
590  OUTPUT KBD;CHR$(255);CHR$(75); ! Clear screen
600  GINIT                        ! Initialize graphics
610  PLOTTER IS CRT,"INTERNAL"    ! Define plot to CRT
620  GRAPHICS ON                 ! Turn on graphics
630  MOVE 20,95                  ! Title graph
640  LABEL "COMMON SOURCE CHARACTERISTICS"
650  MOVE 70,10                  ! Label X axis
660  LABEL "Vds"
670  MOVE 3,53                   ! Label Y axis
680  LABEL "Id"
690  VIEWPORT 30,120,20,85      ! Define soft clip limits
700  WINDOW Vdstart,Vdstop,Ymin,Ymax ! Scale graph
710  Y1=(Ymax-Ymin)/10          ! Compute Y axis increment
720  X1=(Vdstop-Vdstart)/10     ! Compute X axis increment
730  GRID 2*X1,2*Y1,Vdstart,Ymin ! Draw grid
740  AXES X1,Y1,Vdstart,Ymin    ! Add some tick marks
750  FOR I=1 TO 5                ! Loop for all five curves
760  FOR J=1 TO 11               ! Loop for all 11 points per curve
770  PLOT Reading(I,J,1),Reading(I,J,2) ! Plot point
780  NEXT J                      ! Plot next point
790  PENUP
800  NEXT I                      ! Plot next curve
810  CSIZE 4                     ! Define character size
820  LORG 6                      ! Center characters
830  CLIP OFF                    ! Turn off soft clip
840  FOR I=Vdstart TO Vdstop+.01*X1 STEP X1 ! Number X axis
850  MOVE I,Ymin-(Y1/4)
860  LABEL USING "#,K";I
870  NEXT I
880  FOR I=Ymin TO Ymax+.01*Y1 STEP Y1 ! Number Y axis
890  MOVE Vdstart-(1.3*X1),I+(.3*Y1)
900  LABEL USING "#,MD.DE";I
910  NEXT I
920  PAUSE
930  OUTPUT KBD;CHR$(255);CHR$(75); ! Clear alpha screen
940  GRAPHICS OFF                ! Clear graphics screen
950  END
```

## 6.4 POWER TRANSISTOR TESTING

The power levels required for power transistor testing are often above the capabilities of a Model 236 or 237 Source Measure Unit. In such cases, a Model 228A Voltage/Current Source can be used in place of a Source Measure Unit. The Model 228A can provide a maximum of 101V at 1.01A (or 10.1V maximum at 10.1A), for a power level approximately ten times that of the Models 236 and 237.

The same general tests that are run on small-signal transistors can also be run on power transistors. Typical examples include current gain tests and common-emitter characteristics. In this paragraph, we will demonstrate current gain tests on power transistors.

### 6.4.1 Test Configuration

Figure 6-9 shows the general configuration for current gain tests of high-power transistors. The Model 236 Source Measure Unit sources the base current, and the Model 228A Voltage/Current Source supplies  $V_{CE}$ , and it also measures  $I_C$ . The current gain,  $\beta$ , is computed from the  $I_C$  and  $I_B$  values.

### 6.4.2 Test Connections

Figure 6-10 shows the test connections for the power transistor current gain tests using the Source Measure Unit and voltage/current source. Model 7078-TRX triax

cables are used to make connections between the unit and user-supplied fixture (assuming that the test fixture is equipped with triax connectors). Model 228A connections can be made by wiring the quick disconnect connector directly to the user supplied test fixture; binding posts or screw terminals should be adequate for this application. Be sure to use wiring appropriate for the current and voltage levels involved (101V insulation, 1.01A current-carrying capability).

#### WARNING

Hazardous voltages may be present at the test fixture. Since the Model 228A does not have provisions for using an interlock circuit, be especially careful when using this test configuration. Always be certain to close the test fixture lid before applying power to the circuit under test. Connect fixture chassis to safety earth ground using #18AWG minimum wire before use. Turn off all power before connecting or disconnecting wires or cables.

#### NOTE

The leads on many power transistors are too large for the transistor sockets on the Model 8006 test fixture. For that reason, and because of the power levels involved, the use of a Model 8006 Test Fixture for power transistor testing is not recommended.

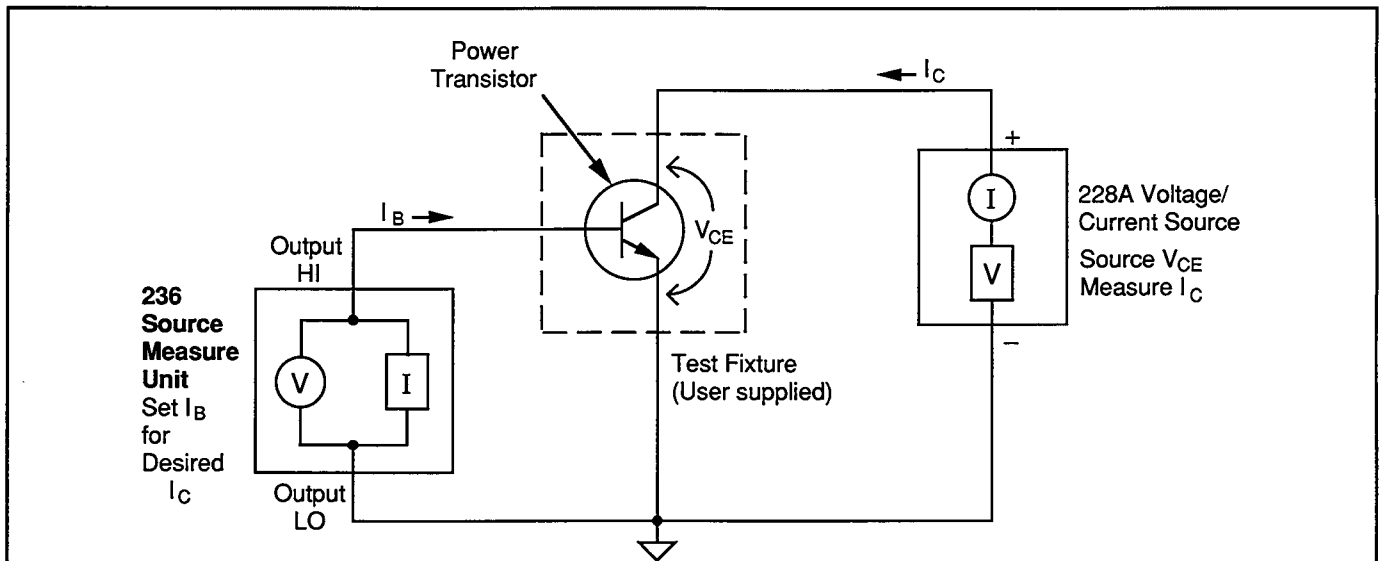
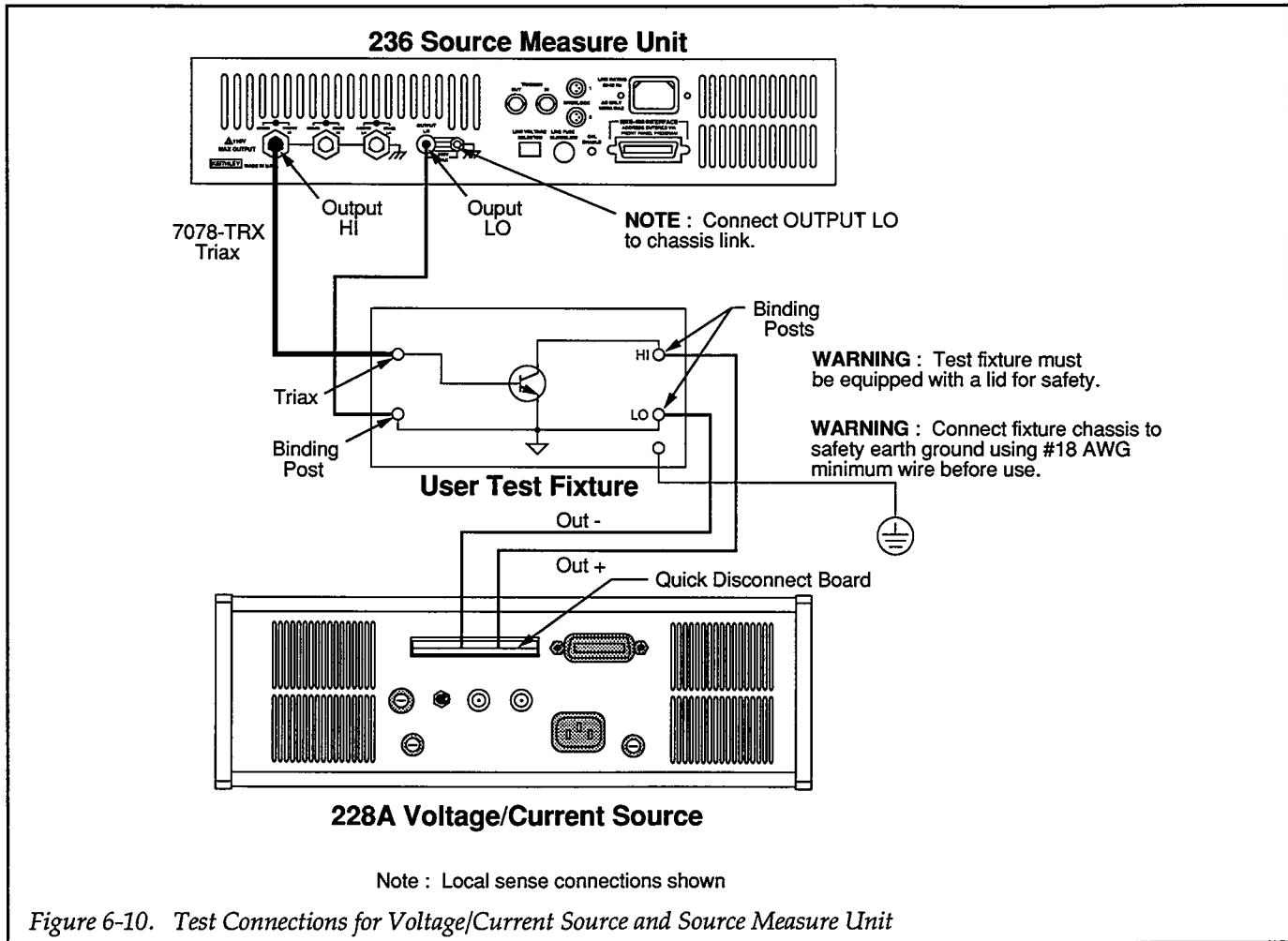


Figure 6-9. Test Configuration Using Voltage/Current Source and Source Measure Unit



### 6.4.3 Measurement Considerations

This test configuration is intended for testing power transistors. Because of the higher offset currents that may be present, this setup should not be used for making critical, low-current measurements. Use the test configuration discussed in Section 3 for current-gain tests using lower current values.

### 6.4.4 Program 19: Power Transistor Current Gain

Program 19 below can be used to test current gain of power transistors using a Model 236 Source Measure Unit and a Model 228A Voltage/Current Source. As outlined previously, the maximum power level that can be supplied by the Model 228A is approximately 100W.

In order to run the program, follow the steps below.

1. With the power off, connect both the Model 228A Voltage/Current Source and the Model 236 Source Measure Unit to the IEEE-488 interface of the computer.
2. Connect the test fixture to the Source Measure Unit and voltage/current source using appropriate cables and wires (see Figure 6-10).
3. Turn on both instruments, and allow the units to warm up for rated accuracy. The Model 236 requires two hours warm-up, and the Model 228A requires 10 minutes warm-up. Make sure the primary address of the Model 236 is set to 16 and that the primary address of the Model 228A is set to 11.
4. Turn on the computer, and boot up BASIC.
5. Enter the lines below into the computer.
6. Install an NPN power transistor such as an MJE240 in the appropriate transistor socket of the test fixture, then close the test fixture lid.
7. RUN the program in the usual manner. The computer will prompt you to type in the the minimum and maximum  $I_B$  search values, the target value for  $I_C$ , and the  $V_{CE}$  value for the test. Keep in mind the ap-

proximate current gain as well as the 100mA Source Measure Unit current limitation when entering the base current value.

8. Once the instruments are programmed, the program will search for the optimum  $I_B$  value to perform the test at an  $I_C$  value to within 5% of the target, and display the current gain of the device. If the number of iterations has been exceeded, or if the Model 228A is found to be over compliance, a message will be displayed. If the number of iterations are exceeded, try running the program again with a closer range of  $I_B$  values.

### 6.4.5 Typical Program 19 Results

A typical power transistor current gain is lower than for small-signal devices. For the recommended transistor used in this test, a typical current gain would be about 25, but that will vary somewhat depending on the test parameters.

### 6.4.6 Program 19 Description

For the following program description, refer to the program listing below and the flowchart shown in Figure 6-11.

Initially, the reading array is dimensioned (line 30), and the iteration variables are defined (lines 40 and 50). Both instruments are returned to default conditions by a DCL command (line 60), and the Model 236, which sources  $I_B$ , is programmed as follows (lines 90-130):

- Source I, dc mode
- Local sensing
- 1V compliance, 1.1V range
- Source data format with no prefix, dc data
- Trigger on GET

The minimum and maximum  $I_B$  values, and the target  $I_C$  values are then entered (lines 140-170), and the Model 228A voltage current source, which sources  $V_{CE}$  and measures  $I_C$ , is programmed for the volts/amps data format with prefix (line 200), 1A current compliance (line 210), and the unit is programmed to output the  $V_{CE}$  voltage value (line 230).

Next, the programmed voltage is checked for a hazardous level, and an appropriate warning is displayed if the

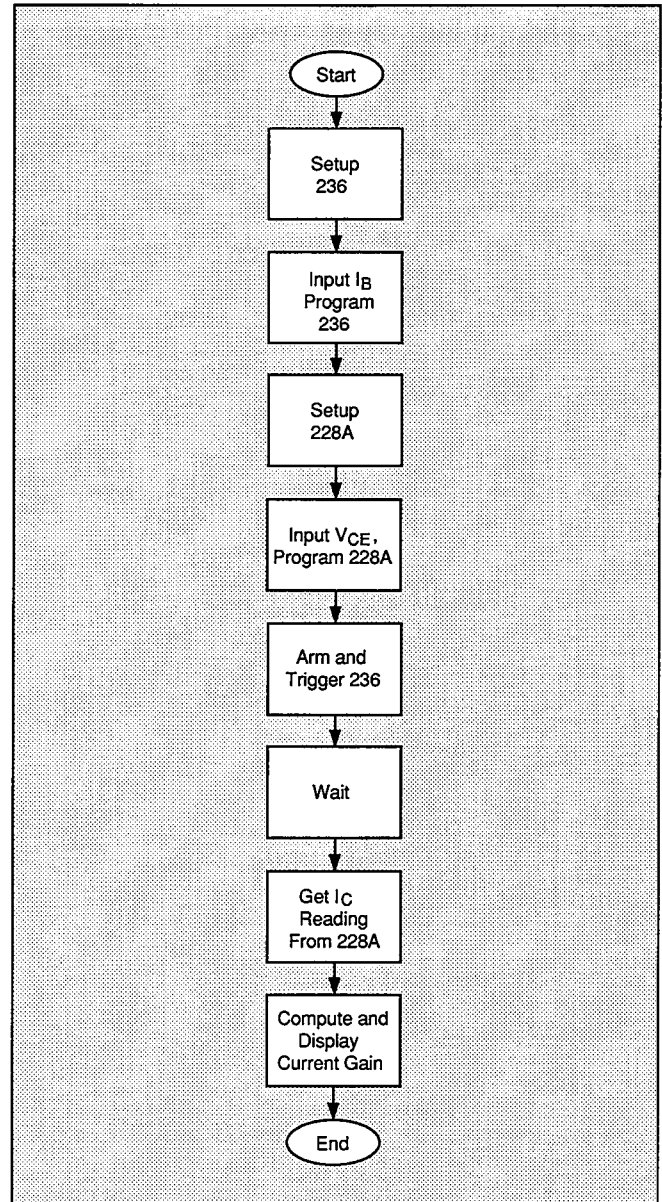


Figure 6-11. Program 19 Flowchart

voltage will exceed 30V (lines 240-270). The user is then prompted to close the test fixture lid and begin the test (lines 280 and 290).

Once the two instruments are programmed, the Source Measure Unit trigger is armed and the units are placed into operate (lines 300 and 310). The Source Measure Unit is triggered (line 330), and, the iteration counter is incremented and checked to see if the maximum number of iterations has been exceeded. If so, a message is displayed, and the program halts.

The Model 236 is then programmed with the present value of  $I_B$  (line 410), and, after the programmed delay period (line 420), the reading string is obtained from the instrument (line 430), and the string is then checked to see if an over-compliance condition has occurred (lines 440-490). If an over-compliance condition is found, a message to that effect is displayed, the instruments are cleared, and the program halts.

The string is then converted to a numeric (line 500), and the  $I_C$  value is checked against the target (lines 510-600). If the  $I_C$  value is not within  $\pm 5\%$  of the target, the program calculates a new  $I_B$  value and then loops back to run the test again. Once the target is reached, the Models 228A and 236 are placed into standby (lines 610 and 620, and the current gain is calculated and displayed (line 630).

### **6.4.7 Modifying Program 19**

The current limit of the Model 228A is set to 1A by the program. This current value will allow you to use voltages up to 101V. If larger currents (up to 10.1A) are required, modify line 210 of the program accordingly. Note however, that for currents above 1.01A, the output voltage of the Model 228A is limited to 10.01V.

The tolerance for the  $I_C$  target search is set to  $\pm 5\%$ , but this value can be changed to a tighter value, if desired. Note, however, that it will probably be necessary to increase the number of iterations if the target range is decreased.

```

10  REM POWER TRANSISTOR CURRENT GAIN TEST PROGRAM REV. 1.3 (Program 19)
20  REM USES 236 SOURCE MEASURE UNIT AND 228A VOLTAGE/CURRENT SOURCE
30  DIM Reading$(100)           ! Dimension reading string
40  Iterations=20               ! Define number of iterations
50  N=0                         ! Iteration counter
60  CLEAR 7                     ! Clear 236 and 228A source
70  OUTPUT KBD;CHR$(255);CHR$(75); ! Clear screen
80  REM ***** 236 setup (sources Ib) *****
90  REMOTE 716                  ! Put 236 in remote
100 OUTPUT 716;"F1,0X"         ! Source I, DC mode
110 OUTPUT 716;"L1,1X"        ! 1V compliance, 1.1V range
120 OUTPUT 716;"00X"          ! Local sense
130 OUTPUT 716;"T1,0,0,0X"    ! GET trigger,continuous
135 OUTPUT 716;"B0,0,0X"      ! Program 0 bias value
140 INPUT "Enter maximum base current",Ib1 ! Input maximum Ib value
150 INPUT "Enter minimum base current",Ib2 ! Input minimum Ib value
160 Ib=(Ib1-Ib2)/2+Ib2        ! Compute start Ib value
170 INPUT "Enter target Ic",Itarget ! Input target Ic value
180 REM ***** 228A setup (sources Vce, measures Ic) *****
190 REMOTE 711                  ! Put 228A in remote
200 OUTPUT 711;"G4X"          ! Select volts, amps data format
210 OUTPUT 711;"I1X"          ! 1A compliance
220 INPUT "Enter Vce",Vce      ! Input Vce
230 OUTPUT 711;"V";Vce;"X"    ! Program 228A voltage value
240 IF ABS(Vce)>30 THEN        ! Check for dangerous voltage
250 PRINT "Hazardous voltage will be applied to device during test"
260 BEEP
270 END IF
280 PRINT "Close test fixture lid, press 'CONT'"
290 PAUSE
300 OUTPUT 716;"R1N1X"        ! Arm 236 trigger,turn on output
310 OUTPUT 711;"F1X"          ! Turn on 228A output
320 PRINT "Measuring..."
330 TRIGGER 716                ! Trigger 236
340 N=N+1                      ! Increment iteration counter
350 IF N>Iterations THEN      ! Check for maximum iterations
360 CLEAR 7
370 BEEP
380 PRINT "Iterations exceeded";Iterations
390 STOP
400 END IF
410 OUTPUT 716;"B";Ib;"",0,0X" ! Program 236 current value
420 WAIT 1                     ! Wait one second settling time
430 ENTER 711;Reading$        ! Get reading from 228A
440 IF Reading$(1,1)="0" THEN ! Check for over compliance
450 CLEAR 7
460 BEEP
470 PRINT "228A is over compliance"
480 STOP
490 END IF
500 Ic=VAL(Reading$(19,28))    ! Convert string to numeric

```

**SECTION 6***Using Source Measure Units with Other Instruments*

---

```
510  IF Ic>1.05*Itarget THEN      ! Check for Ic > target
520  Ib1=Ib
530  Ib=Ib-(Ib-Ib2)/10
540  GOTO 340
550  END IF
560  IF Ic<.95*Itarget THEN      ! Check for Ic < target
570  Ib2=Ib
580  Ib=Ib+(Ib1-Ib)/10
590  GOTO 340
600  END IF
610  OUTPUT 716;"N0X"           ! Turn off 236 output
620  OUTPUT 711;"F0X"           ! Turn off 228A output
630  PRINT "Current gain=";Ic/Ib ! Display current gain
640  END
```



# SECTION 7

## Adding Switching Capabilities to a Source Measure Unit Test System

---

### 7.1 INTRODUCTION

Adding switching equipment to a Source Measure Unit test system can greatly enhance the capabilities of such a system. Two examples of how switching can increase versatility are (1) using a scanner to switch multiple DUTs, and (2) using a matrix card to allow switching flexibility to any node in the system. Each of these general switching configurations is discussed in the following paragraphs.

For the sake of brevity, many aspects of using a switching system have not been included here. For more detailed information on switching, request the [Switching Handbook](#), which is available from Keithley Instruments, Inc. Contact your Keithley representative or the factory for more information.

### 7.2 SCANNER SWITCHING OF MULTIPLE DUTS

The following paragraphs discuss methods for switching multiple DUTs to a single set of Source Measure Units in a test system using a scanner. For this application, we will assume that dc current gain tests on 10 transistors in a given test fixture are to be performed.

#### 7.2.1 System Configuration

Figure 7-1 shows the overall system configuration for the scanner/Source Measure Unit switching system. In addition to the Source Measure Units, which perform the stimulus and measurement, the system includes a Model 705 Scanner with two Model 7058 Low Current Scanner Cards to add the switching functions. For this application with the equipment shown, a total of 10 DUTs can be tested on an automated basis.

The test fixture could be custom-built, or several Model 8006 test fixtures could be used.


#### 7.2.2 Test Configuration

Figure 7-2 shows the test configuration for this application. The equipment configuration is similar to that used for the current gain tests discussed earlier in this section except for addition of switching circuits. Note that single-pole switching on the base and collector circuits is used in order to minimize switching complexity. Keep in mind this configuration precludes the use of remote sensing; if remote sensing is required, two additional poles of switching for each DUT will be necessary.

#### 7.2.3 Equipment Connections

Figure 7-3 shows the equipment connections for the multiple-device current gain tests. For the sake of simplicity, only one set of connections for a single device located in a Model 8006 test fixture are shown. In order to test multiple devices, additional test fixtures are required, or you could use your own custom-built design to house all ten devices in a single fixture. Note that Model 6172 2-slot male to 3-lug female adapters will be necessary to connect the 3-slot triax cables to the scanner card jacks, which are equipped with 2-lug female triax connectors.

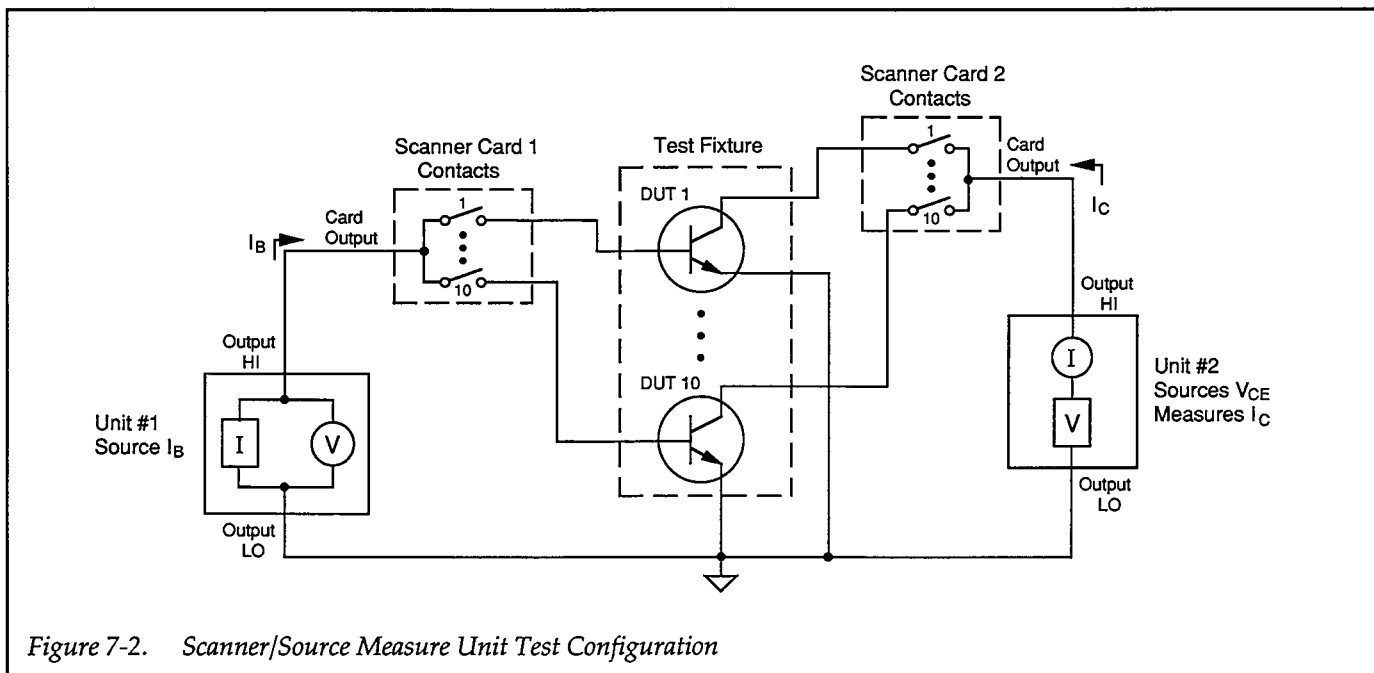
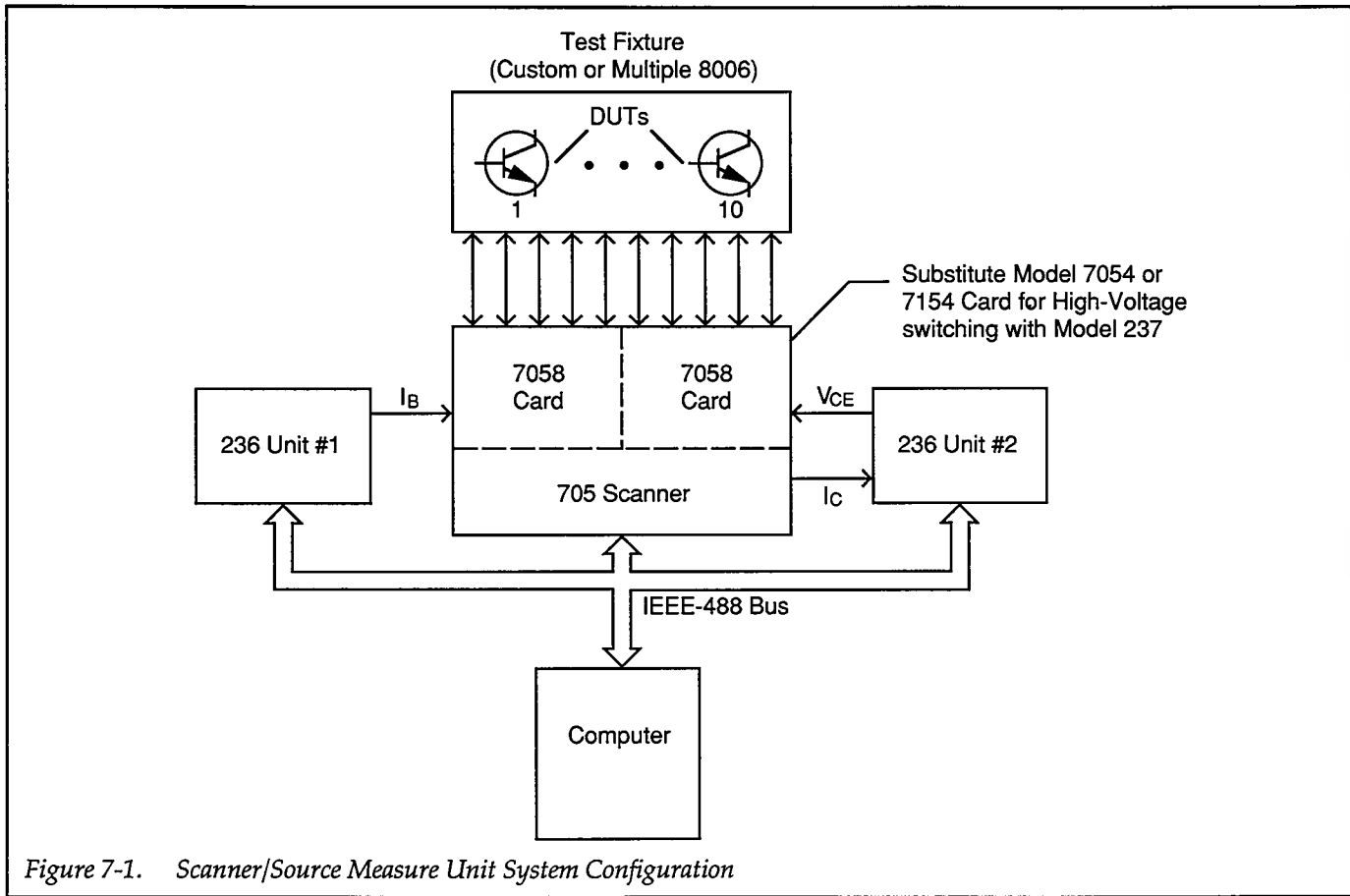
#### WARNING

Connect interlock circuits before use. Connect fixture  to safety earth ground using #18 AWG minimum wire before use. If a custom fixture is used, it must be totally enclosed for safety, and the fixture chassis must be connected to safety earth ground using #18 AWG minimum wire before use. Turn off all power before connecting or disconnecting wires or cables

#### 7.2.4 Measurement Considerations

Adding switching to any test system brings the added consideration of how such switching will affect the measurements. For low currents, the offset current of the card can become a consideration because such offsets can af-

**SECTION 7**  
*Adding Switching Capabilities to a  
 Source Measure Unit Test System*



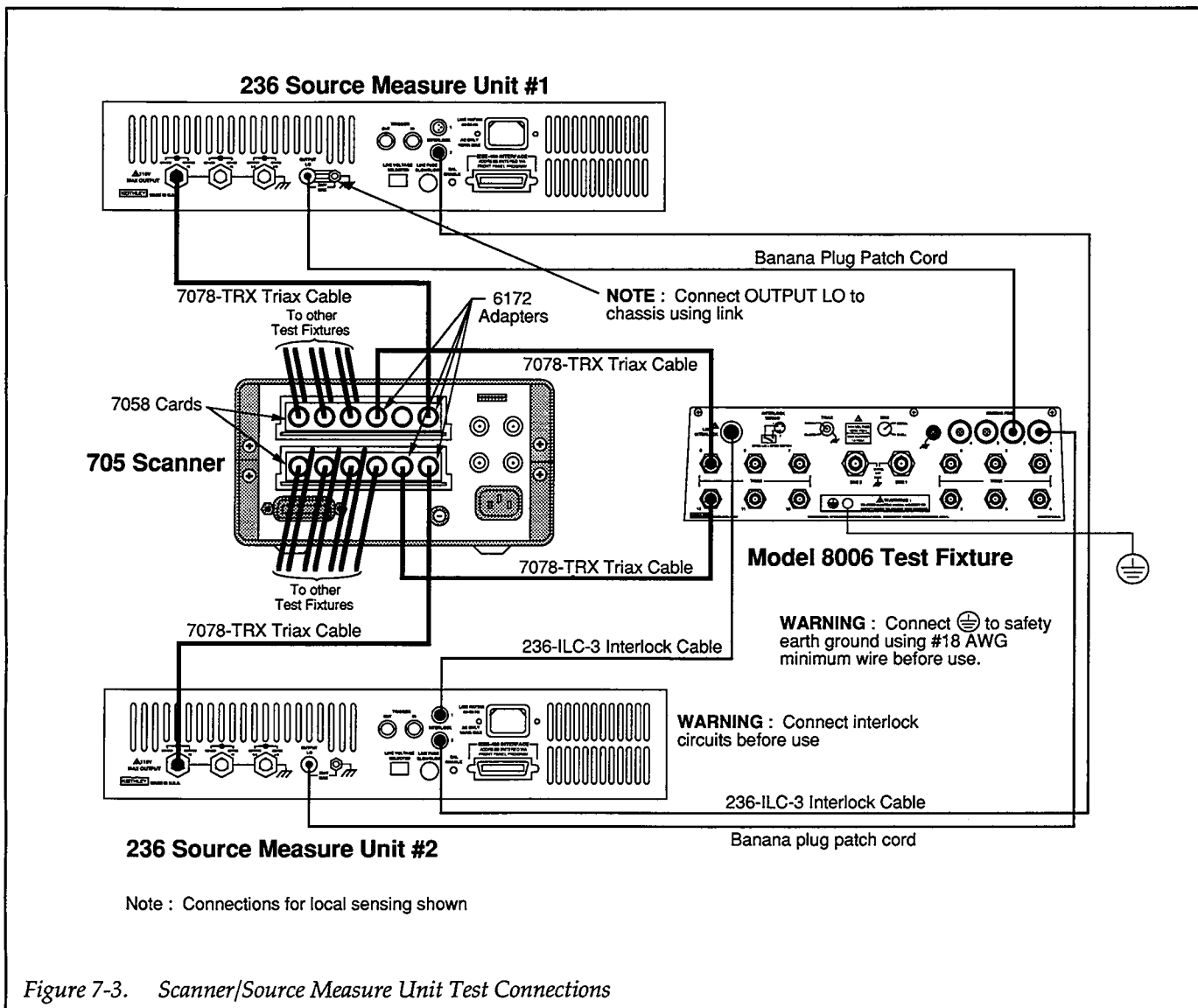


Figure 7-3. Scanner/Source Measure Unit Test Connections

fect measurement accuracy. The Model 7058 card used for this application has a specified offset current of 1pA which should not be a factor in most cases; however, for currents below 1nA, the offset current could affect the accuracy of your measurements. Note that guard is carried through on the inner shield to minimize these effects.

Similarly, the effects of switching can result in errors if sufficient time is not allowed for the circuit to settle before measurements. While such effects are particularly pronounced for high-impedance circuits, they can also be seen in lower-impedance circuits, although usually to a lesser degree. To allow the circuit to settle to less than 1% of final value, the settling time should be at least 5RC, where R and C are the effective circuit resistance and ca-

pacitance respectively. Allow a settling time of 7RC for settling to within 0.1% of final value.

The path isolation of the card can also come into play when testing high-impedance circuits. The path isolation resistance effectively forms a voltage divider with the resistance of the DUT. In general, path isolation resistance should be at least 100 to 1000 times the source resistance so as to have minimal effect on the measurements.

Be sure to remove the channel jumpers to avoid shorting the source. Also, for high-voltage switching with a Model 237, substitute a Model 7054 or 7154 High-voltage Scanner Card.

## 7.2.5 Program 20: Dc Current Gain of Multiple DUTs

Use Program 20 below to perform dc current gain tests on 10 bipolar transistors. Proceed as follows:

1. With the power off, connect both Model 236 Source Measure Units and the Model 705 Scanner to the IEEE-488 bus of the computer.
2. Connect the test fixture(s) and both Source Measure Units to the two scanner cards using appropriate triax cables (see Figure 7-3 for details on test connections). With the scanner power still off, install both Model 7058 Scanner Cards in the scanner after making test connections.
3. Turn on both Source Measure Units, and allow them to warm up for at least two hours for rated accuracy. Be sure that the primary address of Unit #1 is set to 16, and that the primary address of Unit #2 is set to 17. Also turn on the Model 705 Scanner, and verify that its primary address is set to 18.
4. Turn on the computer, then boot up BASIC.
5. Enter the lines below into the computer
6. Install 10 small-signal silicon transistors to be tested in the desired test fixture sockets (transistors should have characteristics similar to a 2N3904 or 2N5089). Install the required jumpers for all devices, then close the test fixture lid.
7. RUN the program, and follow the prompts on the screen. You will be prompted to enter 10 base current values (one for each of the 10 devices) and then the desired value of  $V_{CE}$ . When entering the base currents, keep the approximate current gains of the devices in mind so as not to saturate them. Note that no iterative search algorithm is included in this example program for the sake of simplicity.
8. Once the parameters are entered, the instruments will be programmed accordingly, and the collector current of each device will be measured. The dc current gain of each device will then be displayed on the computer CRT after all transistors are tested.

## 7.2.6 Typical Program 20 Results

A typical current gain for a 2N5089 would be about 500. Note however, that the current gain of the device could be as low as 300 or as high as 900.

## 7.2.7 Program 20 Description

For the following description, refer to the flowchart shown in Figure 7-4 and the Program 20 listing shown below.

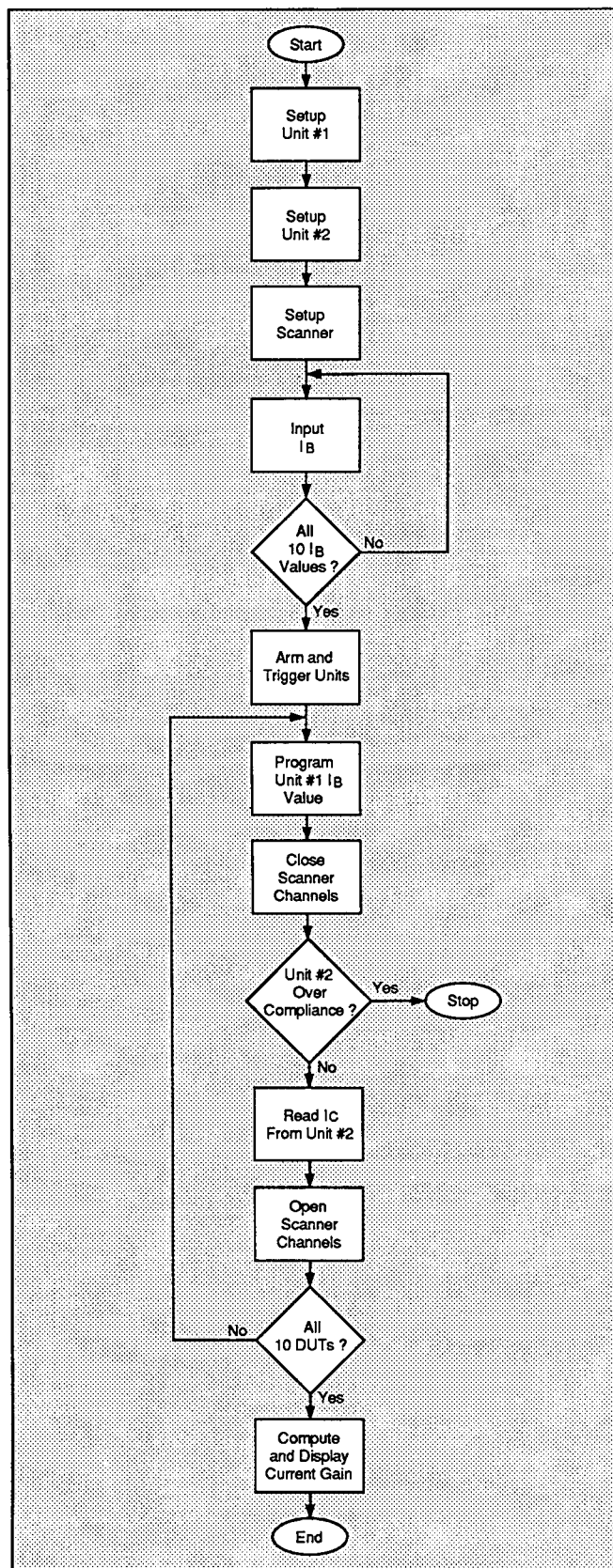


Figure 7-4. Program 20 Flowchart

After both units and the scanner are returned to default conditions (line 20), two storage arrays for  $I_B$  and  $I_C$  values are defined (line 40). Next, Unit #1, which sources  $I_B$ , is set up as follows (lines 60-100):

- Source I, dc mode
- 1V compliance, 1.1V range
- Local sense
- GET trigger, continuous

Following Unit #1 setup, Unit #2, which sources  $V_{CE}$  and measures  $I_C$ , is configured as follows (lines 130-210):

- Source V, dc mode
- Local sense
- 10mA compliance, autorange measure
- Source only data format, no prefix, dc data output
- Trigger on GET, continuous
- Line cycle integration
- Dc voltage, value determined by user-input  $V_{CE}$  value

Next, the scanner is placed in the one-pole mode (line 230), and a program loop allows the operator to input all 10  $I_B$  values for the test (lines 240-270). Once the operator signals to continue the program (lines 280 and 290), both Source Measure Unit triggers are armed and the units are placed into operate (lines 300 and 310). Next, the units are triggered (lines 330 and 340), and the program enters the main loop to test all 10 devices (line 350).

At the start of the loop, Unit #1 is programmed with the  $I_B$  current value, and the the scanner channels for the present device are closed (lines 370 and 380). After a one-second delay, the status byte is then obtained from Unit #2 (line 400), and bit 7 in the status byte is then checked (lines 410-440) to see if it is set. If so, Unit #2 is over compliance, the operator is then notified, and the program is halted.

Assuming no error, the value of  $I_C$  for the current device is requested and placed into the  $I_C$  array (line 460), and the scanner channels are then opened (lines 470 and 480). The program then loops back to test the next device (line 490).

After all 10 devices are tested, both Source Measure Units are placed into standby (lines 500 and 510), and the dc current gain for each of the 10 devices is calculated and displayed (lines 520-540).

## 7.2.8 Modifying Program 20

As written, the program assumes that 10 devices are to be tested, each with a different  $I_B$  current value. For a different number of devices, simply modify the loop counter values as required. To test all devices with the same value of  $I_B$ , change the program to input only one  $I_B$  value, and program Unit #1 with that value alone.

**SECTION 7**  
*Adding Switching Capabilities to a  
 Source Measure Unit Test System*

```

10  REM DC CURRENT GAIN WITH SCANNING TEST PROGRAM REV. 1.3 (Program 20)
20  CLEAR 7                                ! Clear both Units and scanner
30  OUTPUT KBD;CHR$(255);CHR$(75);        ! Clear screen
40  DIM Ib(10),Ic(10)                      ! Dimension Ib and Ic storage arrays
50  REM ***** Unit 1 setup (sources Ib) *****
60  REMOTE 716                              ! Put Unit 1 in remote
70  OUTPUT 716;"F1,0X"                     ! Source I, DC mode
80  OUTPUT 716;"L1,1X"                     ! 1V compliance, 1.1V range
90  OUTPUT 716;"00X"                       ! Local sense
100 OUTPUT 716;"T1,0,0,0X"                 ! GET trigger,continuous
110 Dly=100                                ! Define 100msec Unit delay
120 REM ***** Unit 2 setup (sources Vce, measures Ic) *****
130 REMOTE 717                              ! Put Unit 2 in remote
140 OUTPUT 717;"F0,0X"                     ! Source V, DC mode
150 OUTPUT 717;"00M128,0X"                 ! Local sensing,SRQ
160 OUTPUT 717;"L10E-3,0X"                ! 10mA compliance,autorange measure
170 OUTPUT 717;"G4,2,0X"                  ! Measure,no prefix,DC data
180 OUTPUT 717;"T1,0,0,0X"                ! Trigger on GET,continuous
190 OUTPUT 717;"S2Z0X"                     ! Line cycle integration,suppress off
200 INPUT "Enter Vce",Vce                  ! Input Vce
210 OUTPUT 717;"B";Vce;"",0,"";Dly;"X"    ! Program DC,autorange,delay
220 REMOTE 718                              ! Put 705 scanner in remote
230 OUTPUT 718;"A1X"                       ! Select 1-pole mode
240 FOR I=1 TO 10                           ! Loop for all 10 Ib values
250 DISP "Enter device";I;"current";      ! Prompt for Ib value
260 INPUT Ib(I)                             ! Input Ib value
270 NEXT I                                  ! Loop back for next Ib value
280 PRINT "Close lid(s), press CONT to begin test"
290 PAUSE
300 OUTPUT 716;"R1N1X"                     ! Arm Unit 1 trigger,turn on output
310 OUTPUT 717;"R1N1X"                     ! Arm Unit 2 trigger,turn on output
320 PRINT "Measuring..."
330 TRIGGER 716                             ! Trigger Unit 1
340 TRIGGER 717                             ! Trigger Unit 2
350 FOR I=1 TO 10                           ! Loop to test all 10 devices
360 OUTPUT 716;"B";Ib(I);"",0,"";Dly;"X" ! Program Unit 1 with Ib value
370 OUTPUT 718;"C";I;"X"                   ! Close scanner channel I
380 OUTPUT 718;"C";I+10;"X"               ! Close scanner channel I+10
390 WAIT Dly/1000+1                         ! Wait for settling
400 Stat=SPOLL(717)                         ! Serial poll Unit 2
410 IF BIT(Stat,7) THEN                     ! Check for over compliance
420 BEEP
430 PRINT "Unit is over current compliance on device #";I
440 STOP
450 END IF
460 ENTER 717;Ic(I)                         ! Get Ic reading from Unit 2
470 OUTPUT 718;"N";I;"X"                   ! Open scanner channel I
480 OUTPUT 718;"N";I+10;"X"               ! Open scanner channel I+10
490 NEXT I                                  ! Loop back to test next device

```

```
500  OUTPUT 716;"N0X"           ! Turn off Unit 1 output
510  OUTPUT 717;"N0X"           ! Turn off Unit 2 output
520  FOR I=1 TO 10              ! Loop for all 10 current gains
530  PRINT "Device #";I;"current gain=";Ic(I)/Ib(I) ! Display current gain
540  NEXT I                      ! Loop back and display next gain
550  END
```

### **7.3 RESISTIVITY TESTING USING MATRIX SWITCHING IN A SOURCE MEASURE UNIT TEST SYSTEM**

One example that demonstrates matrix switching benefits is resistivity tests on semiconductors. The following paragraphs discuss such resistivity tests using a Source Measure Unit/matrix switching system.

#### **7.3.1 System Configuration**

Figure 7-5 shows a typical system configuration for performing resistivity tests using a Source Measure Unit. In addition to the Source Measure Unit, the system includes a Model 705 Scanner, Model 7152 Low Current Matrix Card, and a Model 8006 test fixture to house the device under test.

With the test configuration shown in Figure 7-5, only one 4-terminal sample can be tested at any given time. However, additional Model 7152 cards can expand columns or rows, allowing more than one sample to be tested by a single test procedure.

#### **7.3.2 Test Configuration**

Figure 7-6 shows a typical resistivity test configuration for a single leg measurement of one sample. Here, the current source of the Source Measure Unit sources a current between two terminals of the sample, while the voltmeter section of the unit measures the voltage across two of the opposite terminals. Generally, eight such measurements are made, as shown in Figure 7-7.

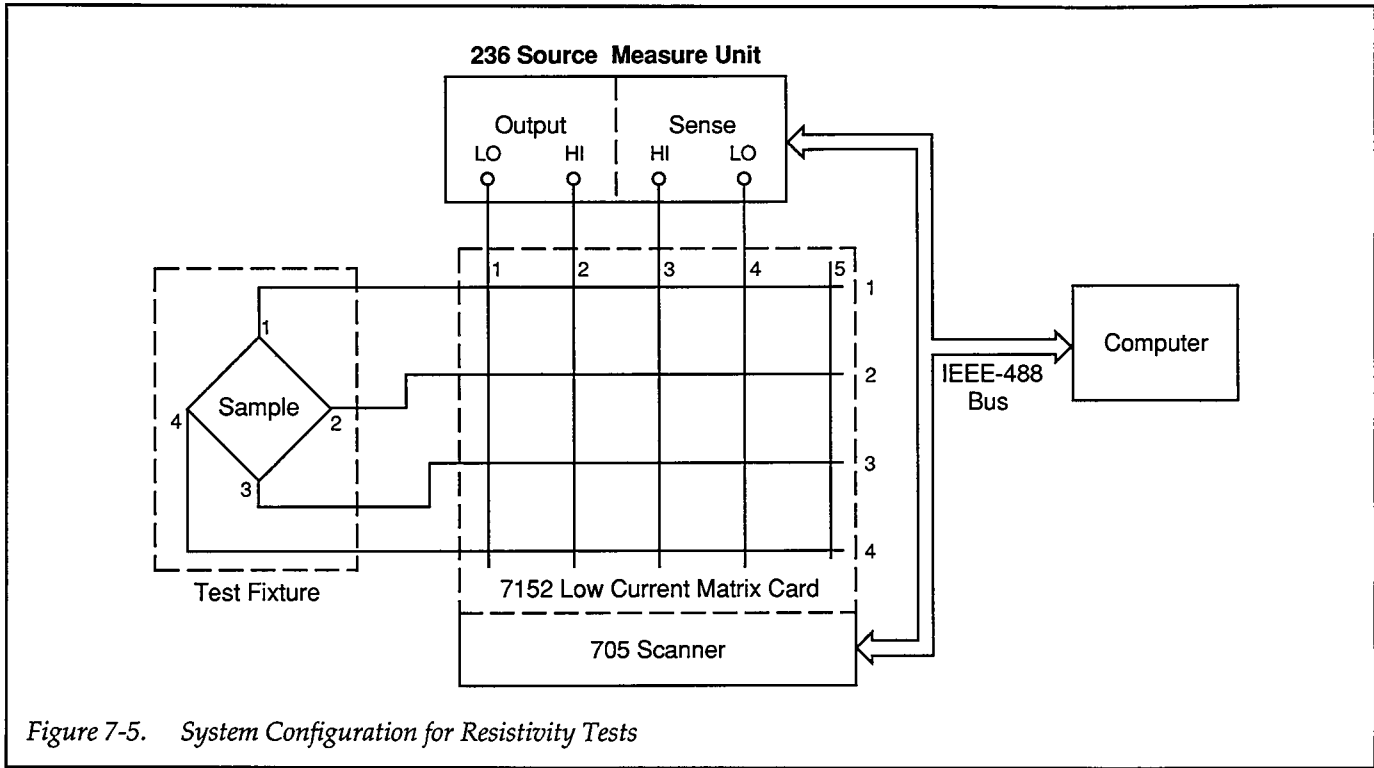


Figure 7-5. System Configuration for Resistivity Tests

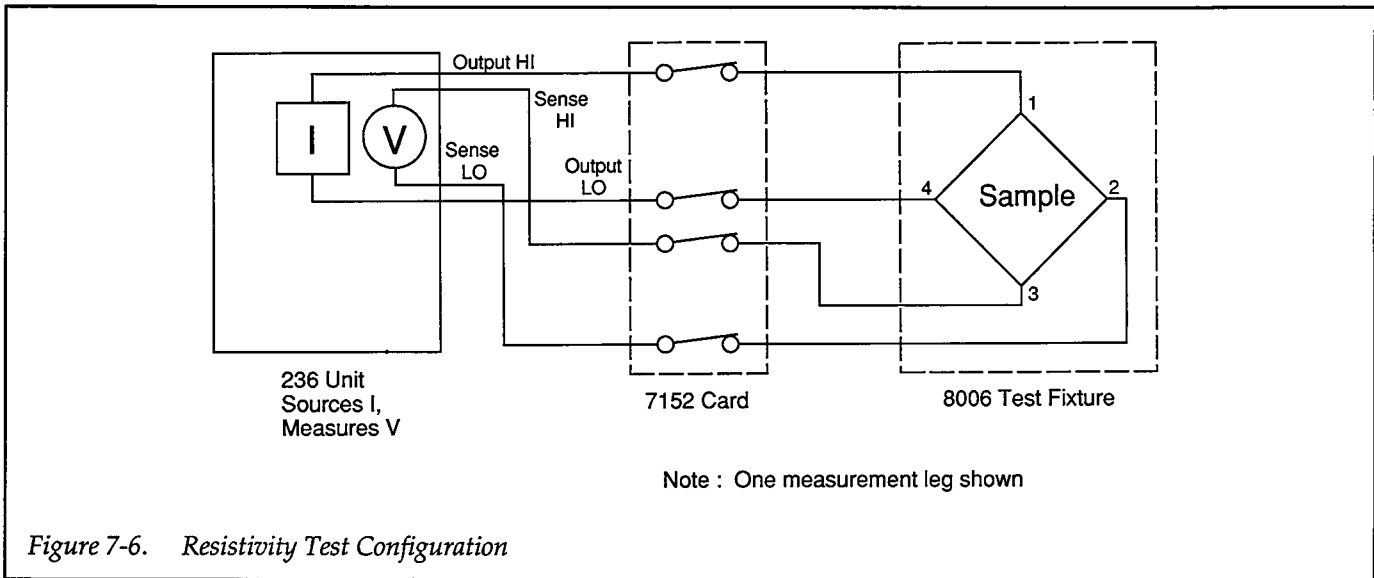


Figure 7-6. Resistivity Test Configuration



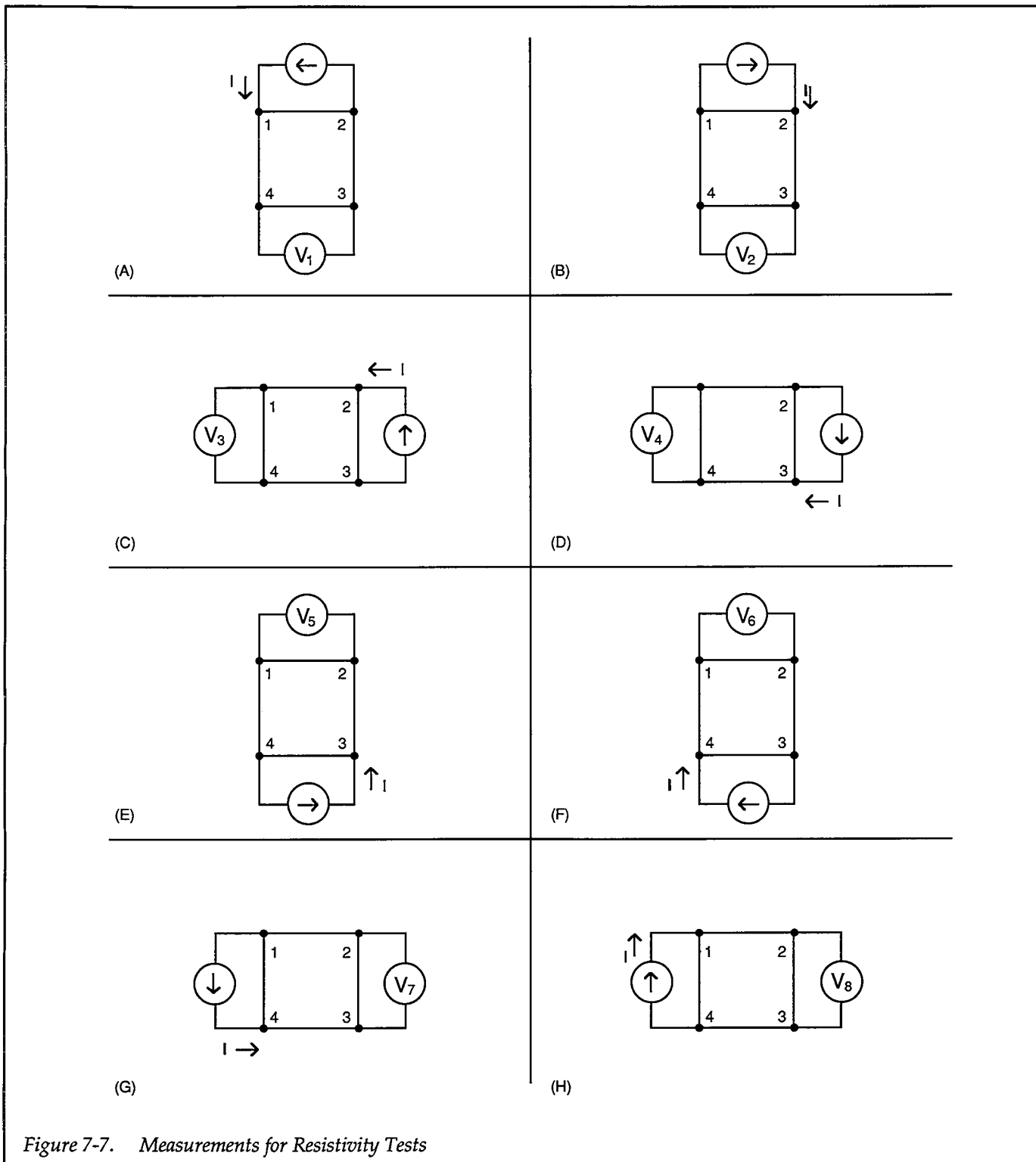


Figure 7-7. Measurements for Resistivity Tests

### 7.3.3 Resistivity Calculations

Resistivity is calculated from the voltage measurements as follows:

$$\sigma_A = \frac{1.1331 f_A t_S (V_2 + V_4 - V_1 - V_3)}{I}$$

$$\sigma_B = \frac{1.1331 f_B t_S (V_6 + V_8 - V_5 - V_7)}{I}$$

Where:  $\sigma_A$  and  $\sigma_B$  are the resistivities in  $\Omega\text{-cm}$   
 $t_S$  is the sample thickness in cm  
 $V_1$  through  $V_8$  are the voltages measured by the Model 236  
 $I$  is the current sourced by the Model 236 in amperes  
 $f_A$  and  $f_B$  are geometrical factors based on sample symmetry ( $f_A = f_B = 1$  for perfect symmetry)

Once  $\sigma_A$  and  $\sigma_B$  are known, the average resistivity,  $\sigma_{AVG}$ , can be computed as follows:


$$\sigma_{AVG} = \frac{\sigma_A + \sigma_B}{2}$$

### 7.3.4 Test Connections

Figure 7-8 shows the test connections for the resistivity tests. The Model 8006 test fixture should be connected directly to the ROW IN or ROW OUT jacks on the Model 7152 Low Current Matrix Card using an optional Model 7152-TRX-10 cable assembly. Connect the Model 236 to the COL IN or COL OUT jacks of the matrix card, again using a Model 7152-TRX-10 cable assembly. For the OUTPUT HI, SENSE HI, and SENSE LO jacks, you can simply connect the triax cables to the corresponding jacks. For the OUTPUT LO connection, however, it will be necessary to use BNC/banana (Pomona Model 1899) and 3-lug female triax to male BNC (Pomona Model 5299) adapters.

#### WARNING

When a Model 236/237 is programmed for remote sensing, hazardous voltage may be present on the SENSE and OUTPUT terminals when the unit is in operate regardless of the programmed voltage or current. To avoid a

possible shock hazard, always turn off all power before connecting or disconnecting cables to the Source Measure Unit or the associated test fixture. Connect interlock circuits before use. Connect fixture  screw to safety earth ground using #18 AWG minimum wire before use.

### 7.3.5 Measurement Considerations

The same general considerations discussed in paragraph 7.2 for the scanner card also apply to matrix card measurements. The offset current ( $<1\text{pA}$  for the Model 7152) comes into play for very low current measurements. The required settling time depends on the impedance levels involved (should be  $>5RC$ ), and the path isolation can affect the accuracy of high-impedance measurements.

#### NOTE

In this application, the sense and source leads are connected to separate points on the DUT, which will result in a potential between OUTPUT HI and SENSE HI, and OUTPUT LO and SENSE LO. Note that the maximum voltage between the OUTPUT and SENSE leads is limited (see specifications). Reduce test current if necessary to keep the voltages below specified limits.

### 7.3.6 Program 21: Resistivity Tests Using a Switching Matrix and Source Measure Unit

Program 21 demonstrates programming techniques for controlling a switching matrix and Source Measure Unit to perform resistivity tests. The basic procedure for using this program is as follows:

1. With the power off, connect the Model 236 Source Measure Unit and the Model 705 Scanner to the IEEE-488 bus of the computer. Also, install the Model 7152 Card in slot 1 of the Model 707 mainframe.
2. Connect the test fixture and the Source Measure Unit to the matrix card using the specified triax cables (see Figure 7-8 and the discussion above for details on test connections).
3. Turn on the Model 236, and allow it to warm up for at least two hours for rated accuracy. Be sure that the primary address of the Source Measure Unit is set to 16. Also, turn on the Model 705, and make certain that its primary address is set to 17.

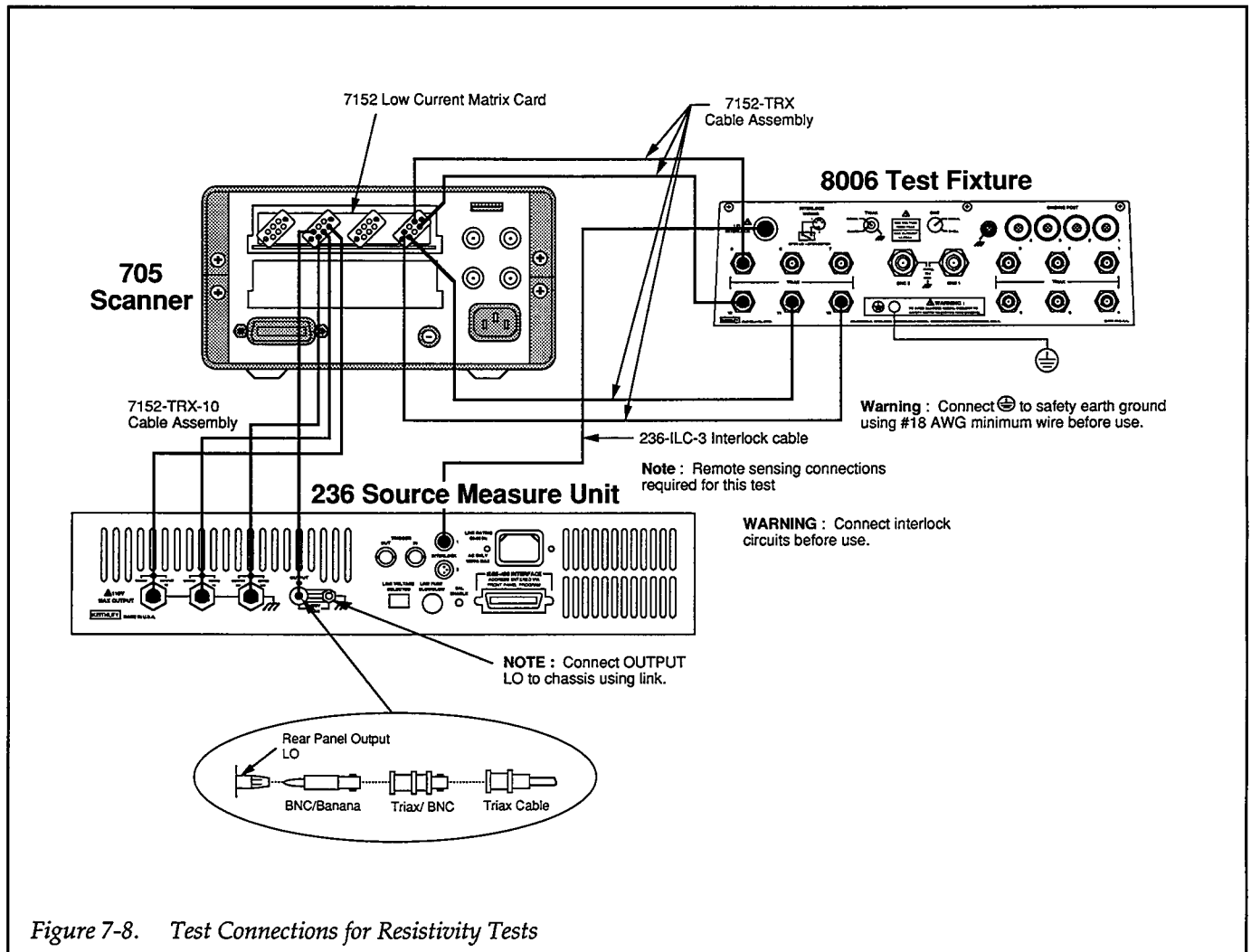


Figure 7-8. Test Connections for Resistivity Tests

4. Turn on the computer, then boot up BASIC.
5. Enter the lines below into the computer
6. Connect the sample to be tested to the appropriate socket terminals on the test fixture, and also install the necessary test fixture jumpers. Use the general configuration shown in Figure 7-6 as a guide to test connections. Close the test fixture lid after making connections.
7. RUN the program, and follow the prompts on the screen. You will be prompted to enter the desired sample current value and then the sample thickness, which should be entered in centimeters. When enter-

- ing the current, keep the approximate DUT resistance values in mind so as not to create an over voltage compliance condition. Also, you must not exceed the maximum voltage between output and sense leads of the Source Measure Unit.
8. Once the parameters are entered, the test will begin. The program will program the Source Measure Unit, and then begin the tests by closing crosspoints. A total of eight measurements will be taken and stored in an array.
9. Once the testing has been completed, the resistivity values will be calculated and displayed.

### 7.3.7 Program 21 Description

Refer to the Program 21 listing below and the flowchart shown in Figure 7-9 for the following description.

At the start of the program, both the Source Measure Unit and the scanner are returned to default conditions (line 20), and the reading array and command string are dimensioned (line 40). Next, the Model 236, which sources the test current and measures the sample voltage, is programmed as follows (lines 60-120):

- Source I, dc mode
- 10V compliance, autorange measure
- Remote sensing
- Measure only data format with no prefix, dc data output
- Continuous trigger on GET
- Line cycle integration

The Model 705 is then placed in remote (line 140), and the scanner is placed into matrix mode (line 150). Next, the operator is prompted to input the desired test current, at which point the Source Measure Unit is programmed with the current value (lines 160 and 170). The operator is then prompted for the sample thickness (line 180), and the program waits for the operator's signal to begin (lines 190 and 200).

Once the operator starts the test, the Model 236 is armed (line 210), and the unit is then triggered (line 220). The program then enters a loop (line 230) to test the sample with a total of eight readings. As part of each loop, the Model 705 command string is read from the DATA statements at the end of the program (line 240), the unit is then programmed to close the desired crosspoints (line 250), and the Model 236 is placed in operate. After a two-second delay for settling (line 270), a voltage reading is requested from the Model 236 and placed into an array (line 280). The Model 236 is placed in standby, and the crosspoints are then opened by reading the next command string (line 300) and then programming the Model 705 accordingly (line 310). The program then loops back for the next measurement (line 320).

Finally, the program computes both  $\sigma_A$  and  $\sigma_B$  (lines 340 and 350), and it then calculates and displays the average resistivity,  $\sigma_{AVG}$  (line 370). Note that the Model 705 com-

mand strings are located in DATA statements at the end of the program (lines 400-550)

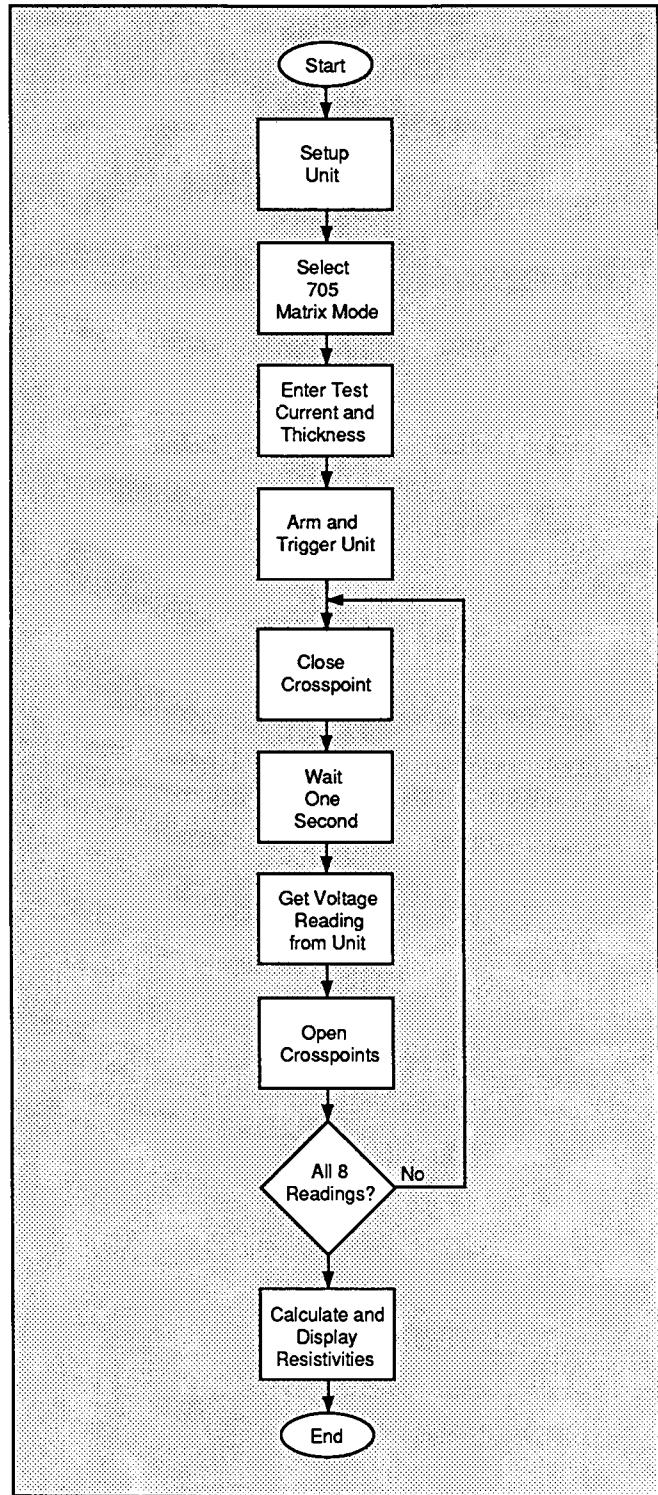


Figure 7-9. Program 21 Flowchart

**CAUTION**

**When the Model 236/237 is in remote sensing, the output voltage will float up to maximum if the sense leads are open and the unit is in operate. To avoid possible switch card damage, always close the appropriate relays**

**before placing the Model 236/237 in operate, and place the unit in standby before opening relays..**

```

10  REM RESISTIVITY TEST PROGRAM REV 1.3 (Program 21)
20  CLEAR 7                                ! Clear Unit and scanner
30  OUTPUT KBD;CHR$(255);CHR$(75);        ! Clear screen
40  DIM V(8),Cmd$(25)                      ! Dimension reading array,command string
50  REM ***** 236 setup (sources I,measures V) *****
60  REMOTE 716                              ! Put 236 in remote
70  OUTPUT 716;"F1,0X"                      ! Source I, DC mode
80  OUTPUT 716;"L10,0X"                    ! 10V compliance, autorange measure
90  OUTPUT 716;"01X"                        ! Remote sense
100 OUTPUT 716;"G4,2,0X"                    ! Measure data,no prefix,DC data
110 OUTPUT 716;"T1,0,0,0X"                 ! Continuous trigger on GET
120 OUTPUT 716;"S2Z0X"                     ! Line cycle integration,suppress off
130 REM ***** 705 scanner setup (switches devices) *****
140 REMOTE 717                              ! Put 705 in remote
150 OUTPUT 717;"A0X"                        ! Select matrix mode
160 INPUT "Enter test current",Itest        ! Input desired test current
170 OUTPUT 716;"B";Itest;"",0,1000X"       ! Program 236 test current
180 INPUT "Enter sample thickness (cm)",Ts  ! Input sample thickness
190 PRINT "Close lid, press CONT to begin"
200 PAUSE
210 OUTPUT 716;"R1X"                        ! Arm 236,
220 TRIGGER 716                             ! Trigger 236
230 FOR I=1 TO 8                            ! Loop for all eight measurements
240 READ Cmd$                               ! Read 705 command string
250 OUTPUT 717;Cmd$                         ! Close crosspoints
260 OUTPUT 716;"N1X"                        ! Put 236 in operate
270 WAIT 2                                  ! Wait two seconds for settling
280 ENTER 716;V(I)                          ! Get voltage reading from 236
290 OUTPUT 716;"N000X"                     ! Put 236 in standby,local sense
300 READ Cmd$                               ! Read 705 command string
310 OUTPUT 717;Cmd$                         ! Open crosspoints
320 NEXT I                                  ! Loop back for next reading
330 OUTPUT 716;"N0X"                        ! Put 236 in standby
340 Pa=(1.1331*Ts*(V(2)+V(4)-V(1)-V(3)))/Itest ! Compute Pa
350 Pb=(1.1331*Ts*(V(6)+V(8)-V(5)-V(7)))/Itest ! Compute Pb
360 PRINT "Pa=";Pa                          ! Display Pa
370 PRINT "Pb=";Pb                          ! Display Pb
380 PRINT "Device average resistivity=";(Pa+Pb)/2 ! Display resistivity

```

## SECTION 7

### Adding Switching Capabilities to a Source Measure Unit Test System

```
390  REM DATA STATEMENTS CONTAINING 705 COMMAND STRINGS
400  DATA "C01:2C02:1C03:3C04:4X"
410  DATA "N01:2N02:1N03:3N04:4X"
420  DATA "C02:2C01:1C03:3C04:4X"
430  DATA "N02:2N01:1N03:3N04:4X"
440  DATA "C02:2C01:3C04:4C04:1X"
450  DATA "N02:2N01:3N04:4N04:1X"
460  DATA "C02:3C01:2C03:4C04:1X"
470  DATA "N02:3N01:2N03:4N04:1X"
480  DATA "C02:3C01:4C03:1C04:2X"
490  DATA "N02:3N01:4N03:1N04:2X"
500  DATA "C02:4C01:3C03:1C04:2X"
510  DATA "N02:4N01:3N03:1N04:2X"
520  DATA "C02:4C01:1C03:2C04:3X"
530  DATA "N02:4N01:1N03:2N04:3X"
540  DATA "C02:1C01:4C03:2C04:3X"
550  DATA "N02:1N01:4N03:2N04:3X"
560  END
```

## 7.4 SOURCE MEASURE UNIT MATRIX SWITCHING SYSTEM

The small matrix switching system discussed in the last paragraph has adequate capabilities for many applications. However, many applications call for a larger switching matrix. In the following paragraphs, we will discuss using Source Measure Units with a Model 7072 Semiconductor Matrix Card and a Model 707.

### 7.4.1 System Configuration

Figure 7-10 shows a typical configuration for the Source Measure Unit/matrix switching system. In addition to two Source Measure Units, the system also includes a Model 590 CV Analyzer, which can perform CV (capacitance-voltage) tests on semiconductors at 100kHz or 1MHz. Resulting CV curves can yield important information about semiconductors such as doping profile and depletion depth.

#### NOTE

Only Model 236 Units #1 and #2 are used for the applications example in this section in order to keep the program as simple as possible.

Switching for the system is performed by a Model 7072 Semiconductor Matrix Card installed within a Model 707 Switching Matrix. Each card is organized as an 8 × 12 matrix as shown.

The system can easily be expanded by adding more matrix cards in the mainframe. A total of six matrix cards can be installed in one mainframe, with easy internal row expansion (adding more columns to the matrix). For example, six cards would result in an 8 × 72 matrix, yielding 72-pin test capability with only one mainframe.

The test fixture used in this system is a Model 8007 Semiconductor Test Fixture, although a Model 8006 Test Fixture could be used as well. The Model 8007 is intended primarily for use with the Model 7072 card, and it includes 24-pin and 48-pin DIP sockets. The unit has 72-pin test capabilities, allowing it to support up to six Model 7072 cards.

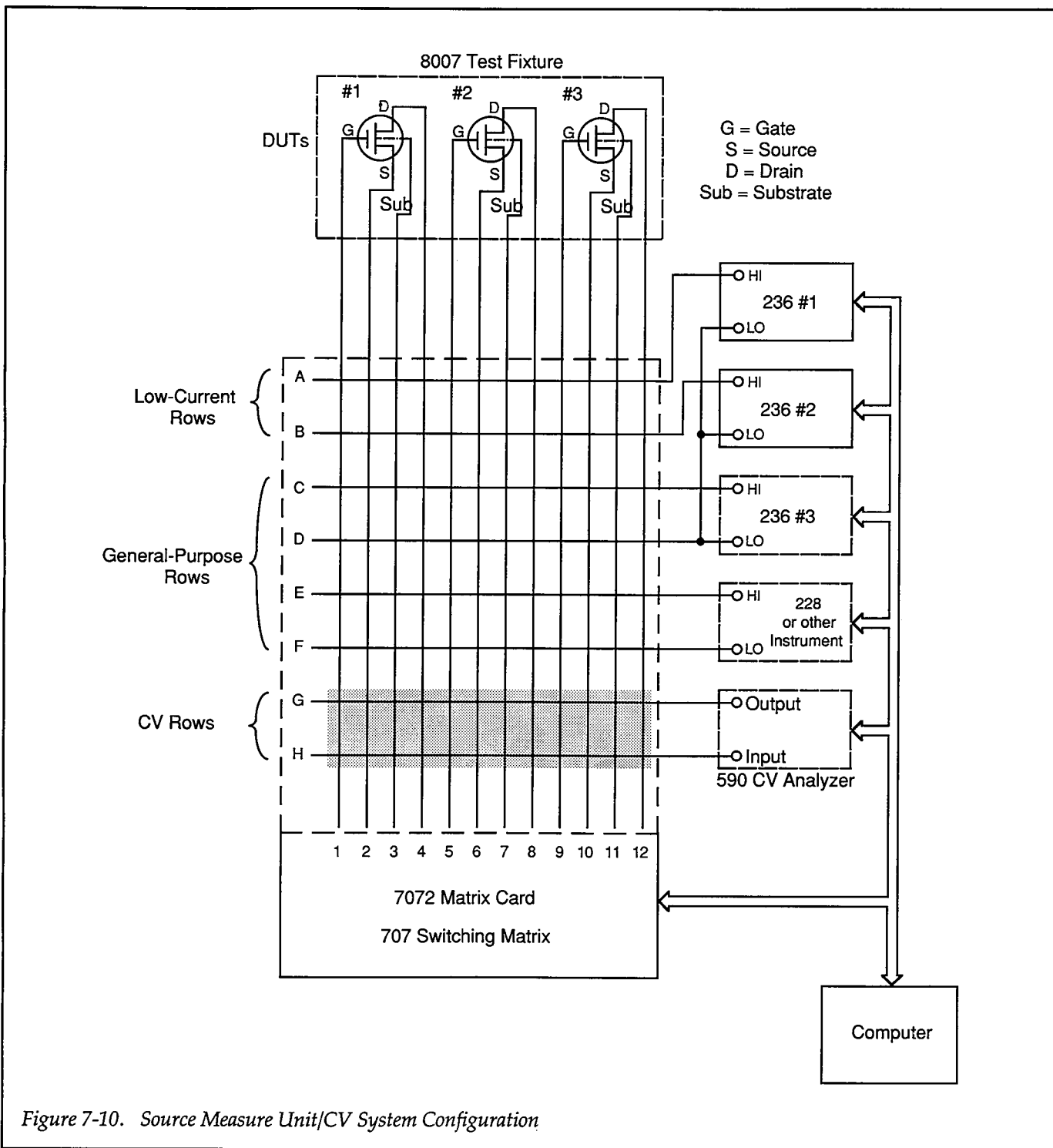


Figure 7-10. Source Measure Unit/CV System Configuration

### 7.4.2 Test Connections

Figure 7-11 details the test connections for the example in this paragraph. Note that local sensing is used for both Source Measure Units. The Source Measure Units are connected to the matrix card using Model 7078-TRX triax cables and insulated wire (LO to LO). Note that adapters must be used to connect the triax cable to the OUTPUT LO banana jack of Unit #2, as shown in Figure 7-12.


If suitable adapters are available, you could use banana plug patch cords for LO instead of triax cables.

The Model 8007 test fixture is connected to the matrix card using the Model 8007-MTC-3 Mass-Terminated Cable Assembly. A Model 8006 can be used instead; connections to Model 8006 triax connectors can be made using Model 7078-TRX triax cables.

### 7.4.3 Test Configuration

Figure 7-13 shows the test configuration for example Program 22 included in this paragraph. The test to be performed is a  $g_{fs}$  vs.  $V_{GS}$  test on three FET devices. Unit #1 sweeps  $V_{GS}$ , and Unit #2 sources  $V_{DS}$  and measures  $I_D$ . Note that the Model 590 CV Analyzer and Source Measure Unit #3 shown in Figure 7-11 are not used in this example in order to keep the program as simple as possible.

Refer to Section 4 for a complete description of how transconductance is computed.

**WARNING**  
 Connect interlock circuits before use. Connect the fixture  screw to safety earth ground using #18 AWG minimum wire before use. Turn off all power before connecting or disconnecting wires or cables.

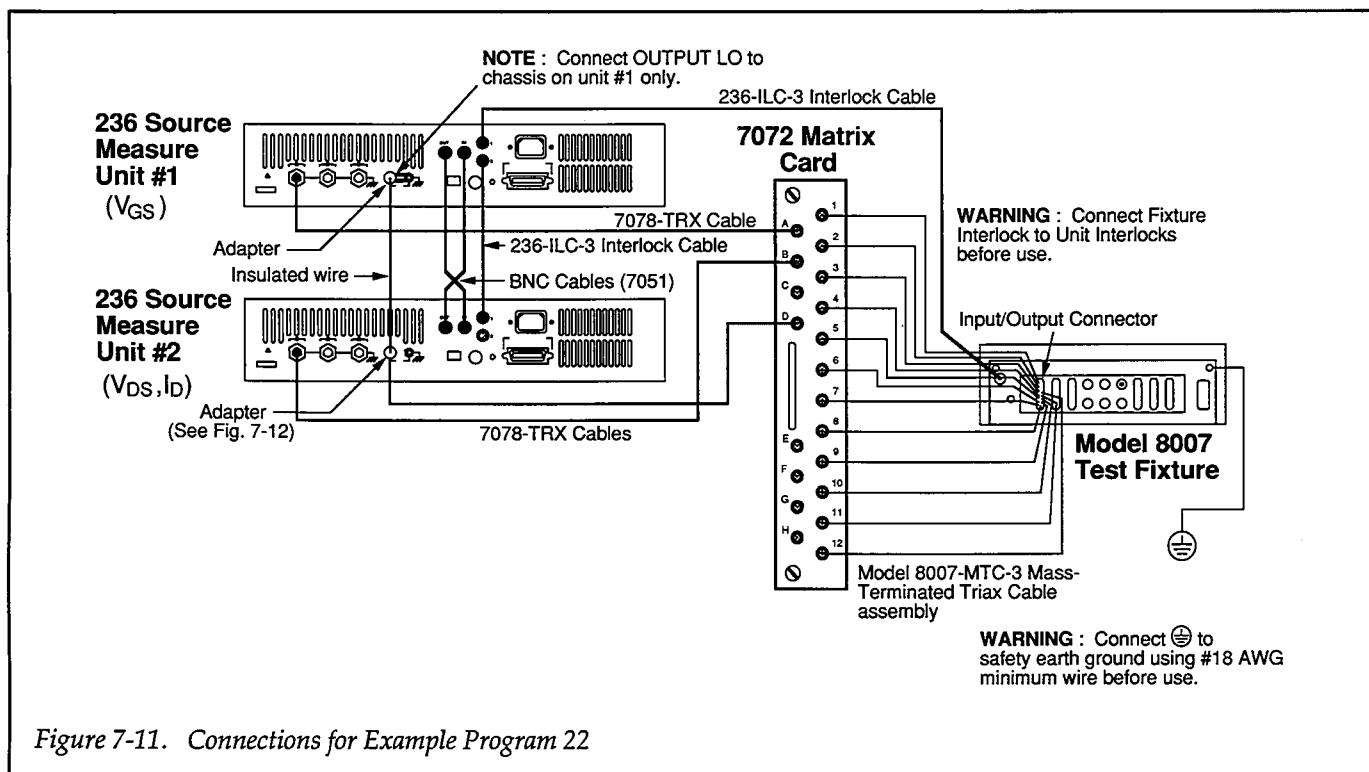


Figure 7-11. Connections for Example Program 22



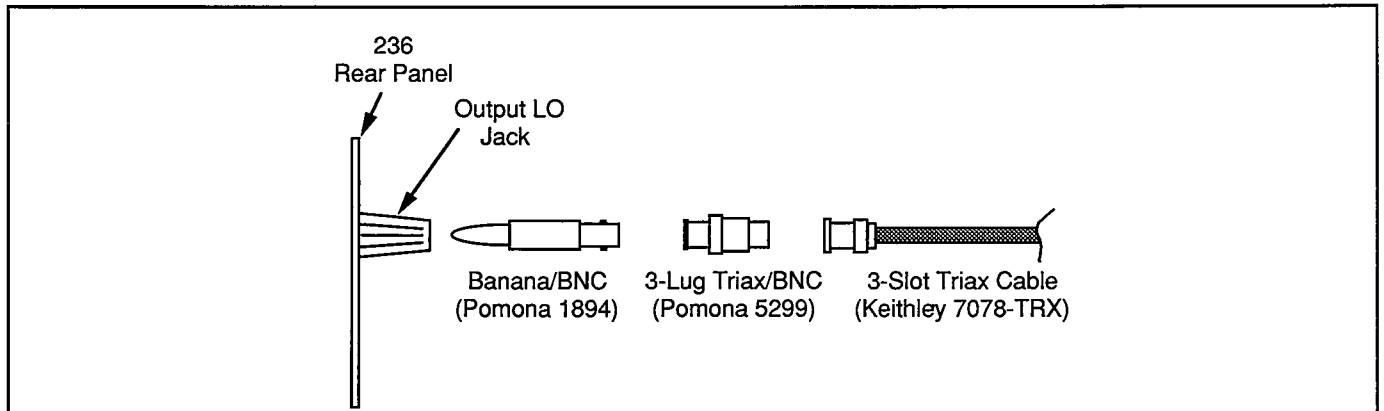


Figure 7-12. Connecting Triax Cables for OUTPUT LO Using Adapters

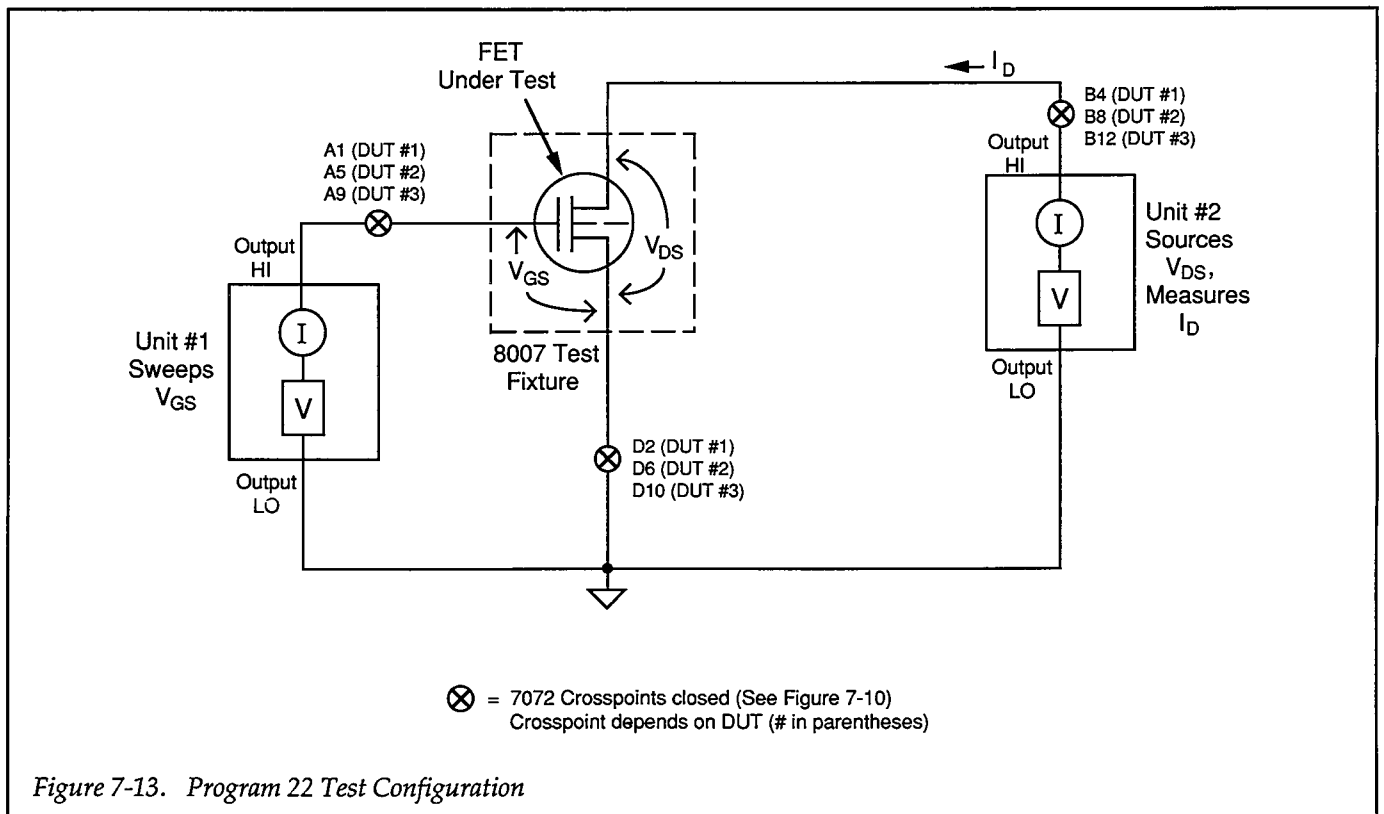


Figure 7-13. Program 22 Test Configuration

## 7.4.4 Measurement Considerations

Note that not all rows in the Model 7072 have the same capabilities: rows A and B are low-current rows (<1pA offset), rows C-F are general-purpose rows (<20pA offset), and rows G and H are designated as CV rows.

Similarly, not all rows have the same path isolation specifications. Rows A and B have the highest path isolation (>10<sup>13</sup>Ω), while rows C through H have a path isolation that is an order of magnitude lower (>10<sup>12</sup>Ω).

## 7.4.5 Example Program 22: Transconductance Test Using Switching Matrix

Use Program 22 below to generate a typical  $g_{fs}$  vs.  $V_{GS}$  plot for one of three FET devices as controlled by the switching matrix.

1. With the power off, connect both Source Measure Units and the switching mainframe to the IEEE-488 bus of the computer. Also install the Model 7072 card in slot 1 of the switching matrix.
2. Connect the units and the test fixture to the matrix card using suitable triax cables (see Figure 7-11 and Figure 7-13 for details on test connections and system configuration).
3. Turn on both Source Measure Units, and allow them to warm up for at least two hours for rated accuracy. Verify that the primary address of Unit #1 is set to 16 and that the primary address of Unit #2 is set to 17. Also turn on the Model 707 and verify that its primary address is set to 18.
4. Turn on the computer, then boot up BASIC.
5. Enter the lines from Program 22 below into the computer.
6. Place the device to be tested in the desired test fixture socket, then close the test fixture lid (the device should have characteristics similar to the 2N4392 used for other examples in this section).
7. RUN the program in the usual fashion, then choose the device to test when prompted to do so (1-3).
8. Continue the program to test all three devices. For the selected DUT, the program will step through  $V_{GS}$  values between -2V and 0V using 0.1V steps. At each increment,  $I_D$  will be measured using a fixed 10V  $V_{DS}$  value. Once data are collected, a plot of  $g_{fs}$  vs.  $V_{GS}$  for the selected device will be displayed on the computer CRT. To test the remaining two devices, rerun the program.
9. To return to BASIC from the graph of the DUT, press CONT.

## 7.4.6 Typical Program 22 Results

Figure 7-14 shows a typical  $g_{fs}$  vs.  $V_{GS}$  plot as generated by the example program.

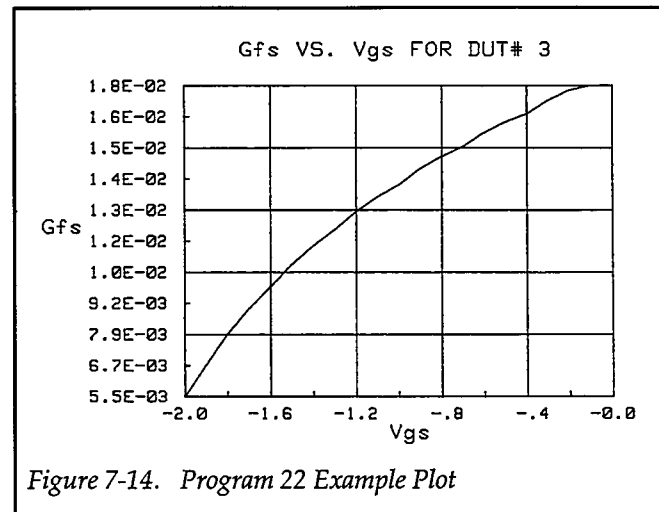


Figure 7-14. Program 22 Example Plot

## 7.4.7 Program 22 Description

Refer to the program listing below and the flowchart in Figure 7-15 for the following description of Program 22.

Initially, the data arrays are defined (lines 30-50) to hold 20 or 21 reading points. Note that two arrays are used in this program. The reading array will hold data obtained from the test instruments, while the plot array will hold computed  $g_{fs}$  and  $V_{GS}$  values to be plotted. Next, the command string is dimensioned (line 60).

After the instruments are returned to default conditions (line 70), Unit #1, which sweeps  $V_{GS}$ , is programmed as follows (lines 100-210):

- Source V, sweep mode
- 1mA compliance, 1mA range
- Local sense
- Source only data format, no prefix, sweep data output
- External trigger, one trigger per step, output trigger on end of measurement
- SRQ on sweep done
- Start  $V_{GS}$  voltage: -2V
- Stop  $V_{GS}$  voltage: 0V
- Step  $V_{GS}$  voltage: 0.1V
- Delay: 100msec
- Staircase sweep

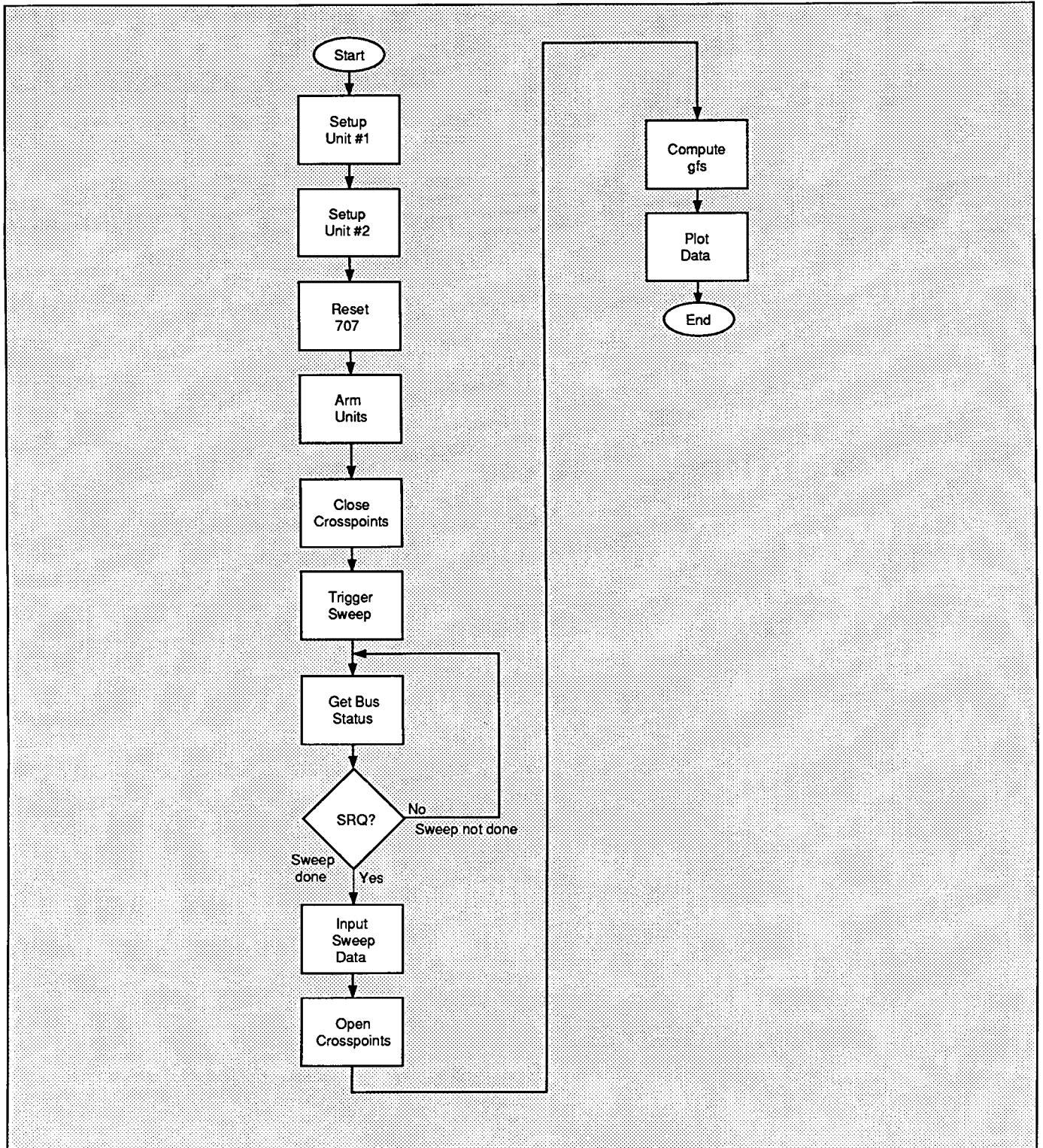


Figure 7-15. Program 22 Flowchart

Unit #2, which sources  $V_{DS}$  and measures  $I_D$ , is then configured in the following manner (lines 220-320):

- Source V, sweep mode
- Local sense
- 100mA compliance, autorange measure
- Measure only data format, no prefix, sweep data output
- External trigger, trigger source, output trigger on end of measurement
- Line cycle integration
- Constant sweep, 10V constant  $V_{DS}$  value, 21 points

Finally, the Model 707 is placed into remote and reset to ensure that all crosspoints are open (lines 340 and 350), and the DUT to be tested is selected (lines 360-440).

After operator signal (lines 450 and 460), both Source Measure Units are armed and placed into operate (lines 470-480), and the Model 707 is programmed to close the desired crosspoints (line 500). After a one-second delay for settling (line 510), Unit #2 is then triggered to start the sweep by using the immediate trigger command (line 520). Once Unit #2 is triggered, it sets  $V_{DS}$  to the programmed value, and it then triggers Unit #1 (using external triggering). Unit #1 then sets  $V_{GS}$  to the present value in its sweep list. Following the prescribed delay period, Unit #2 measures  $I_D$  and then goes on to the next point in

the sweep. The process repeats until all points in the sweep have been taken.

While the sweep is being performed, the program waits in a loop for Unit #2 to generate an SRQ on sweep done (lines 530 and 540). Once the SRQ occurs, the data are read into the reading array (lines 560-590), and the Model 707 is programmed to open the presently-closed crosspoints (line 600). The Source Measure Units are then placed into standby (lines 610-620).

Next, we encounter the part of the program where the transconductance values are calculated (lines 670-720). First, the  $V_{GS}$  values are simply transferred from the (I,1) elements of the reading array to the (I,1) elements of the plot array (line 680). Next,  $\Delta V_{GS}$  values are computed by subtracting the (I,1) values from the (I+1,1) values (line 690), and  $\Delta I_D$  values are similarly computed by subtracting (I,2) values from (I+1,2) values (line 700). Finally, each transconductance value is computed from  $\Delta I_D$  and  $\Delta V_{GS}$  and stored in the corresponding element of the plot array (line 710).

The maximum and minimum transconductance values are then determined for Y axis scaling (lines 750-780), and the data are plotted with  $g_{fs}$  along the Y axis and  $V_{GS}$  along the X axis (lines 800-1110).

```

10  REM TRANSCONDUCTANCE-GATE VOLTAGE TEST PROGRAM REV. 1.3 (Program 22)
20  REM INCLUDES CONTROL OF 707 SWITCHING MATRIX
30  OPTION BASE 1                                ! First array subscript is 1
40  DIM Reading(21,2)                            ! Dimension reading array (21 pts)
50  DIM Plot_array(20,2)                        ! Dimension plot array (20 pts)
60  DIM Cmd$(25)                                ! Dimension command string
70  CLEAR 7                                     ! Clear both Units
80  OUTPUT KBD;CHR$(255);CHR$(75);             ! Clear screen
90  REM ***** Unit 1 setup (sweeps Vgs) *****
100 REMOTE 716                                  ! Put Unit 1 in remote
110 OUTPUT 716;"F0,1X"                          ! Source V, sweep mode
120 OUTPUT 716;"L1E-3,7X"                       ! 1mA compliance, 1mA range
130 OUTPUT 716;"00X"                             ! Local sense
140 OUTPUT 716;"G1,2,1"                         ! Output source,no prefix,sweep data
150 OUTPUT 716;"T3,1,4,0X"                      ! External trigger,out trig end of measure
160 OUTPUT 716;"M2,X"                           ! SRQ on sweep done
165 OUTPUT 716;"B0,0,0X"                        ! Program 0 bias value
170 Vgstart=-2.0                                ! Define -2V start Vgs voltage
180 Vgstop=0                                    ! Define 0V stop Vgs voltage
190 Vgstep=.1                                  ! Define 0.1V step Vgs voltage
200 Dly=100                                    ! Define 100msec Unit delay
210 OUTPUT 716;"Q1,";Vgstart;",";Vgstop;"",";Vgstep;"",0,";Dly;"X" ! Pgm swp
220 REM ***** Unit 2 setup (sources Vds, measures Id) *****
230 REMOTE 717                                  ! Put Unit 2 in remote
240 OUTPUT 717;"F0,1X"                          ! Source V, sweep mode
250 OUTPUT 717;"00X"                             ! Local sensing
260 OUTPUT 717;"L100E-3,0X"                     ! 100mA compliance,autorange measure
270 OUTPUT 717;"G4,2,1X"                        ! Measure,no prefix,sweep data
280 OUTPUT 717;"T3,1,4,0X"                      ! Trig ext,start source,out end of meas
290 OUTPUT 717;"S2Z0X"                          ! Line cycle integration,suppress off
295 OUTPUT 717;"B0,0,0X"                        ! Program 0 bias value
300 Dly=100
310 Vds=10                                     ! Define 10V Vds
320 OUTPUT 717;"Q0,";Vds;"",0,";Dly;"",21X" ! Constant sweep,21 points
330 REM ***** 707 setup (switches DUTs) *****
340 REMOTE 718                                  ! Put 707 in remote
350 OUTPUT 718;"R0X"                            ! Reset 707
360 INPUT "Select DUT to test (1-3)",Dut ! Select DUT to test
370 SELECT Dut
380 CASE 1
390 Cmd$="A1,B4,D2"
400 CASE 2
410 Cmd$="A5,B8,D6"
420 CASE 3
430 Cmd$="A9,B12,D10"
440 END SELECT
450 PRINT "Close lid, press CONT to begin test"
460 PAUSE
470 OUTPUT 716;"R1N1X"                          ! Arm Unit 1 trigger,turn on output
480 OUTPUT 717;"R1N1X"                          ! Arm Unit 2 trigger,turn on output
490 PRINT "Generating sweep..."
500 OUTPUT 718;"C";Cmd$;"X"                    ! Close crosspoints

```

**SECTION 7**  
**Adding Switching Capabilities to a**  
**Source Measure Unit Test System**

```

510 WAIT 1 ! Wait one second for settling
520 OUTPUT 716;"H0X" ! Trigger Unit 1 to start sweep
530 STATUS 7,7;Stat ! Get IEEE-488 bus status
540 IF NOT BIT(Stat,10) THEN 530 ! Wait for SRQ on sweep done
550 Stat=SPOLL(716) ! Serial poll Unit 1 to clear SRQ
560 FOR I=1 TO 21 ! Loop for all 21 readings
570 ENTER 716;Reading(I,1) ! Get Vgs data from Unit 1
580 ENTER 717;Reading(I,2) ! Get Id data from Unit 2
590 NEXT I ! Loop back for next data point
600 OUTPUT 718;"N";Cmd$;"X" ! Open crosspoints
610 OUTPUT 716;"N0X" ! Turn off Unit 1 output
620 OUTPUT 717;"N0X" ! Turn off Unit 2 output
630 PRINT "Press CONT to display graph of selected DUT"
640 PRINT "Press CONT while in graph to return to BASIC"
650 PAUSE
660 REM COMPUTE TRANSCONDUCTANCE AND STORE IN PLOT ARRAY
670 FOR I=1 TO 20 ! Loop for all gfs points
680 Plot_array(I,1)=Reading(I,1) ! Store Vgs in plot array
690 Delta_vgs=ABS(Reading(I+1,1)-Reading(I,1)) ! Compute delta Vgs
700 Delta_id=ABS(Reading(I+1,2)-Reading(I,2)) ! Compute delta Id
710 Plot_array(I,2)=Delta_id/Delta_vgs ! Compute gfs
720 NEXT I ! Loop back for next point
730 Ymin=MAXREAL ! Find minimum and maximum gfs value
740 Ymax=-MAXREAL
750 FOR I=1 TO 20
760 IF Plot_array(I,2)<Ymin THEN Ymin=Plot_array(I,2)
770 IF Plot_array(I,2)>Ymax THEN Ymax=Plot_array(I,2)
780 NEXT I
790 OUTPUT KBD;CHR$(255);CHR$(75); ! Clear screen
800 GINIT ! Initialize graphics
810 PLOTTER IS CRT,"INTERNAL" ! Define plot to CRT
820 GRAPHICS ON ! Turn on graphics
830 MOVE 40,90 ! Title graph
840 LABEL "Gfs VS. Vgs FOR DUT#";Dut
850 MOVE 70,10 ! Label X axis
860 LABEL "Vgs"
870 MOVE 0,53 ! Label Y axis
880 LABEL "Gfs"
890 VIEWPORT 30,120,20,85 ! Define soft clip limits
900 WINDOW Vgstart,Vgstop,Ymin,Ymax ! Scale graph
910 Y1=(Ymax-Ymin)/10 ! Compute Y axis increment
920 X1=(Vgstop-Vgstart)/10 ! Compute X axis increment
930 GRID 2*X1,2*Y1,Vgstart,Ymin ! Draw grid
940 AXES X1,Y1,Vgstart,Ymin ! Add some tick marks
950 FOR I=1 TO 20 ! Plot data
960 PLOT Plot_array(I,1),Plot_array(I,2) ! Plot point
970 NEXT I
980 CSIZE 4 ! Define character size
990 LORG 6 ! Center characters
1000 CLIP OFF ! Turn off soft clipping

```

```
1010 FOR I=Vgstart TO Vgstop+.01*X1 STEP 2*X1 ! Number X axis
1020 MOVE I,Ymin-(Y1/4)
1030 LABEL USING "#,MD.D";I
1040 NEXT I
1050 FOR I=Ymin TO Ymax+.01*Y1 STEP Y1 ! Number Y axis
1060 MOVE Vgstart-(1.3*X1),I+(.3*Y1)
1070 LABEL USING "#,D.DE";I
1080 NEXT I
1090 PAUSE
1100 OUTPUT KBD;CHR$(255);CHR$(75); ! Clear alpha screen
1110 GRAPHICS OFF ! Clear graphics screen
1120 END
```

# SECTION 8

## Optimizing Measurement Speed

---

### 8.1 INTRODUCTION

Often, the speed of a measurement is of primary importance, especially where a large number of points or sweeps are involved. There are a number of factors which can affect the overall speed of any tests you make using a Source Measure Unit test system. In the following paragraphs, we will discuss the most important speed-related factors and give several example programs that demonstrate programming techniques for optimizing measurement speed.

### 8.2 FACTORS AFFECTING MEASUREMENT SPEED

The most important factors that will have an effect on overall speed are: integration rate, points per sweep, filtering, delay period, autoranging, and data format. Each of these factors is briefly discussed below.

#### 8.2.1 Integration Rate

For fastest measurements, choose the S0 rate, which will result in the shortest integration period. Note, however, that resolution will be 4-1/2 digits, and noise will increase in comparison to the longer integration periods.

#### 8.2.2 Points Per Sweep

The number of points per sweep will affect both the actual measurement time, as well as length of time it takes to process and transmit the sweep data over the IEEE-488 bus. For maximum throughput, program the unit for as few points per sweep as possible, while still fulfilling the test requirements.

#### 8.2.3 Filtering

Adding filtering with the P command will increase measurement time because of the increased number of conversions averaged per reading. Some compromise between the amount of tolerable noise and measurement speed

may be in order. If filtering is required to minimize noise, choose the minimum number of averaged conversions possible.

#### 8.2.4 Delay Period

The programmed delay period between source and measurement will also affect the measurement speed. Note, however, that the delay period must be sufficiently long for the test circuit to settle, or inaccurate measurements will result. One way to determine the optimum delay period is to gradually decrease the delay from some arbitrarily-long value until a change in measurement values is noted. Increase the delay slightly from this point until the change is no longer present.

#### 8.2.5 Autoranging

Autoranging will slow down a sweep in many cases because of the finite time period it takes for the instrument to change ranges during a sweep. For that reason, you should choose an appropriate manual range for both source and measure if measurement speed is of primary importance. Obviously, you must select a range that is high enough to handle the largest value to be sourced or measured. Also, some degradation in accuracy and resolution may occur when manual ranging is used.

#### 8.2.6 Data Format

The data format affects the speed of data transfer over the IEEE-488 bus. The binary data format results in faster transmission than the ASCII data format because fewer bytes must be transmitted, and because less data processing is on the part of the instrument is required. For that reason, you should use the binary data format whenever possible if speed is of primary importance.

Figure 8-1 shows the HP binary data format used by the Model 236/237. The initial two bytes contain the count of the total bytes being sent, not including terminators. The repeated structure includes bytes for source, delay, measure, and time stamp values. Note that the data format should be programmed to eliminate those bytes not re-



quired for your particular application. In the example programs in this section, for example, only source and measure are required, so the instrument is programmed not to send delay and time values.

With the applications programs in this section, these binary values are placed into specific BASIC variables.

These variables are also shown in Figure 8-1. Finally, note that the terminator bytes should be suppressed when using the binary data format by using the Y4 command. The controller should normally be programmed to terminate the input using some other method such as END or possibly by using the byte count information.

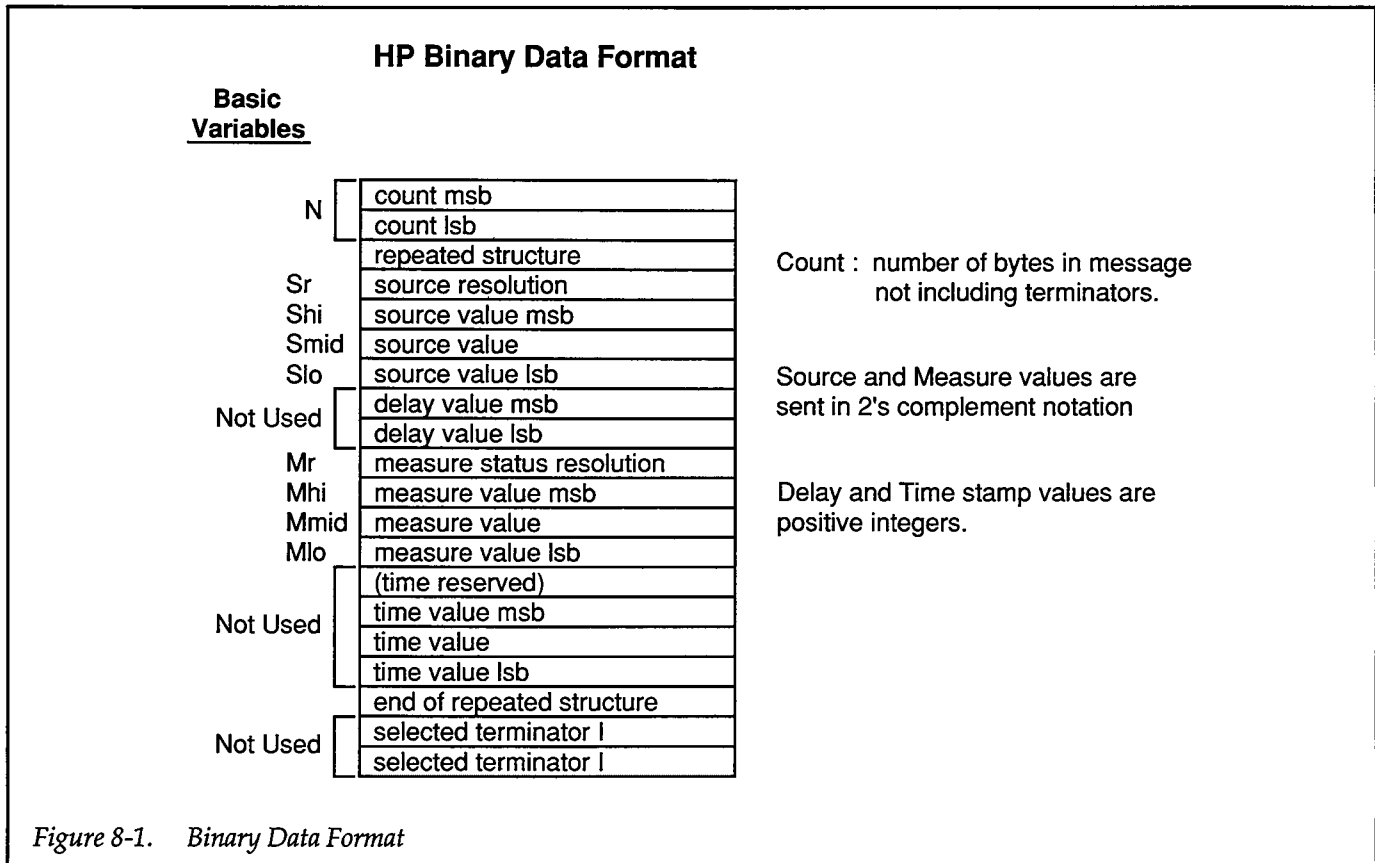
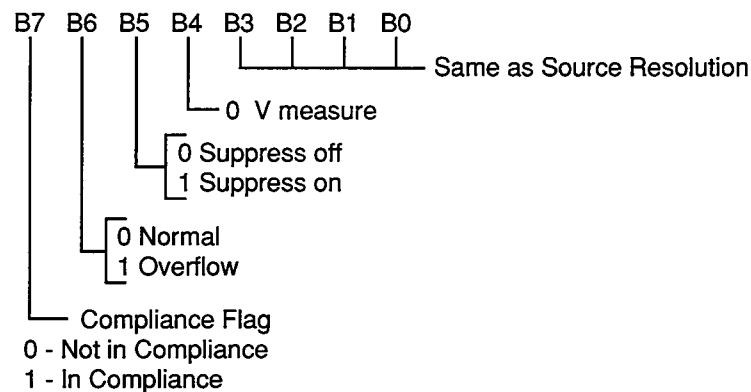


Figure 8-1. Binary Data Format

**Source Resolution**

Resolution ID	V source	I Source
0	10uv	10fa
1	100uv	100fa
2	1mv	1pa
3	10mv	10 pa
4	100mv	100 pa
5	(invalid)	1na
6	(invalid)	10na
7	(invalid)	100na
8	(invalid)	1ua
9	(invalid)	10ua

**Measurement Status and Resolution**



Binary Data Format (Cont.)

**8.2.7 Controller Speed Considerations**

The controller speed will affect key areas of overall test performance such as the data transfer itself or any number-crunching operations required. The HP controllers used for these applications examples use either DMA or fast-handshake transfer methods (when using TRANSFER), which should result in a substantial improvement in speed. However, because of the use of the interpretive BASIC language, the full speed increase potential may not be realized because of the relatively inefficient binary-to-decimal conversion process. However, those with compiled languages such as compiled BASIC or C should be able to take full advantage of increase in speed due to binary transfer.

**8.3 DIODE TEST USING BINARY DATA FORMAT**

Program 23 below demonstrates the basic techniques for using binary data transfer. This program is essentially the same as the diode test program (Program 3) presented in paragraph 2.6, with modifications to perform binary data transfer.

**8.3.1 Test Configuration**

Figure 8-2 shows the test configuration for the diode characterization test. The Model 236 is used to source the forward current,  $I_F$ , through the diode under test, and it also measures the forward voltage,  $V_F$ , across the device.

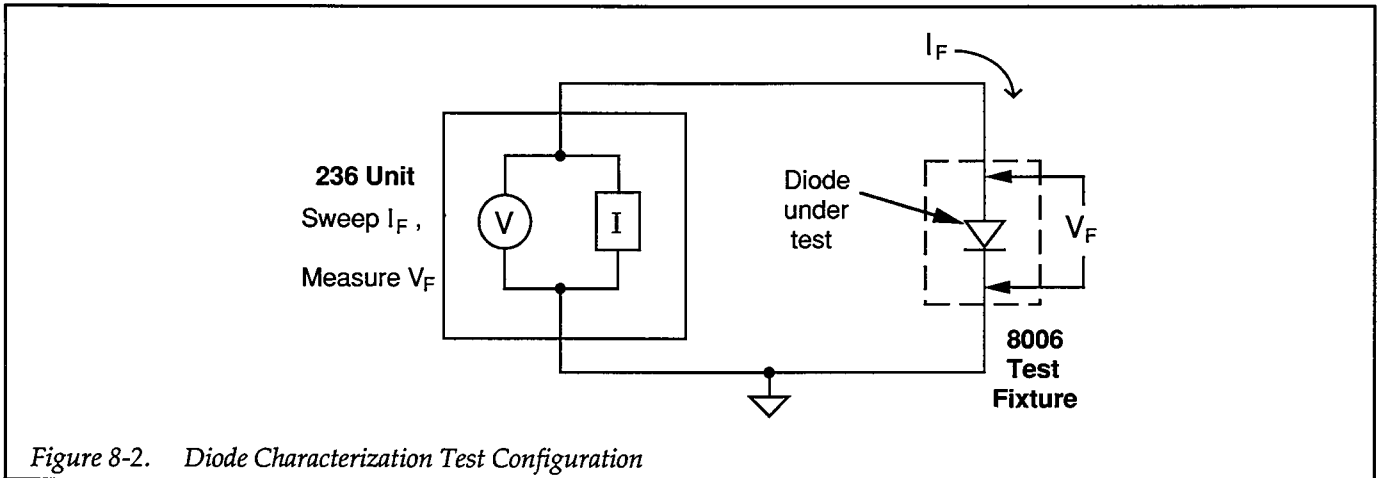


Figure 8-2. Diode Characterization Test Configuration

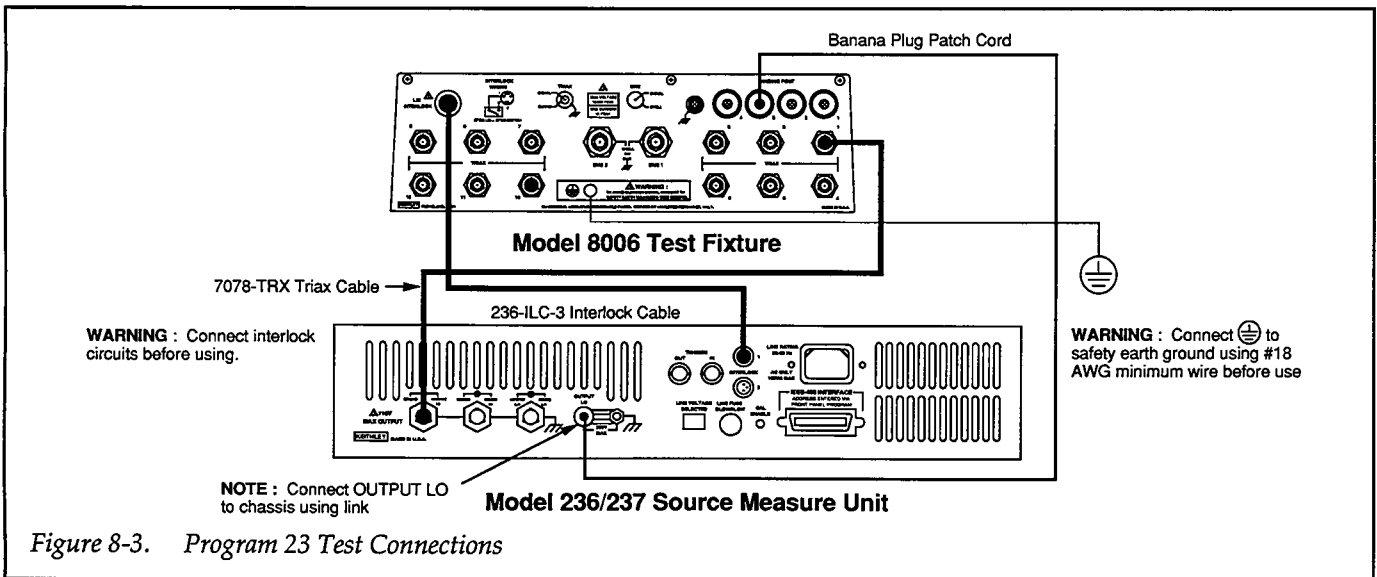


Figure 8-3. Program 23 Test Connections

$I_F$  is swept across the desired range of values, and  $V_F$  is measured at each current.

### 8.3.2 Test Connections

Figure 8-3 shows test connections for Program 23.

**WARNING**  
Connect interlock circuits before use. Connect the fixture  $\oplus$  screw to safety earth ground using #18 AWG minimum wire before use. Turn off all power before connecting or disconnecting wires or cables.

### 8.3.3 Example Program 23: Diode Characterization Using Binary Transfer

Program 23 below demonstrates the basic programming techniques for running the diode characterization test with binary transfer.

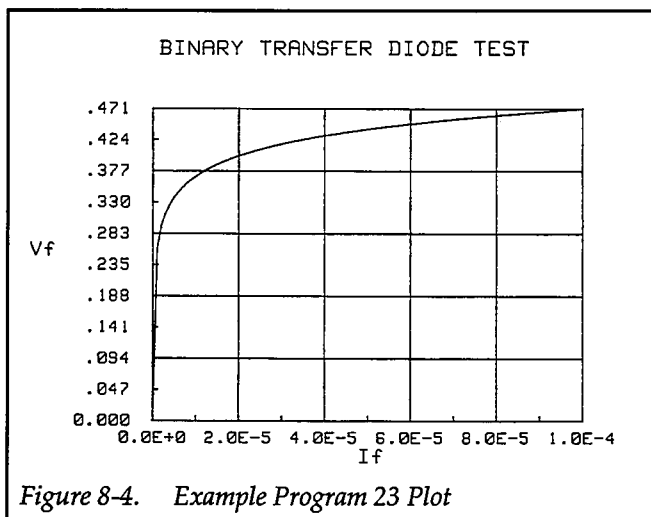
Follow the steps below to use this program.

1. With the power off, connect the Model 236 to the IEEE-488 interface of the computer.
2. Connect the test fixture to the Source Measure Unit using appropriate cables (see Figure 8-33).
3. Turn on the Model 236, and allow the unit to warm up for two hours for rated accuracy. Make sure the primary address of the unit is set to 16.

4. Turn on the computer, and boot up BASIC.
5. Enter the lines below into the computer.
6. Install a small-signal silicon diode such as a 1N914 or 1N4148 in the appropriate axial socket of the test fixture. Be certain that the jumpers are properly installed, then close the test fixture lid.
7. RUN the program in the usual manner. Enter the desired delay period when prompted to do so. Keep in mind that the delay period should be long enough to allow the device to settle properly before each measurement.
8. The computer will program the unit and run the diode test using currents between  $0\mu\text{A}$  and  $100\mu\text{A}$  in  $1\mu\text{A}$  increments.
9. Once the sweep has been completed, you will be prompted to press CONT to generate a plot of the data. A simple  $V_F$  vs.  $I_F$  plot will then be displayed on the computer CRT.
10. To return to BASIC from the graph, press CONT.

### 8.3.4 Typical Program 23 Results

Figure 8-4 shows typical results obtained using example Program 3. These results are for a 1N4148 silicon diode.



### 8.3.5 Program 23 Description

For the following description, refer to the program listing and the flowchart shown in Figure 8-5.

Initially, the OPTION BASE statement is used to declare that all array subscripts begin with 1 rather than 0 (line 20), and the reading array is then dimensioned for 101 points with two readings each (line 30). The I/O path

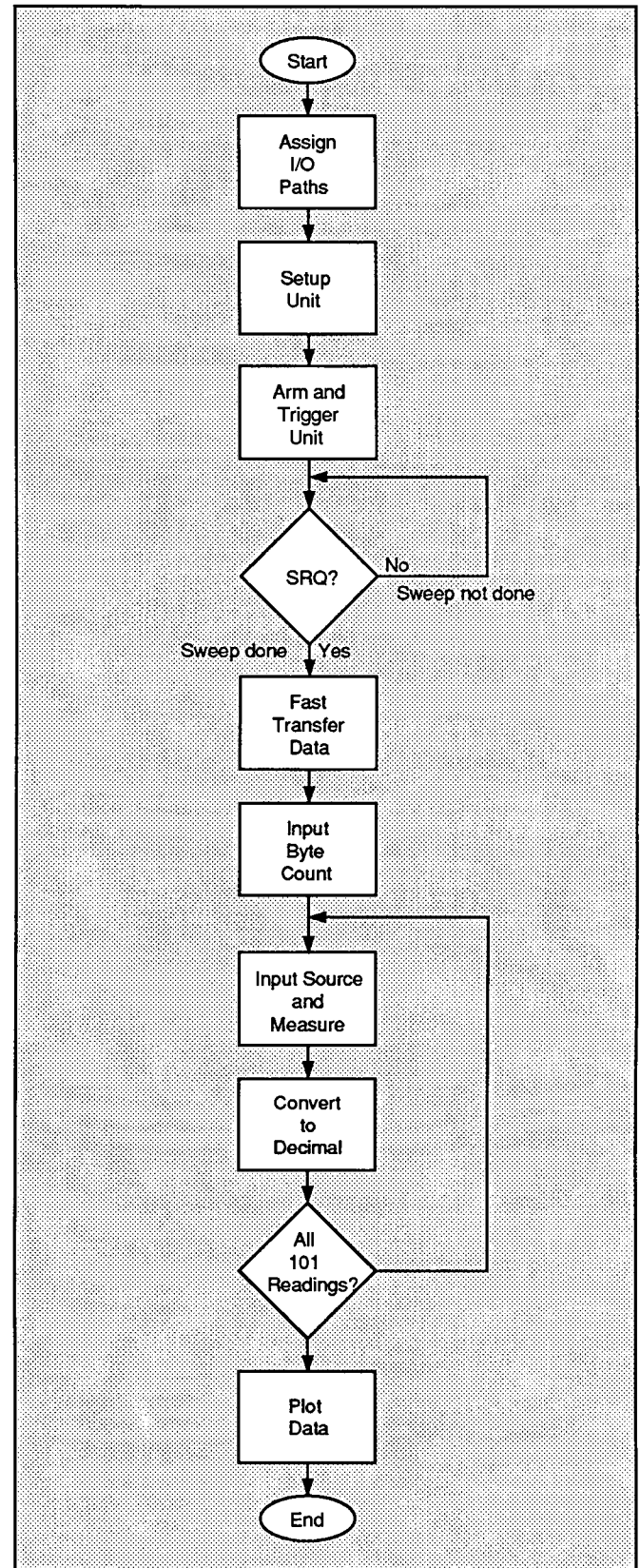


Figure 8-5. Program 23 Flowchart

name is then assigned to address 716 (line 40), and the transfer buffer is declared (line 50). Next, the Source Measure Unit is cleared and placed in remote (lines 60 and 70), and the unit is initialized as follows (lines 90-160):

- Source I, sweep mode
- Local sense, continuous trigger on GET
- 1V compliance, 1.1V range
- Source and measure binary data format, one sweep per talk
- SRQ on sweep done
- Suppress enabled
- Terminator off
- Shortest integration period
- Filter off
- Start current: 0 $\mu$ A
- Stop current: 100 $\mu$ A
- Step current: 1 $\mu$ A

After setup, the operator is prompted to input the desired delay (line 190), and sweep is then programmed using the 100 $\mu$ A source range (line 200). The operator is then prompted to signal the start of the test (lines 210 and 220). Following the operator signal, the trigger is armed (line 230), and the unit is placed into operate and triggered (lines 240 and 250). Following the trigger, the program enters a loop where it repeatedly checks the SRQ line on the bus to determine when the sweep is finished (lines 270 and 280).

When the unit finishes the sweep, it sets the SRQ line true, and the program falls out of the loop. The status byte is then read (line 290) to clear the SRQ, and the unit is placed in standby (line 300).

At this point, high-speed data transfer is performed by using the TRANSFER statement (line 310). Note that we are using the END and WAIT options with the TRANSFER statement. The END option dictates termination on EOI, while the WAIT option suspends program execution until transfer is complete. After statement execution, all bytes of the sweep data reside in the @Buf buffer of the computer.

The first two bytes requested after transfer are the byte count bytes, which are placed into variable N with the aid of the "W" image statement (line 320). Although this program does not use the byte count, the bytes still must be read from the buffer in order to update the buffer point-

ers. In many cases, you may find these bytes useful in determining how many bytes to input from the Source Measure Unit.

Next a loop is entered (line 330) to input and process all data bytes into the proper arrays. First, eight bytes are placed into variables using the appropriate image for byte values (line 340). These variables are defined as follows:

**Sr (Source Resolution):** This variable holds information on the the source resolution.

**Shi (Source High):** This variable contains the most-significant byte of the source value.

**Smid (Source Middle Byte):** This variable corresponds to the middle byte value of the source.

**Slo (Source Low):** This variable holds the least significant byte of the source value.

**Mr (Measure Resolution):** This variable contains the measurement resolution, compliance flag, and overflow information.

**Mhi (Measure High):** This variable includes the most-significant byte of the measure value.

**Mmid (Measure middle value):** This variable holds the middle byte of the measure value.

**Mlo (Measure Low):** This variable contains the least-significant byte of the measure value.

The important part of the binary-to-decimal conversion process is located in lines 340-390. First, the measure and source value high bytes are checked to see if they are negative, by testing bit 7 of the respective high bytes (lines 350 and 360). If either byte is negative, it is sign extended to properly convert negative values. Although there should be no negative values in this application, it is possible that some small negative offset or noise could occur.

Next, the measure resolution byte is masked so that its value represents only the resolution (line 370). The measure data is converted from binary to decimal (line 380), and the source value is converted using the same method (line 390).

After conversion, the source value, which is the forward current, is located in element (I,1) of the reading array,

and the measured voltage is in element (I,2) of the reading array. The minimum and maximum measured voltage values are then found (lines 410-460); these values are

used to scale the Y axis of the plot. Plotting is performed (lines 510-800), with  $V_F$  along the Y axis, and  $I_F$  along the X axis.

**SECTION 8**  
*Optimizing Measurement Speed*

```

10  REM BINARY TRANSFER DIODE CHARACTERIZATION PROGRAM REV. 1.3 (Program 23)
20  OPTION BASE 1                ! First array subscript is 1
30  DIM Reading(101,2)           ! Dimension reading array
40  ASSIGN @D236 TO 716          ! Assign I/O path to 236
50  ASSIGN @Buf TO BUFFER [3000] ! Assign I/O path to BUFFER
60  CLEAR 7                      ! Clear 236
70  REMOTE 716                   ! Put 236 in remote
80  OUTPUT KBD;CHR$(255);CHR$(75); ! Clear screen
90  OUTPUT 716;"F1,1X"           ! Source I, sweep mode
100 OUTPUT 716;"00T1,0,0,0X"    ! Local sense, trigger on GET
110 OUTPUT 716;"L1,1X"          ! 1V compliance, 1.1V range
120 OUTPUT 716;"G5,3,2X"        ! Source,measure,binary data
130 OUTPUT 716;"M2,X"           ! SRQ on sweep done
140 OUTPUT 716;"Z1X"            ! Enable suppress
150 OUTPUT 716;"Y4S0P0X"        ! Terminator off,fast rate,filter off
155 OUTPUT 716;"B0,0,0X"        ! Program 0 bias value
160 Istart=0                     ! Define 0uA start current
170 Istop=1.00E-4               ! Define 100uA stop current
180 Istep=1.0E-6                ! Define 1uA step current
190 INPUT "Enter delay (msec)",Dly ! Input delay value
200 OUTPUT 716;"Q1,";Istart;",";Istop;",";Istep;","0,";Dly;"X" ! Program sweep
210 PRINT "Close lid, press CONT to begin"
220 PAUSE                        ! Wait to continue
230 OUTPUT 716;"R1X"            ! Arm trigger
240 OUTPUT 716;"N1X"           ! Turn on 236 output
250 TRIGGER 716                 ! Trigger 236 to start sweep
260 PRINT "Waiting for sweep to end"
270 STATUS 7,7;Stat             ! Get IEEE-488 bus status
280 IF NOT BIT(Stat,10) THEN 270 ! Wait for SRQ on sweep done
290 Stat=SPOLL(716)             ! Serial poll 236 to clear SRQ
300 OUTPUT 716;"N0X"           ! Turn off 236 output
310 TRANSFER @D236 TO @Buf;END,WAIT ! Transfer from 236 to computer
320 ENTER @Buf USING "%,W";N     ! Input reading count
330 FOR I=1 TO 101              ! Loop for all readings
340 ENTER @Buf USING "%,B,B,B,B,B,B,B,B";Sr,Shi,Smid,Slo,Mr,Mhi,Mmid,Mlo
350 IF BIT(Mhi,7) THEN Mhi=BINEOR(Mhi,-256) ! Sign extend measure high byte
360 IF BIT(Shi,7) THEN Shi=BINEOR(Shi,-256) ! Sign extend source high byte
370 Mr=BINAND(Mr,15)            ! Mask off range bits
380 Reading(I,2)=(65536*Mhi+256*Mmid+Mlo)*1.E-5*10^Mr ! Convert measure
390 Reading(I,1)=(65536*Shi+256*Smid+Slo)*1.E-14*10^Sr ! Convert source
400 NEXT I                      ! Loop back for next reading
410 Ymin=MAXREAL                ! Find minimum and maximum voltage
420 Ymax=-MAXREAL
430 FOR I=1 TO 101
440 IF Reading(I,2)<Ymin THEN Ymin=Reading(I,2)
450 IF Reading(I,2)>Ymax THEN Ymax=Reading(I,2)
460 NEXT I
470 PRINT "Press CONT to display graph"
480 PRINT "Press CONT while in graph to return to BASIC"
490 PAUSE
500 OUTPUT KBD;CHR$(255);CHR$(75); ! Clear CRT

```

```

510  GINIT                                ! Initialize graphics
520  PLOTTER IS CRT,"INTERNAL"            ! Define plot to CRT
530  GRAPHICS ON                          ! Turn on graphics
540  MOVE 30,95                           ! Title graph
550  LABEL "BINARY TRANSFER DIODE TEST"
560  MOVE 70,10                           ! Label X axis
570  LABEL "If"
580  MOVE 0,53                            ! Label Y axis
590  LABEL "Vf"
600  VIEWPORT 30,120,20,85               ! Define soft clip limits
610  WINDOW Istart,Istop,Ymin,Ymax       ! Scale graph
620  X1=(Istop-Istart)/10                 ! Compute X axis increment
630  Y1=(Ymax-Ymin)/10                   ! Compute Y axis increment
640  GRID X1*2,Y1*2,Istart,Ymin          ! Draw grid
650  AXES X1,Y1,Istart,Ymin              ! Add some tick marks
660  PLOT Reading(*)                     ! Plot data
670  CSIZE 4                             ! Define character size
680  LORG 6                               ! Center characters
690  CLIP OFF                            ! Turn off soft clipping
700  FOR I=Istart TO Istop+.01*Istep STEP 2*X1 ! Number X axis
710  MOVE I,Ymin-(Y1/4)
720  LABEL USING "#,D.DESZ";I
730  NEXT I
740  FOR I=Ymin TO Ymax+.01*Y1 STEP Y1   ! Number Y axis
750  MOVE Istart-(1.3*X1),I+(.3*Y1)
760  LABEL USING "#,MDD.DDD";I
770  NEXT I
780  PAUSE
790  OUTPUT KBD;CHR$(255);CHR$(75);      ! Turn off alpha display
800  GRAPHICS OFF                        ! Turn off graphics display
810  END

```



## 8.4 COMMON-EMITTER CHARACTERISTICS USING BINARY DATA TRANSFER


Program 24 shown below is essentially the same program as discussed in Section 3 (Program 4) with modifications necessary to use binary data transfer. The following paragraphs give an overview of this program and how to run it.

### 8.4.1 Test Configuration

Figure 8-6 shows the test configuration for the common-emitter characteristic tests. Unit #1 sweeps  $I_B$  across the desired range, and Unit #2 sweeps  $V_{CE}$  and measures  $I_C$ . Note that an NPN transistor is shown as part of the test configuration. A small-signal NPN transistor with an approximate current gain of 500 (2N5089) is recommended for use with the test program below.

### 8.4.2 Test Connections

Figure 8-7 shows the test connections for Program 24.

**WARNING**  
Connect interlock circuit before use. Connect fixture  screw to safety earth ground

using #18 AWG minimum wire before use. Turn off all power before connecting or disconnecting wires or cables.

### 8.4.3 Measurement Considerations

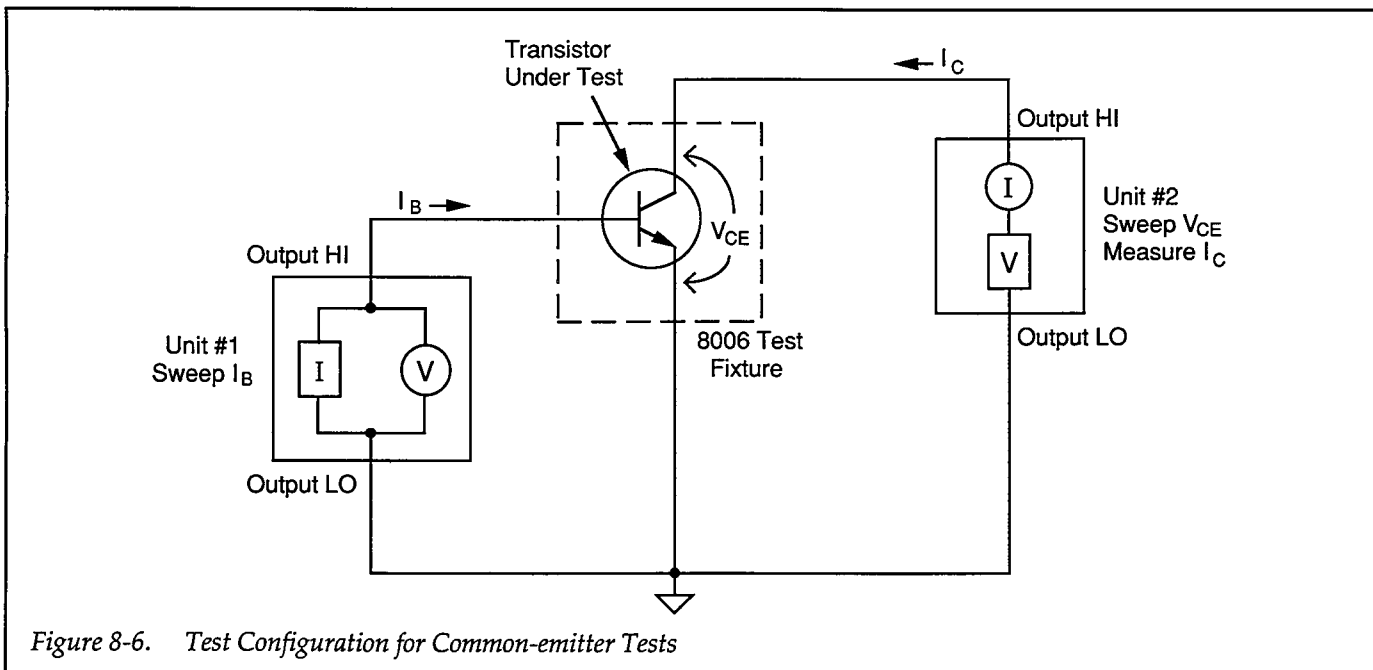
The selected delay period should be sufficiently long to allow the device to completely settle before each measurement. Also, it may be necessary to change the programmed current values to optimize the tests for a particular device.

### 8.4.4 Program 24: Common-emitter Characteristics Using Binary Transfer

Program 24 below can be used to run common-emitter characteristic tests on small-signal NPN transistors using binary transfer to read data.

In order to run the program, follow the steps below.

1. With the power off, connect both Model 236 Source Measure Units to the IEEE-488 interface of the computer.
2. Connect the test fixture to both Source Measure Units using appropriate triax cables (see Figure 8-7).
3. Turn on both Model 236 Source Measure Units, and allow the units to warm up for two hours for rated



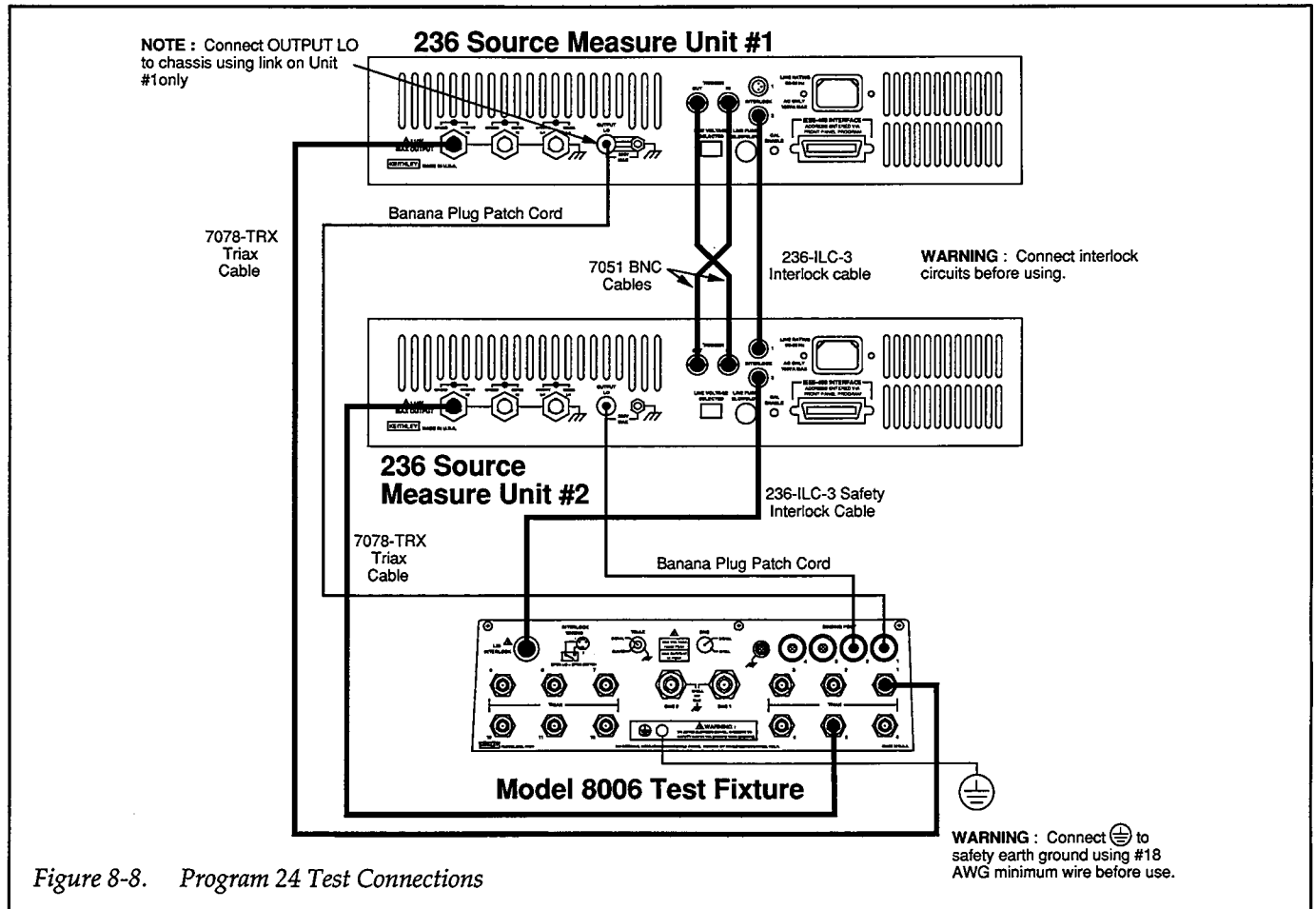


Figure 8-8. Program 24 Test Connections

accuracy. Make sure the primary address of Unit #1 is set to 16 and that the primary address of Unit #2 is set to 17.

4. Turn on the computer, and boot up BASIC.
5. Enter the lines below into the computer.
6. Install a small-signal NPN silicon transistor such as a 2N5089 in the appropriate transistor socket of the test fixture. Be certain that the jumpers are properly installed, then close the test fixture lid.
7. RUN the program in the usual manner, and type in the desired delay period when prompted to do so. The computer will program both Source Measure Units and run the common-emitter characteristic test on the device. The base current will be swept between  $10\mu\text{A}$  and  $50\mu\text{A}$  in  $10\mu\text{A}$  increments, and the value of  $V_{CE}$  will be swept between  $0\text{V}$  and  $10\text{V}$  in  $0.1\text{V}$  increments.
8. Once the sweeps have been completed, you will be prompted to press CONT to generate a plot of the data. A simple  $I_C$  vs.  $V_{CE}$  plot will then be displayed on the computer CRT, with separate curves for each  $I_B$  value.
9. To return to BASIC from the graph, press CONT.

### 8.4.5 Typical Program 24 Results

Figure 8-9 shows typical results generated by example Program 4. A 2N5089 NPN silicon transistor was used to generate these test results.

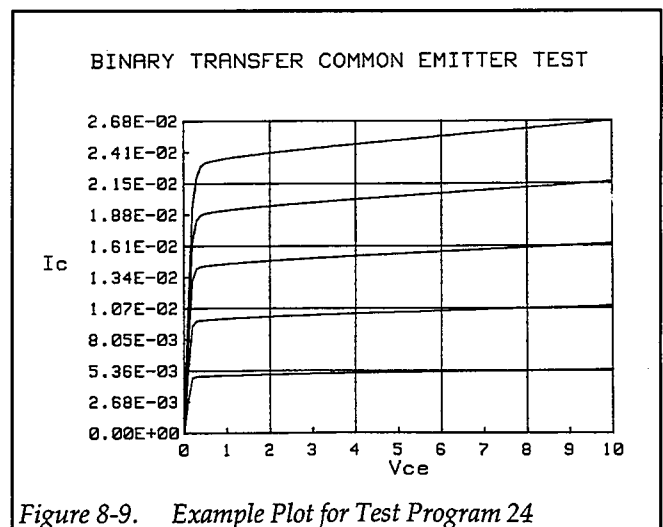


Figure 8-9. Example Plot for Test Program 24

### 8.4.6 Program 24 Description

For the following program description, refer to the program listing below and the flowchart shown in Figure 8-9.

Initially, the reading array is dimensioned (line 30) as a three-element array that will hold five sweeps of 101 points each, with two readings for each point. The I/O path and transfer buffers are then assigned (lines 40 and 50), and, both Source Measure Units are returned to default conditions by a DCL command (line 60). Unit #1, which sweeps  $I_B$ , is set up as follows (lines 90-180):

- Source I, sweep mode
- 1V compliance, 1.1V range
- Local sense
- Trigger on GET, one step per trigger, output trigger at end of delay
- Start  $I_B$  current:  $10\mu\text{A}$
- Stop  $I_B$  current:  $50\mu\text{A}$
- Step  $I_B$  current:  $10\mu\text{A}$
- Delay: user-programmed
- Staircase sweep (limits determined by start, stop, and step current)

Following Unit #1 setup, Unit #2, which sweeps  $V_{CE}$  and measures  $I_C$ , is programmed as follows (lines 200-320):

- Source V, sweep mode
- Local sensing
- 100mA compliance, 100mA range
- Source measure binary data format, complete sweep per talk
- SRQ on sweep done
- Suppress enabled
- Terminator off
- Fastest integration rate
- Filter off
- Trigger on external, one sweep per trigger
- Start  $V_{CE}$  voltage: 0V
- Stop  $V_{CE}$  voltage: 10V
- Step  $V_{CE}$  voltage: 0.1V
- Staircase sweep (limits determined by start, stop, and step voltage)

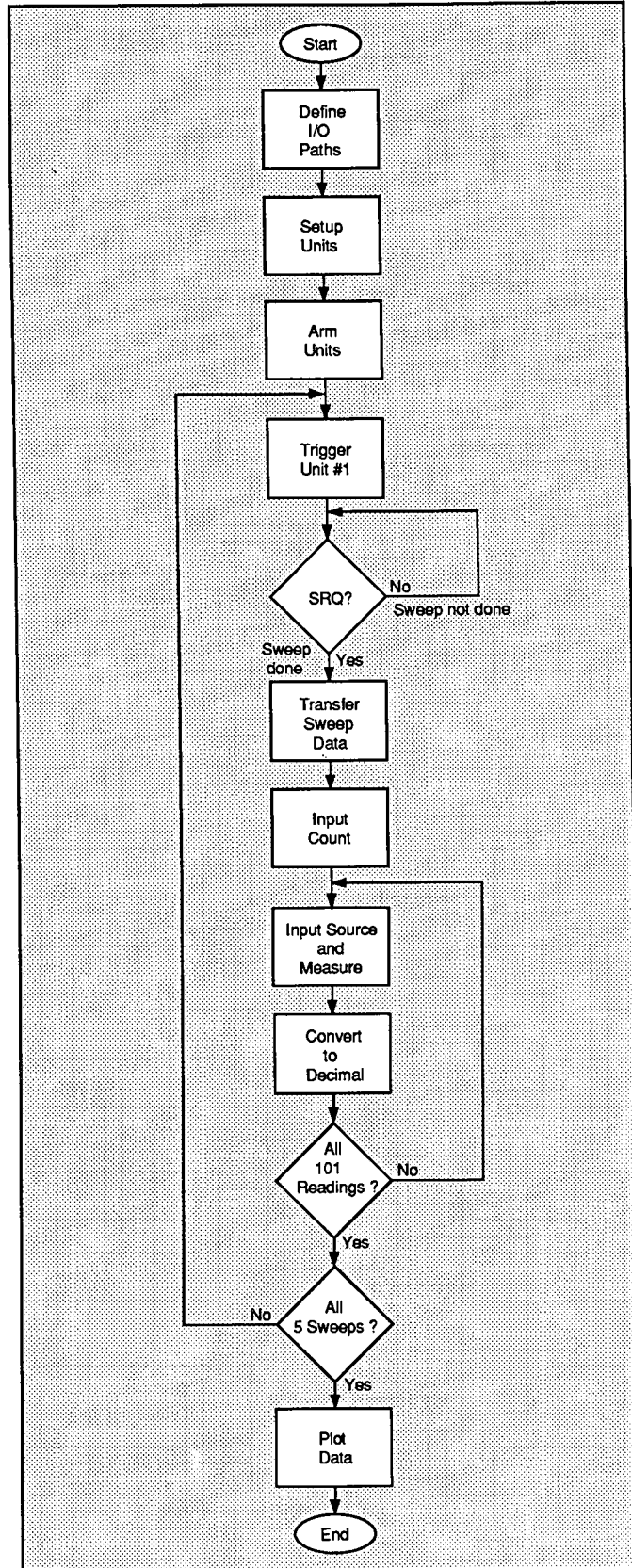


Figure 8-9. Program 24 Flowchart

Once the two units are ready to go, both unit triggers are armed and the units are placed into operate (lines 350 and

360). The main programming loop is then entered to generate the five  $I_B$  curve sweeps (line 370).

To initiate each  $I_B$  curve sweep, Unit #1 is triggered over the bus by the IEEE GET command (line 390). This trigger causes Unit #1 to output the next programmed  $I_B$  current step. Following the programmed delay period, Unit #1 outputs a trigger pulse, which triggers Unit #2 to begin its sweep through all programmed  $V_{CE}$  values. At each  $V_{CE}$  value, Unit #2 measures  $I_C$ , and stores the data until the sweep is done.

In order to synchronize the program with each sweep, the program enters a loop to wait for Unit #2 to generate an SRQ (lines 400 and 410) when it has finished a sweep. Once each sweep has finished, Unit #2 is serial polled to clear the SRQ line (line 420).

At this point, the high-speed data transfer is performed by using the TRANSFER statement (line 430), again using the END and WAIT options with the TRANSFER statement. The first two bytes requested after transfer are the byte count bytes, which are placed into variable N with the aid of the "W" image statement (line 430). Once again, these bytes are not used by the program, but they still must be read from the buffer in order to update the buffer pointers.

Next a loop is entered (line 450) to input and process all data bytes into the proper arrays. First, eight bytes are placed into variables using the appropriate image for byte values (line 460). These variables are defined as follows:

**Sr (Source Resolution):** This variable contains information on the source resolution.

**Shi (Source High):** This variable contains the most-significant byte of the source value.

**Smid (Source Middle):** This variable contains the middle byte of the source value.

**Slo (Source Low):** This variable holds the least significant byte of the source value.

**Mr (Measure Resolution):** This variable contains the measurement resolution, compliance flag, and overflow information.

**Mhi (Measure High):** This variable holds the most-significant byte of the measure value.

**Mmid (Measure Middle Value):** This variable contains the middle byte of the measure value.

**Mlo (Measure Low):** This variable contains the least-significant byte of the measure value.

After the information is transferred to the respective variables, bit 7 of Mhi and Shi are checked to determine if the values are negative. If so, the respective bytes are sign extended to convert to negative (lines 480 and 490). We are assuming that any negative values are the result of offsets or noise because all normal measured values are assumed to be positive.

The measure and source values are then converted to decimal (lines 500-510). After conversion, the source value is located in element (I,1) of the reading array, and the measured current is in element (I,2) of the reading array. The minimum and maximum measured collector current values are then found (lines 590-690), and data are then plotted (lines 680-1020).

**SECTION 8**  
*Optimizing Measurement Speed*

```

10  REM BINARY TRANSFER COMMON EMITTER PROGRAM REV. 1.3 (Program 24)
20  OPTION BASE 1                ! First array subscript is 1
30  DIM Reading(5,101,2)        ! Dimension reading array (5 swps,101 pts)
40  ASSIGN @D236 TO 717         ! Assign I/O path to Unit 2
50  ASSIGN @Buf TO BUFFER [2500] ! Assign I/O path to BUFFER
60  CLEAR 7                      ! Clear both Units
70  OUTPUT KBD;CHR$(255);CHR$(75); ! Clear screen
80  REM ***** Unit 1 setup (sweeps Ib) *****
90  REMOTE 716                   ! Put Unit 1 in remote
100 OUTPUT 716;"F1,1X"          ! Source I, sweep mode
110 OUTPUT 716;"L1,1X"         ! 1V compliance,1.1V range
120 OUTPUT 716;"00X"           ! Local sense
130 OUTPUT 716;"T1,1,2,0X"     ! GET trigger cycle,out trig end of delay
135 OUTPUT 716;"B0,0,0X"       ! Program 0 bias value
140 Istart=1.0E-5              ! Define 10uA start Ib current
150 Istop=5.0E-5               ! Define 50uA stop Ib current
160 Istep=1.0E-5               ! Define 10uA step Ib current
170 INPUT "Enter delay (msec)",Dly ! Input delay for both Units
180 OUTPUT 716;"Q1,";Istart;",";Istop;",";Istep;",";0;";Dly;"X" ! Program sweep
190 REM ***** Unit 2 setup (sweeps Vce, measures Ic) *****
200 REMOTE 717                   ! Put Unit 2 in remote
210 OUTPUT 717;"F0,1X"         ! Source V, sweep mode
220 OUTPUT 717;"00X"           ! Local sensing
230 OUTPUT 717;"L100E-3,9X"    ! 100mA compliance,100mA range
240 OUTPUT 717;"G5,3,2X"       ! Source,measure,binary,sweep data
250 OUTPUT 717;"M2,X"          ! SRQ on sweep done
255 OUTPUT 717;"B0,0,0X"       ! Program 0 bias value
260 OUTPUT 717;"Z1X"           ! Enable suppress
270 OUTPUT 717;"T3,0,0,0X"     ! Trigger on external
280 OUTPUT 717;"Y4S0P0X"       ! Terminator off,fastest rate,no filtering
290 Vstart=0                    ! Define 0V start Vce
300 Vstop=10                    ! Define 10V stop Vce
310 Vstep=.1                     ! Define 0.1V step Vce
320 OUTPUT 717;"Q1,";Vstart;",";Vstop;",";Vstep;",";0;";Dly;"X" ! Program sweep
330 PRINT "Close lid, press CONT to begin test"
340 PAUSE
350 OUTPUT 716;"R1N1X"          ! Arm Unit 1 trigger,turn on output
360 OUTPUT 717;"R1N1X"          ! Arm Unit 2 trigger, turn on output
370 FOR I=1 TO 5                 ! Loop for five Ib curves
380 PRINT "Generating sweep";I
390 TRIGGER 716                  ! Trigger Unit to start sweep
400 STATUS 7,7;Stat             ! Get IEEE-488 bus status
410 IF NOT BIT(Stat,10) THEN 400 ! Wait for Unit 2 SRQ on sweep done
420 Stat=SPOLL(717)             ! Serial poll Unit 2 to clear SRQ
430 TRANSFER @D236 TO @Buf;END,WAIT ! Transfer from Unit 2 to computer
440 ENTER @Buf USING "%,W";N    ! Get count info
450 FOR J=1 TO 101              ! Loop for all 101 readings
460 ENTER @Buf USING "%,B,B,B,B,B,B,B,B";Sr,Shi,Smid,Slo,Mr,Mhi,Mmid,Mlo
470 Mr=BINAND(Mr,15)           ! Mask off range bits
480 IF BIT(Mhi,7) THEN Mhi=BINEOR(Mhi,-256) ! Sign extend measure high byte
490 IF BIT(Shi,7) THEN Shi=BINEOR(Shi,-256) ! Sign extend source high byte
500 Reading(I,J,2)=(65536*Mhi+256*Mmid+Mlo)*1.E-14*10^Mr ! Convert measure

```

```

510 Reading(I,J,1)=(65536*Shi+256*Smid+Slo)*1.E-5*10^Sr! Convert source value
520 NEXT J ! Loop back for next reading
530 NEXT I ! Loop back for next Ib value
540 OUTPUT 716;"NØX" ! Turn off Unit 1 output
550 OUTPUT 717;"NØX" ! Turn off Unit 2 output
560 PRINT "Press CONT to display graph"
570 PRINT "Press CONT while in graph to return to BASIC"
580 PAUSE
590 Ymin=MAXREAL ! Find minimum and maximum Ic value
600 Ymax=-MAXREAL
610 FOR I=1 TO 5
620 FOR J=1 TO 101
630 IF Reading(I,J,2)<Ymin THEN Ymin=Reading(I,J,2)
640 IF Reading(I,J,2)>Ymax THEN Ymax=Reading(I,J,2)
650 NEXT J
660 NEXT I
670 OUTPUT KBD;CHR$(255);CHR$(75); ! Clear screen
680 GINIT ! Initialize graphics
690 PLOTTER IS CRT,"INTERNAL" ! Define plot to CRT
700 GRAPHICS ON ! Turn on graphics
710 MOVE 10,95 ! Title graph
720 LABEL "BINARY TRANSFER COMMON EMITTER TEST"
730 MOVE 70,10 ! Label X axis
740 LABEL "Vce"
750 MOVE 0,53 ! Label Y axis
760 LABEL "Ic"
770 VIEWPORT 30,120,20,85 ! Define soft clip limits
780 WINDOW Vstart,Vstop,Ymin,Ymax ! Scale graph
790 Y1=(Ymax-Ymin)/10 ! Compute Y axis increment
800 X1=(Vstop-Vstart)/10
810 GRID 2*X1,2*Y1,Vstart,Ymin ! Draw grid
820 AXES X1,Y1,Vstart,Ymin ! Add some tick marks
830 FOR I=1 TO 5 ! Loop for all five curves
840 FOR J=1 TO 101 ! Loop for all 101 points per curve
850 PLOT Reading(I,J,1),Reading(I,J,2) ! Plot point
860 NEXT J ! Plot next point
870 PENUP
880 NEXT I ! Plot next curve
890 CSIZE 4 ! Define character size
900 LORG 6 ! Center character
910 CLIP OFF ! Turn off soft clipping
920 FOR I=Vstart TO Vstop+.01*Vstep STEP X1 ! Number X axis
930 MOVE I,Ymin-(Y1/4)
940 LABEL USING "#,K";I
950 NEXT I
960 FOR I=Ymin TO Ymax+.01*Y1 STEP Y1 ! Number Y axis
970 MOVE Vstart-(1.3*X1),I+(.3*Y1)
980 LABEL USING "#,MD.DDE";I
990 NEXT I
1000 PAUSE
1010 OUTPUT KBD;CHR$(255);CHR$(75); ! Turn off alpha display
1020 GRAPHICS OFF ! Turn off graphics display
1030 END

```

## 8.5 SELF-BIAS THRESHOLD TEST WITH PLOTTING AND BINARY TRANSFER

The following paragraphs discuss the self-bias threshold test with added  $V_T$  vs.  $I_D$  plotting and binary transfer for maximum speed.

### 8.5.1 Self-bias Threshold Test Configuration

Figure 8-10 shows the general test configuration for the self-bias method of threshold voltage tests. Unit #1 sources the drain current, which is assumed to be the same as the source current, and it also measures the threshold voltage,  $V_T$ . Unit #2 sources  $V_{DS}$ . This arrangement allows very rapid threshold voltage measurement (milliseconds per reading) at very low currents, and it can be used with both enhancement-mode and depletion-mode FETs. Note that the high-impedance sensing circuits and the floating capabilities of the Models 236/237 are key characteristics that allow this special configuration to be used.

#### WARNING

When a Model 236/237 is programmed for remote sensing, hazardous voltage may be present on the SENSE and OUTPUT terminals when the unit is in operate regardless of the programmed voltage or current. To avoid a possible shock hazard, always turn off all power before connecting or disconnecting cables to the Source Measure Unit or the associated test fixture.

#### NOTE

Both  $V_{DS}$  and  $I_D$  must be programmed with reversed polarity because of the connection configuration used. For example, for an N-channel FET, both  $V_{DS}$  and  $I_D$  must be negative. These values will result in proper biasing of the DUT. Also, the sign of the measured  $V_T$  value will be reversed.

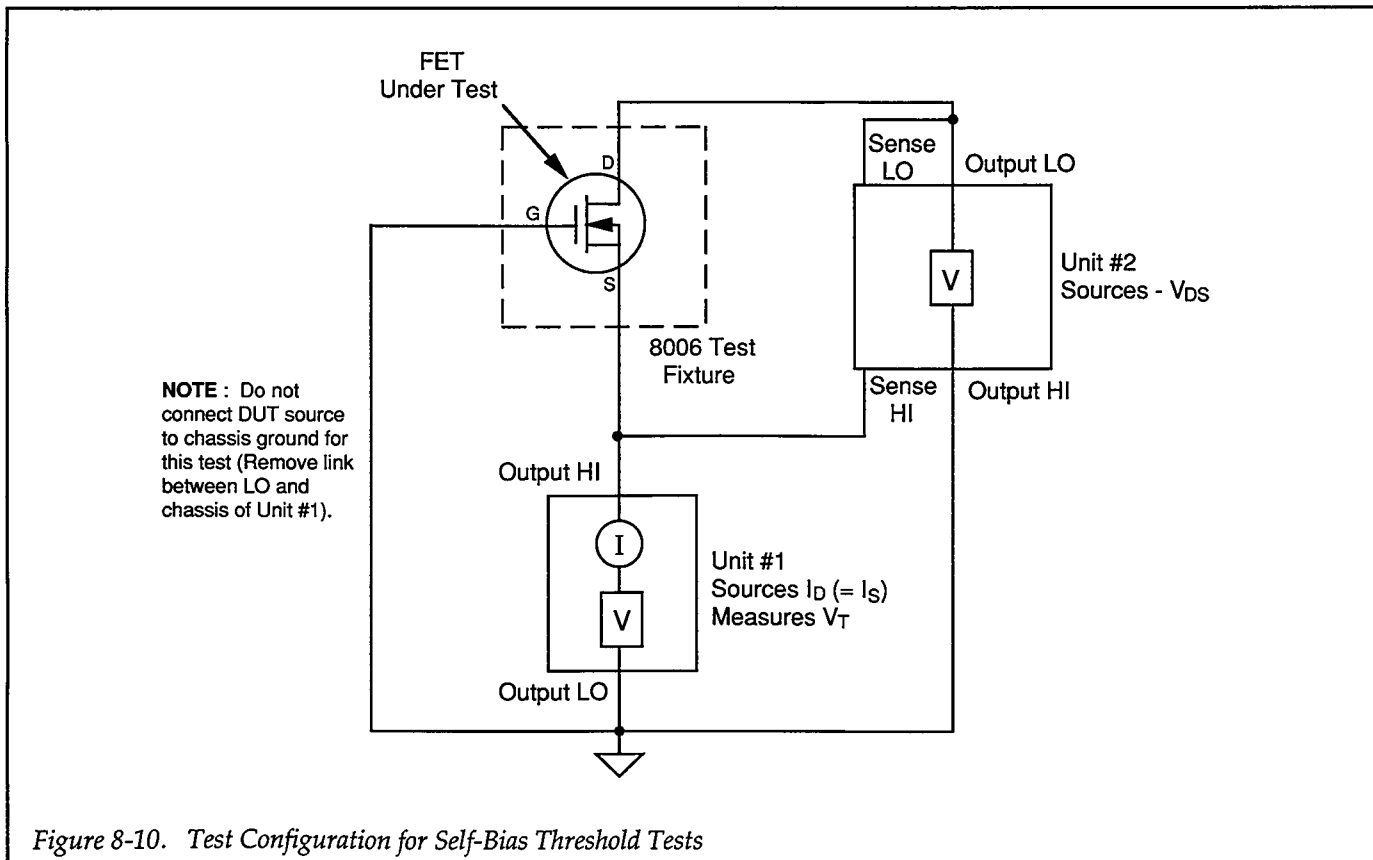


Figure 8-10. Test Configuration for Self-Bias Threshold Tests

### 8.5.2 Self-bias Method Measurement Considerations

There is a limit as to the maximum voltage that can appear between the sense and source leads of each Source Measure Unit. For that reason, the maximum threshold voltage that can be measured with this method is defined as follows:

$$V_{MAX} = 12 - 10 \left( \frac{V_{DS}}{V_{FS}} \right)$$

Where  $V_{MAX}$  = maximum threshold voltage  
 $V_{DS}$  = Unit 2  $V_{DS}$  value  
 $V_{FS}$  = full scale voltage range of Unit #2

For example, if  $V_{DS}$  has a value of 5V with the unit on the 11V measurement range, the maximum voltage is:

$$V_{MAX} = 12 - 10(5/11) = 7.45V$$

From this relationship, it can be seen that the voltage range of Unit #2 should be set as high as possible.

### 8.5.3 Program 25: Self-bias Threshold Voltage Tests with Plotting and Binary Data Transfer

Use Program 25 below to perform the self-bias threshold voltage test.

1. With the power off, connect both Source Measure Units to the IEEE-488 bus of the computer.
2. Connect both units to the test fixture with suitable triax cables using Figure 8-10 as a guide (refer to Figure 8-7 for physical test connections). Note that remote sensing connections are used for Unit #2, and that both OUTPUT LO and SENSE LO of Unit #2 are connected to the drain of the device under test. With this configuration, it will be necessary to program negative  $V_{DS}$  and  $I_D$  values in order to properly bias the DUT.
3. Turn on both units, and allow them to warm up for at least two hours for rated accuracy. Verify that the primary address of Unit #1 is set to 16; the primary address of Unit #2 should be set to 17.
4. Turn on the computer, then boot up BASIC.

5. Enter the lines from Program 25 below into the computer.
6. Place the desired N-channel (enhancement-mode or depletion-mode) FET in the appropriate transistor socket. Install the correct jumpers (using Figure 8-10 as a guide), then close the test fixture lid.
7. RUN the program in the usual fashion. The computer will program Unit #1 to step through  $I_D$  current values between  $-1\mu A$  and  $-100\mu A$  at  $-1\mu A$  increments, using a 0msec user delay for maximum speed and a fixed  $V_{DS}$  value of  $-10V$ .
8. After data are collected, the computer will display a graph of  $V_T$  vs.  $I_D$ , with both  $V_T$  and  $I_D$  sign adjusted for correct polarity.

### 8.5.4 Typical Program 25 Results

Figure 8-11 shows a typical plot generated by Program 25. The FET used for this example was a 2N4392 N-channel JFET.

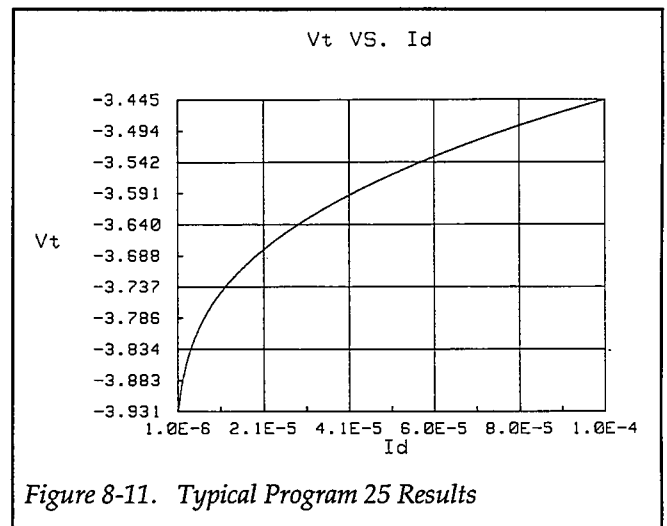


Figure 8-11. Typical Program 25 Results

### 8.5.5 Program 25 Description

Refer to the program listing below and the flowchart in Figure 8-12 for the following description of Program 25.

Initially, the data arrays and I/O paths are set up (lines 30-60), and then instruments are returned to default conditions (line 70). Next, Unit #1, which sources  $I_D$  and measures  $V_T$ , is programmed as follows (lines 100-220):

- Source I, sweep mode
- 10V compliance, 11V range
- Local sense
- Trigger on GET, continuous



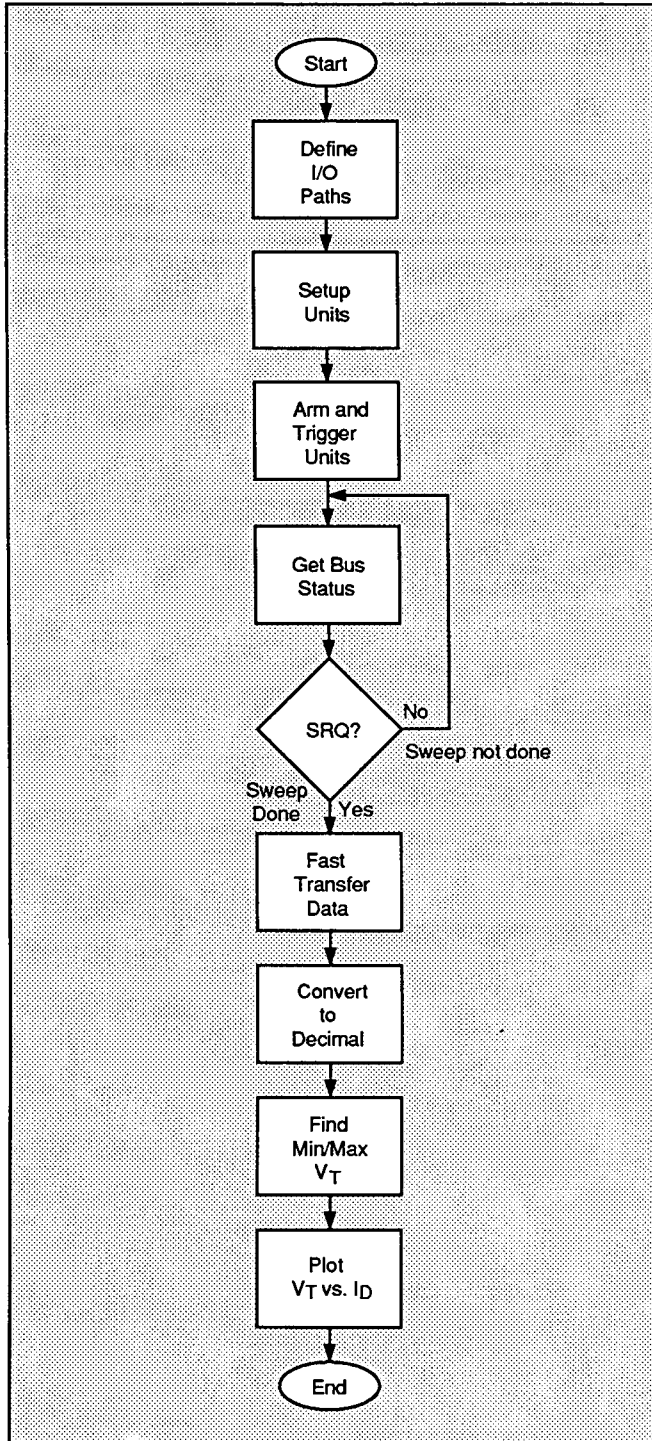


Figure 8-12. Program 25 Flowchart

- Step  $I_D$  current:  $-1\mu\text{A}$
- Delay: 0msec

Next, Unit #2, which sources  $V_{DS}$  is then configured in the following manner (lines 240):

- Source V, dc mode
- Remote sensing
- 100mA compliance, 100mA range
- Trigger on GET, continuous
- $-10\text{V}$  fixed  $V_{DS}$  value

After operator signal (lines 310 and 320), both Source Measure Units are armed and placed into operate (lines 330 and 340) and triggered (lines 350 and 360). The program then enters a loop to wait for Unit #1 to generate an SRQ (lines 370 and 370). After the SRQ, Unit #1 is serial polled to clear the SRQ (line 390), and both units are placed into standby (lines 400 and 410).

Unit #1 data is then transferred to the computer buffer (line 420), and the byte count is read from the buffer to update the buffer pointer (line 430). Next, the main input and conversion loop are set up (lines 440-510). Initially, all eight bytes of a reading are read from the buffer into BASIC variables (line 450), and the source and measure values are checked to see if they are negative (lines 460 and 470). If so, the corresponding byte is sign extended to properly convert to a negative value. After this conversion, the measure resolution byte is masked to recover the resolution bits (line 480), and the source and measure values are converted to decimal and, at the same time, sign adjusted for correct polarity (lines 490 and 500).

After conversion, the maximum and minimum  $V_T$  values are determined (lines 520-570), and data is plotted as usual (lines 610-910).

### 8.5.6 Modifying Program 25

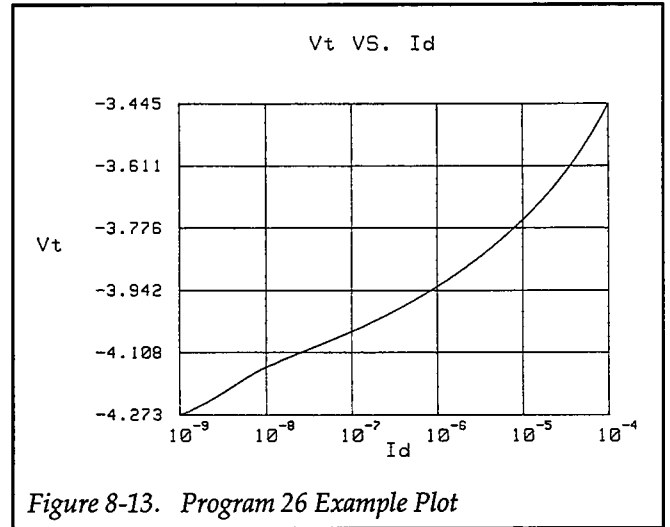
As written, the program tests for threshold voltages at 100 values of  $I_D$  between  $-1\mu\text{A}$  and  $-100\mu\text{A}$  at  $-1\mu\text{A}$  increments (as pointed out previously, the programmed drain currents must be negative with an N-channel device because of the test configuration used). These values can be changed to the required values simply by modifying the corresponding variables in the program.

### 8.5.7 Self-bias Threshold Test Using Log Sweep

Often, the required sweep range is too large for a linear sweep. In such cases, a log sweep can be used. Program

- Source, measure data, no prefix or suffix, binary data
- SRQ on sweep done
- Terminator off, fastest integration rate, filter off
- Start  $I_D$  current:  $-1\mu\text{A}$
- Stop  $I_D$  current:  $-100\mu\text{A}$

26 is a modified version of Program 25 which will generate a plot of  $V_T$  vs.  $I_D$  using a range of  $I_D$  between 1nA and 100 $\mu$ A with 10 points per decade. Aside from the changes required to accommodate a log sweep, the other important changes include the use of line cycle integration as well as a 200msec delay period because of the low currents involved. Figure 8-13 shows an example plot generated by this program.



**SECTION 8**  
*Optimizing Measurement Speed*

```

10  REM SELF BIAS THRESHOLD VOLTAGE TEST PROGRAM REV. 1.3 (Program 25)
20  REM INCLUDES BINARY TRANSFER AND PLOTTING OF Vt VS. Id
30  OPTION BASE 1                                ! First array subscript is 1
40  DIM Reading(100,2)                          ! Dimension reading array
50  ASSIGN @D236 TO 716                         ! Assign I/O path to 236
60  ASSIGN @Buf TO BUFFER [3000]               ! Assign I/O path to BUFFER
70  CLEAR 7                                      ! Clear both Units
80  OUTPUT KBD;CHR$(255);CHR$(75);             ! Clear screen
90  REM ***** Unit 1 setup (sources -Id, measures -Vt) *****
100 REMOTE 716                                  ! Put Unit 1 in remote
110 OUTPUT 716;"F1,1X"                         ! Source I, sweep mode
120 OUTPUT 716;"L10,2X"                       ! 10V compliance, 11V range
130 OUTPUT 716;"00Z0X"                        ! Local sense,suppress off
140 OUTPUT 716;"T1,0,0,0X"                   ! GET trigger,continuous
150 OUTPUT 716;"G5,3,2X"                     ! Source,measure,binary data
160 OUTPUT 716;"M2,X"                        ! SRQ on sweep done
170 OUTPUT 716;"Y4S0P0X"                     ! Terminator off,fast rate,filter off
175 OUTPUT 716;"B0,0,0X"                     ! Program 0 bias value
180 Istart=-1.0E-6                            ! Define -1uA start current
190 Istop=-1.00E-4                           ! Define -100uA stop current
200 Istep=-1.0E-6                             ! Define -1uA step current
210 Dly=0                                      ! Define 0 sec Unit delay
220 OUTPUT 716;"Q1,";Istart;",";Istop;",";Istep;","0,";Dly;"X" ! Pgm swp
230 REM ***** Unit 2 setup (sources -Vds) *****
240 REMOTE 717                                  ! Put Unit 2 in remote
250 OUTPUT 717;"F0,0X"                        ! Source V, DC mode
260 OUTPUT 717;"01X"                          ! Remote sensing
270 OUTPUT 717;"L100E-3,9X"                  ! 100mA compliance,100mA range
280 OUTPUT 717;"T1,0,0,0X"                   ! Get trigger, continuous
290 Vds=-10                                    ! Define -10V Vds value
300 OUTPUT 717 ;"B";Vds;","3,";Dly;"X"      ! Program DC, 110V range,delay
310 PRINT "Close lid, press CONT to begin test"
320 PAUSE
330 OUTPUT 716;"R1N1X"                        ! Arm Unit 1 trigger,turn on output
340 OUTPUT 717;"R1N1X"                        ! Arm Unit 2 trigger,turn on output
350 TRIGGER 717                                ! Trigger Unit 2
360 TRIGGER 716                                ! Trigger Unit 1
370 STATUS 7,7;Stat                           ! Get bus status
380 IF NOT BIT(Stat,10) THEN 370              ! Wait for SRQ
390 Stat=SPOLL(716)                            ! Serial poll Unit 1 to clear SRQ
400 OUTPUT 716;"N0X"                          ! Turn off Unit 1 output
410 OUTPUT 717;"N000X"                       ! Turn off Unit 2 output,local sense
420 TRANSFER @D236 TO @Buf;END,WAIT          ! Fast transfer data to computer
430 ENTER @Buf USING "%,W";N                  ! Input reading count
440 FOR I=1 TO 100                             ! Loop for all readings
450 ENTER @Buf USING "%,B,B,B,B,B,B,B,B";Sr,Shi,Smid,Slo,Mr,Mhi,Mmid,Mlo
460 IF BIT(Mhi,7) THEN Mhi=BINEOR(Mhi,-256) ! Sign extend measure high byte
470 IF BIT(Shi,7) THEN Shi=BINEOR(Shi,-256) ! sign extend source high byte
480 Mr=BINAND(Mr,15)                          ! Mask off range bits
490 Reading(I,2)=-((65536*Mhi+256*Mmid+Mlo)*1.E-5*10^Mr) ! Convert measure
500 Reading(I,1)=-((65536*Shi+256*Smid+Slo)*1.E-14*10^Sr) ! Convert source

```

```
510 NEXT I ! Loop back for next reading
520 Ymin=MAXREAL ! Find minimum and maximum Vt
530 Ymax=-MAXREAL
540 FOR I=1 TO 100
550 IF Reading(I,2)<Ymin THEN Ymin=Reading(I,2)
560 IF Reading(I,2)>Ymax THEN Ymax=Reading(I,2)
570 NEXT I
580 PRINT "Press CONT to display graph"
590 PRINT "Press CONT while in graph to return to BASIC"
600 PAUSE
610 OUTPUT KBD;CHR$(255);CHR$(75); ! Clear CRT
620 GINIT ! Initialize graphics
630 PLOTTER IS CRT,"INTERNAL" ! Define plot to CRT
640 GRAPHICS ON ! Turn on graphics
650 MOVE 55,95 ! Title graph
660 LABEL "Vt vs. Id"
670 MOVE 70,10 ! Label X axis
680 LABEL "Id"
690 MOVE 0,53 ! Label Y axis
700 LABEL "Vt"
710 VIEWPORT 30,120,20,85 ! Define soft clip limits
720 WINDOW -Istart,-Istop,Ymin,Ymax ! Scale graph
730 X1=(Istart-Istop)/10 ! Compute X axis increment
740 Y1=(Ymax-Ymin)/10 ! Compute Y axis increment
750 GRID X1*2,Y1*2,-Istart,Ymin ! Draw grid
760 AXES X1,Y1,-Istart,Ymin ! Add some tick marks
770 PLOT Reading(*) ! Plot data
780 CSIZE 4 ! Define character size
790 LORG 6 ! Center characters
800 CLIP OFF ! Turn off soft clipping
810 FOR I=-Istart TO -Istop+.01*(-Istep) STEP 2*X1 ! Number X axis
820 MOVE I,Ymin-(Y1/4)
830 LABEL USING "#,D.DESZ";I
840 NEXT I
850 FOR I=Ymin TO Ymax+.01*Y1 STEP Y1 ! number Y axis
860 MOVE -Istart-(1.3*X1),I+(.3*Y1)
870 LABEL USING "#,MDD.DDD";I
880 NEXT I
890 PAUSE
900 OUTPUT KBD;CHR$(255);CHR$(75); ! Turn off alpha display
910 GRAPHICS OFF ! Turn off graphics display
920 END
```

**SECTION 8**  
*Optimizing Measurement Speed*

```

10  REM LOG SWEEP SELF BIAS THRESHOLD VOLTAGE PROGRAM REV. 1.3 (Program 26)
20  REM INCLUDES BINARY TRANSFER AND PLOTTING OF Vt VS. Id
30  OPTION BASE 1                      ! First array subscript is 1
40  DIM Reading(51,2)                  ! Dimension reading array
50  ASSIGN @D236 TO 716                 ! Assign I/O path to 236
60  ASSIGN @Buf TO BUFFER [3000]       ! Assign I/O path to BUFFER
70  CLEAR 7                             ! Clear both Units
80  OUTPUT KBD;CHR$(255);CHR$(75);     ! Clear screen
90  REM ***** Unit 1 setup (sources -Id, measures -Vt) *****
100 REMOTE 716                          ! Put Unit 1 in remote
110 OUTPUT 716;"F1,1X"                  ! Source I, sweep mode
120 OUTPUT 716;"L10,2X"                 ! 10V compliance, 11V range
130 OUTPUT 716;"00Z0X"                  ! Local sense,suppress off
140 OUTPUT 716;"T1,0,0,0X"             ! GET trigger,continuous
150 OUTPUT 716;"G5,3,2X"               ! Source,measure,binary data
160 OUTPUT 716;"M2,X"                  ! SRQ on sweep done
170 OUTPUT 716;"Y4S2P0X"               ! Terminator off,line cycle,filter off
175 OUTPUT 716;"B0,0,0X"               ! Program 0 bias value
180 Istart=-1.0E-9                     ! Define -1nA start current
190 Istop=-1.00E-4                     ! Define -100uA stop current
200 Points=1                            ! 10 points per decade
210 Dly=200                              ! Define 200msec Unit delay
220 OUTPUT 716;"Q2,";Istart;",";Istop;",";Points;","0,";Dly;"X" ! Pgm LOG swp
230 REM ***** Unit 2 setup (sources -Vds) *****
240 REMOTE 717                          ! Put Unit 2 in remote
250 OUTPUT 717;"F0,0X"                  ! Source V, DC mode
260 OUTPUT 717;"01X"                   ! Remote sensing
270 OUTPUT 717;"L100E-3,9X"           ! 100mA compliance,100mA range
280 OUTPUT 717;"T1,0,0,0X"            ! Get trigger, continuous
290 Vds=-10                             ! Define -10V Vds value
300 OUTPUT 717 ;"B";Vds;"3,";Dly;"X"   ! Program DC, 110V range,delay
310 PRINT "Close lid, press CONT to begin test"
320 PAUSE
330 OUTPUT 716;"R1N1X"                  ! Arm Unit 1 trigger,turn on output
340 OUTPUT 717;"R1N1X"                  ! Arm Unit 2 trigger,turn on output
350 TRIGGER 717                          ! Trigger Unit 2
360 TRIGGER 716                          ! Trigger Unit 1
370 STATUS 7,7;Stat                     ! Get bus status
380 IF NOT BIT(Stat,10) THEN 370        ! Wait for SRQ
390 Stat=SPOLL(716)                     ! Serial poll Unit 1 to clear SRQ
400 OUTPUT 716;"N0X"                   ! Turn off Unit 1 output
410 OUTPUT 717;"N000X"                 ! Turn off Unit 2 output,local sense
420 TRANSFER @D236 TO @Buf;END,WAIT     ! Fast transfer data to computer
430 ENTER @Buf USING "%,W";N            ! Input reading count
440 FOR I=1 TO 51                        ! Loop for all readings
450 ENTER @Buf USING "%,B,B,B,B,B,B,B,B";Sr,Shi,Smid,Slo,Mr,Mhi,Mmid,Mlo
460 IF BIT(Mhi,7) THEN Mhi=BINEOR(Mhi,-256) ! Sign extend measure high byte
470 IF BIT(Shi,7) THEN Shi=BINEOR(Shi,-256) ! sign extend source high byte
480 Mr=BINAND(Mr,15)                    ! Mask off range bits
490 Reading(I,2)=-((65536*Mhi+256*Mmid+Mlo)*1.E-5*10^Mr) ! Convert measure
500 Reading(I,1)=-((65536*Shi+256*Smid+Slo)*1.E-14*10^Sr) ! Convert source

```

```
510 NEXT I ! Loop back for next reading
520 Ymin=MAXREAL ! Find minimum and maximum Vt
530 Ymax=-MAXREAL
540 FOR I=1 TO 51
550 IF Reading(I,2)<Ymin THEN Ymin=Reading(I,2)
560 IF Reading(I,2)>Ymax THEN Ymax=Reading(I,2)
570 NEXT I
580 FOR I=1 TO 51 ! Find LOG of source data
590 Reading(I,1)=LGT(Reading(I,1))
600 NEXT I
610 Xmin=LGT(ABS(Istart)) ! Find LOG of min X axis value
620 Xmax=LGT(ABS(Istop)) ! Find LOG of max X axis value
630 PRINT "Press CONT to display graph"
640 PRINT "Press CONT while in graph to return to BASIC"
650 PAUSE
660 OUTPUT KBD;CHR$(255);CHR$(75); ! Clear CRT
670 GINIT ! Initialize graphics
680 PLOTTER IS CRT,"INTERNAL" ! Define plot to CRT
690 GRAPHICS ON ! Turn on graphics
700 MOVE 55,95 ! Title graph
710 LABEL "Vt VS. Id"
720 MOVE 70,10 ! Label X axis
730 LABEL "Id"
740 MOVE 0,53 ! Label Y axis
750 LABEL "Vt"
760 VIEWPORT 30,120,20,85 ! Define soft clip limits
770 WINDOW Xmin,Xmax,Ymin,Ymax ! Scale graph
780 X1=(Xmax-Xmin)/10 ! Compute X axis increment
790 Y1=(Ymax-Ymin)/10 ! Compute Y axis increment
800 GRID X1*2,Y1*2,Xmin,Ymin ! Draw grid
810 PLOT Reading(*) ! Plot data
820 LORG 6 ! Center characters
830 CLIP OFF ! Turn off soft clipping
840 FOR I=Xmin TO Xmax+.01*(X1) STEP 2*X1 ! Number X axis
850 CSIZE 4.5
860 MOVE I,Ymin-(Y1/3)
870 LABEL "10"
880 CSIZE 3
890 MOVE I+.5*X1,Ymin-(Y1/8)
900 LABEL USING "#,K";I
910 NEXT I
920 CSIZE 4
930 FOR I=Ymin TO Ymax+.01*Y1 STEP 2*Y1 ! number Y axis
940 MOVE Xmin-(1.3*X1),I+(.3*Y1)
950 LABEL USING "#,MDD.DDD";I
960 NEXT I
970 PAUSE
980 OUTPUT KBD;CHR$(255);CHR$(75); ! Turn off alpha display
990 GRAPHICS OFF ! Turn off graphics display
1000 END
```

# APPENDIX A

## Converting Applications Programs to QuickBASIC for IBM-PC Computers

---

### INTRODUCTION

This appendix contains information on converting the applications programs in this manual to Microsoft QuickBASIC for use with IBM-PC AT and compatible computers. Example programs are also included to demonstrate the process.

#### Computer Hardware Requirements

The following computer hardware is recommended:

- IBM-PC AT or compatible computer.
- EGA graphics adapter and monitor.
- IOtech Personal488, CEC PC-488, or National Instruments PC-II or PC-IIA IEEE-488 interface for the computer.

#### Computer Software Requirements

The following software is necessary:

- MS-DOS or PC-DOS version 3.30 or later.
- Microsoft QuickBASIC BASIC compiler, version 4.0 or later.
- Capital Equipment Corp. CEC-GRAPH graphics software, version 1.7 or later.
- IOtech Driver488 IEEE-488 bus driver, Rev. 2.3 or later.

#### Hardware/Software Installation

Make sure the IEEE-488 interface and Driver488 software driver are installed per manufacturer's recommendations. The board base I/O address, DMA and interrupt status, and board clock frequency must agree with the corresponding driver software settings.

### Compiling and Linking Procedure

Follow the general procedure below to make an executable program from a program source listing.

1. Copy the CEC-GRAPH GRAPHQB.OBJ and GRPKG.OBJ files to your QuickBASIC working diskette or subdirectory.
2. Enter the QuickBASIC editor, and type in the desired program.
3. After checking for errors, save the source listing under a convenient filename, then exit the editor.
4. Compile the program by typing in the following:

```
BC Filename <Enter>
```

Here, Filename is the name of the file assigned in step 3. Fix any errors that occur, and recompile if necessary.

5. Link the files to make an executable by typing in the following:

```
LINK Filename GRAPHQB GRPKG <Enter>
```

Be sure to specify the BCOM library at the .LIB prompt if you wish to make a stand-alone executable. Note that you should not include GRAPHQB and GRPKG in the name list for programs that do not include plotting routines.

6. After linking, the program is ready to run. From the DOS prompt, simply type in the name of the program.

### Running in the QuickBASIC Environment

Instead of separately compiling and linking, you can also run a program while in the QuickBASIC environment. To do so, you must add a DECLARE SUB statement for each CEC-GRAPH CALL used in the program, for example:

```
DECLARE SUB GRAPHXY  
DECLARE SUB SCREENMODE
```

Declarations should be added at the front of each program as appropriate.

In addition, you must also load the GRAPHQB.LIB module when entering the editor as follows:

```
QB /L GRAPHQB <Enter>
```

You can then type in or load your program as usual.

Press shift F5 while in the editor to run a program.

### **Example Programs**

The sample listings on the following pages are the translated versions of six example programs throughout this

manual. The programs and reference areas of the manual are:

Program A-1, Diode Characterization: paragraph 2.6.  
Program A-2,  $I_{CEO}$  Measurement: paragraph 3.7.  
Program A-3, Common-emitter Test: paragraph 3.4.  
Program A-4, Common-source Test: paragraph 4.4.  
Program A-5, Self-bias Threshold Test: paragraph 8.5.  
Program A-6, Gummel Plot: paragraph 3.5.

### **Example Plots**

Figure A-1 through Figure A-6 show the example plots from the QuickBASIC example programs in this appendix. Figure A-1 was generated using an HPGL plotter, while Figure A-2 through Figure A-6 are printer graphics dumps generated with the aid of the DOS GRAPHICS command. In order to use GRAPHICS.COM, you should modify the corresponding program for SCREENMODE 6 and SCREEN 2 in order to support CGA graphics.



```

' DIODE CHARACTERIZATION PROGRAM, QUICKBASIC VERSION REV. 1.3 (Program A-1)
OPEN "\DEV\IEEEOUT" FOR OUTPUT AS #1      ' Open IEEE-488 output path.
OPEN "\DEV\IEEEIN" FOR INPUT AS #2       ' Open IEEE-488 input path.
IOCTL #1, "BREAK"                        ' Reset interface.
PRINT #1, "RESET"                         ' Warm start interface
PRINT #1, "CLEAR"                         ' Send device clear.
PRINT #1, "REMOTE 16"                     ' Put 236 in remote.
CLS                                        ' Clear CRT.
OPTION BASE 1
DIM RX(101), RY(101)                     ' Dimension reading arrays.
PRINT #1, "OUTPUT 16;F1,1X"              ' Source I, sweep mode.
PRINT #1, "OUTPUT 16;OOT1,0,0,OX"        ' Local sense, trigger on GET.
PRINT #1, "OUTPUT 16;L1,1X"              ' 1V compliance, 1.1V range.
PRINT #1, "OUTPUT 16;G5,2,1X"            ' Source,measure,no prefix,sweep data.
PRINT #1, "OUTPUT 16;M2,X"               ' SRQ on sweep done.
PRINT #1, "OUTPUT 16;B0,0,OX"            ' Program 0 bias value.
PRINT #1, "OUTPUT 16;Z1X"                ' Enable suppress
Istart = 0: Istop = .0001: Istep = .000001 ' Define current parameters.
Delay = 10                                ' Define 10msec delay.
PRINT #1, "OUTPUT 16;Q1,"; Istart; ","; Istop; ","; Istep; ",0,"; Delay; "X"
PRINT "Close lid, press any key to begin."
DO WHILE INKEY$ = "": LOOP                 ' Wait for keypress.
PRINT #1, "OUTPUT 16;R1N1X"               ' Arm sweep, turn on 236 output.
PRINT #1, "TRIGGER 16"                    ' Trigger sweep.
WaitForSRQ: PRINT #1, "STATUS"            ' Get bus status.
INPUT #2, ST$                              ' Input status string.
IF MID$(ST$, 11, 2) = "SO" THEN GOTO WaitForSRQ ' Wait for SRQ.
PRINT #1, "SPOLL 16"                       ' Serial poll 236 to clear SRQ.
INPUT #2, SB
PRINT #1, "OUTPUT 16;NOX"                  ' Turn off 236 output.
FOR I = 1 TO 101                           ' Loop for all 101 readings.
PRINT #1, "ENTER 16"                       ' Address 236 to talk.
INPUT #2, RX(I), RY(I)                     ' Input current and voltage readings.
NEXT I                                      ' Loop back for next reading.
CLOSE 1: CLOSE 2                           ' Close I/O files.
PRINT "Press key to display graph."
PRINT "Press key while in graph to end program."
DO WHILE INKEY$ = "": LOOP                 ' Wait for keypress.
title$ = "DIODE TEST PROGRAM PLOT"         ' Plot data
CALL SCREENMODE(16)
SCREEN 9
CALL GRAPHXY(SEG RX(1), SEG RY(1), 101, 1, "If", 1, "Vf", title$, 1, 0, 2)
DO WHILE INKEY$ = "": LOOP
END
    
```

```
'BIPOLAR TRANSISTOR LEAKAGE TEST, QUICKBASIC VERSION. REV. 1.3 (Program A-2)
OPEN "\\DEV\IEEEOUT" FOR OUTPUT AS #1 ' Open IEEE-488 output path.
OPEN "\\DEV\IEEEIN" FOR INPUT AS #2 ' Open IEEE-488 input path.
IOCTL #1, "BREAK" ' Reset interface.
PRINT #1, "RESET" ' Warm start interface
PRINT #1, "CLEAR" ' Send device clear.
PRINT #1, "REMOTE 16" ' Put unit in remote.
CLS ' Clear CRT.
OPTION BASE 1
DIM RX(101), RY(101) ' Dimension reading arrays.
PRINT #1, "OUTPUT 16;F0,1X" ' Source V, sweep mode.
PRINT #1, "OUTPUT 16;OOT1,0,0,0X" ' Local sense, trigger on GET.
PRINT #1, "OUTPUT 16;L1E-3,0X" ' 1mA compliance, autorange measure.
PRINT #1, "OUTPUT 16;G5,2,1X" ' Source, measure, no prefix, sweep.
PRINT #1, "OUTPUT 16;M2,X" ' SRQ on sweep done.
PRINT #1, "OUTPUT 16;S2X" ' Line cycle integration.
PRINT #1, "OUTPUT 16;B0,0,0X" ' Program 0 bias value.
PRINT #1, "OUTPUT 16;Z1X" ' Enable suppress.
Vstart = 0: Vstop = 10: Vstep = .1 ' Define voltage sweep parameters.
Delay = 100 ' Define 100msec delay.
PRINT #1, "OUTPUT 16;Q1, "; Vstart; ", "; Vstop; ", "; Vstep; ", 0, "; Delay; "X"
PRINT "Close lid, press any key to begin."
DO WHILE INKEY$ = "": LOOP ' Wait for keypress.
PRINT #1, "OUTPUT 16;R1N1X" ' Arm sweep, turn on 236 output.
PRINT #1, "TRIGGER 16" ' Trigger sweep.
WaitForSRQ: PRINT #1, "STATUS" ' Get bus status.
INPUT #2, ST$ ' Input status string.
IF MID$(ST$, 11, 2) = "SO" THEN GOTO WaitForSRQ ' Wait for SRQ.
PRINT #1, "SPOLL 16" ' Serial poll 236 to clear SRQ.
INPUT #2, SB
PRINT #1, "OUTPUT 16;NOX" ' Turn off 236 output.
FOR I = 1 TO 101 ' Loop for all 101 readings.
PRINT #1, "ENTER 16" ' Address 236 to talk.
INPUT #2, RX(I), RY(I) ' Input voltage and current readings.
NEXT I ' Loop back for next reading.
CLOSE 1: CLOSE 2 ' Close I/O files.
PRINT "Press key to display graph."
PRINT "Press key while in graph to end program."
DO WHILE INKEY$ = "": LOOP ' Wait for keypress.
title$ = "Iceo vs. Vceo": xaxis$ = "Vceo": yaxis$ = "Iceo" ' Plot data
X% = 1: Y% = 1: SYMBOL% = 0: NUM% = 101: PEN.NUM% = 2: LIN% = 1: MODE% = 16
CALL GRID(1)
CALL SCREENMODE(MODE%)
SCREEN 9
CALL GRAPHXY(SEG RX(1), SEG RY(1), NUM%, X%, xaxis$, Y%, yaxis$, title$, LIN%, SYMBOL
%, PEN.NUM%)
DO WHILE INKEY$ = "": LOOP
END
```

```
'COMMON-EMITTER TEST PROGRAM, QUICKBASIC VERSION. REV. 1.3 (Program A-3)
OPEN "\DEV\IEEEOUT" FOR OUTPUT AS #1      ' Open IEEE-488 output path.
OPEN "\DEV\IEEEIN" FOR INPUT AS #2       ' Open IEEE-488 input path.
IOCTL #1, "BREAK"                        ' Reset interface.
PRINT #1, "RESET"                        ' Warm start interface
PRINT #1, "CLEAR"                        ' Send device clear.
PRINT #1, "REMOTE 16,17"                 ' Put units in remote.
CLS                                       ' Clear CRT.

OPTION BASE 1
DIM R(5, 101, 2), RX(101), RY(101)      ' Dimension reading arrays.
REM ***** Unit 1 SETUP (Sweeps Ib) *****
PRINT #1, "OUTPUT 16;F1,1X"             ' Source I, sweep mode.
PRINT #1, "OUTPUT 16;L1,1X"             ' 1V compliance, 1.1V range.
PRINT #1, "OUTPUT 16;OOX"               ' Local sense
PRINT #1, "OUTPUT 16;T1,1,2,0X"         ' Output trigger on end of delay.
PRINT #1, "OUTPUT 16;B0,0,0X"           ' Program 0 bias value
Istart = .00001: Istop = .00005: Istep = .00001 ' Define sweep parameters.
Delay = 100                              ' 100msec delay.
PRINT #1, "OUTPUT 16;Q1,"; Istart; ",,"; Istop; ",,"; Istep; ",,0,"; Delay; "X"
REM *****Unit 2 SETUP (Sweeps Vce, measures Ic) *****
PRINT #1, "OUTPUT 17;F0,1X"             ' Source V, sweep mode.
PRINT #1, "OUTPUT 17;OOX"               ' Local sensing.
PRINT #1, "OUTPUT 17;L100E-3,0X"        ' 100mA compliance, autorange measure.
PRINT #1, "OUTPUT 17;G5,2,1X"           ' Source,measure,no prefix.
PRINT #1, "OUTPUT 17;T3,0,0,0X"         ' Trigger on external.
PRINT #1, "OUTPUT 17;M2,X"              ' SRQ on sweep done.
PRINT #1, "OUTPUT 17;B0,0,0X"           ' Program 0 bias value
PRINT #1, "OUTPUT 17;Z1X"               ' Enable suppress
Vstart = 0: Vstop = 10: Vstep = .1      ' Define sweep parameters.
PRINT #1, "OUTPUT 17;Q1,"; Vstart; ",,"; Vstop; ",,"; Vstep; ",,0,"; Delay; "X"
PRINT "Close lid, press any key to begin"
DO WHILE INKEY$ = "": LOOP
PRINT #1, "OUTPUT 16;R1N1X"              ' Arm Unit 1, turn on output.
PRINT #1, "OUTPUT 17;R1N1X"              ' Arm Unit 2, turn on output.
FOR I = 1 TO 5                            ' Loop for all 5 sweeps.
PRINT "Generating sweep"; I
PRINT #1, "TRIGGER 16"                    ' Trigger Unit 1.
WaitForSRQ: PRINT #1, "STATUS"            ' Get bus status.
INPUT #2, ST$
IF MID$(ST$, 11, 2) = "S0" THEN GOTO WaitForSRQ ' Wait for SRQ.
PRINT #1, "SPOLL 17"                      ' Serial poll Unit 2 to clear SRQ.
INPUT #2, SB
FOR J = 1 TO 101                          ' Loop for all 101 readings.
PRINT #1, "ENTER 17"                      ' Address Unit 2 to talk.
INPUT #2, R(I, J, 1), R(I, J, 2)          ' Get Vce and Ic data from Unit 2.
NEXT J                                    ' Loop back for next reading.
NEXT I                                    ' Loop back for next sweep.
PRINT #1, "OUTPUT 16;NOX"                 ' Turn off Unit 1 output.
PRINT #1, "OUTPUT 17;NOX"                 ' Turn off Unit 2 output.
CLOSE 1: CLOSE 2                          ' Close I/O files.
PRINT "Press any key to display graph."
PRINT "Press any key while in graph to end program."
DO WHILE INKEY$ = "": LOOP
```

```
Ymin = 1E+32: Ymax = -1E+32          ' Find maximum and minimum Ic.
FOR I = 1 TO 5
FOR J = 1 TO 101
IF R(I, J, 2) < Ymin THEN Ymin = R(I, J, 2)
IF R(I, J, 2) > Ymax THEN Ymax = R(I, J, 2)
NEXT J, I
title$ = "COMMON-EMITTER CHARACTERISTICS" ' Plot data.
xaxis$ = "Vce": yaxis$ = "Ic"
X% = 1: Y% = 1: SYMBOL% = 0: NUM% = 101: PEN.NUM% = 2: LIN% = 1: mode% = 16
CALL SCREENMODE(mode%)
SCREEN 9
Xmin = 0!: Xmax = 10!
CALL SCALE(Xmin, Ymin, Xmax, Ymax)
FOR I = 1 TO 5                          ' Loop for all five curves.
FOR J = 1 TO 101
RX(J) = R(I, J, 1): RY(J) = R(I, J, 2) ' Transfer readings to plot arrays.
NEXT J                                  ' Loop back for next data point.
IF I = 2 THEN X% = 0: Y% = 0           ' No axes after first curve.
CALL GRAPHXY(SEG RX(1), SEG RY(1), NUM%, X%, xaxis$, Y%, yaxis$, title$, LIN%, SYMBOL
%, PEN.NUM%)
NEXT I                                  ' Loop back for next curve.
DO WHILE INKEY$ = "": LOOP
END
```

```
'COMMON-SOURCE TEST PROGRAM, QUICKBASIC VERSION. REV. 1.3 (Program A-4)
OPEN "\DEV\IEEEOUT" FOR OUTPUT AS #1 ' Open IEEE-488 output path.
OPEN "\DEV\IEEEIN" FOR INPUT AS #2 ' Open IEEE-488 input path.
IOCTL #1, "BREAK" ' Reset interface.
PRINT #1, "RESET" ' Warm start interface
PRINT #1, "CLEAR" ' Send device clear.
PRINT #1, "REMOTE 16,17" ' Put units in remote.
CLS ' Clear CRT.
OPTION BASE 1
DIM R(5, 101, 2), RX(101), RY(101) ' Dimension reading arrays.
REM ***** UNIT 1 SETUP (Sweeps Vgs) *****
PRINT #1, "OUTPUT 16;F0,1X" ' Source V, sweep mode.
PRINT #1, "OUTPUT 16;L1E-3,7X" ' 1mA compliance,1mA range.
PRINT #1, "OUTPUT 16;OOT1,1,2,0X" ' Local sense, out trig end of delay.
PRINT #1, "OUTPUT 16;B0,0,0X" ' Program 0 bias.
Vgstart = -2: Vgstop = 0: Vgstep = .5 ' Define sweep parameters.
Delay = 10 ' 10msec delay.
PRINT #1, "OUTPUT 16;Q1,"; Vgstart; ","; Vgstop; ","; Vgstep; ",0,"; Delay; "X"
REM *****UNIT 2 SETUP (Sweeps Vds, measures Id) *****
PRINT #1, "OUTPUT 17;F0,1X" ' Source V, sweep mode.
PRINT #1, "OUTPUT 17;OOX" ' Local sensing.
PRINT #1, "OUTPUT 17;L100E-3,0X" ' 100mA compliance, autorange measure.
PRINT #1, "OUTPUT 17;G5,2,1X" ' Source,measure,no prefix.
PRINT #1, "OUTPUT 17;M2,T3,0,0,0X" ' SRQ, trigger on external.
PRINT #1, "OUTPUT 17;B0,0,0X" ' Program 0 bias.
PRINT #1, "OUTPUT 17;Z1X" ' Enable suppress
Vdstart = 0: Vdstop = 10: Vdstep = .1 ' Define sweep parameters.
PRINT #1, "OUTPUT 17;Q1,"; Vdstart; ","; Vdstop; ","; Vdstep; ",0,"; Delay; "X"
PRINT "Close lid, press any key to begin"
DO WHILE INKEY$ = "": LOOP
PRINT #1, "OUTPUT 16;R1N1X" ' Arm Unit 1, turn on output.
PRINT #1, "OUTPUT 17;R1N1X" ' Arm Unit 2, turn on output.
FOR I = 1 TO 5 ' Loop for all 5 sweeps.
PRINT "Generating sweep"; I
PRINT #1, "TRIGGER 16" ' Trigger Unit 1.
WaitForSRQ: PRINT #1, "STATUS" ' Get bus status.
INPUT #2, ST$
IF MID$(ST$, 11, 2) = "SO" THEN GOTO WaitForSRQ ' Wait for SRQ.
PRINT #1, "SPOLL 17" ' Serial poll Unit 2 to clear SRQ.
INPUT #2, SB
FOR J = 1 TO 101 ' Loop for all 101 readings.
PRINT #1, "ENTER 17" ' Address Unit 2 to talk.
INPUT #2, R(I, J, 1), R(I, J, 2) ' Get Vce and Ic data from Unit 2.
NEXT J ' Loop back for next reading.
NEXT I ' Loop back for next sweep.
PRINT #1, "OUTPUT 16;NOX" ' Turn off Unit 1 output.
PRINT #1, "OUTPUT 17;NOX" ' Turn off Unit 2 output.
CLOSE 1: CLOSE 2 ' Close I/O files.
PRINT "Press any key to display graph."
PRINT "Press any key while in graph to end program."
DO WHILE INKEY$ = "": LOOP
Ymin = 1E+32: Ymax = -1E+32 ' Find maximum and minimum Id.
FOR I = 1 TO 5
```

## APPENDIX A

### Converting Applications Programs to QuickBASIC

---

```
FOR J = 1 TO 101
IF R(I, J, 2) < Ymin THEN Ymin = R(I, J, 2)
IF R(I, J, 2) > Ymax THEN Ymax = R(I, J, 2)
NEXT J, I
Xmin = 0!: Xmax = 10!
CALL SCALE(Xmin, Ymin, Xmax, Ymax)
title$ = "COMMON-SOURCE CHARACTERISTICS" ' Plot data.
xaxis$ = "Vds": yaxis$ = "Id"
X% = 1: Y% = 1: SYMBOL% = 0: NUM% = 101: PEN.NUM% = 2: LIN% = 1: MODE% = 16
CALL SCREENMODE(MODE%)
SCREEN 9
FOR I = 1 TO 5 ' Loop for all five curves.
FOR J = 1 TO 101
RX(J) = R(I, J, 1): RY(J) = R(I, J, 2) ' Transfer readings to plot arrays.
NEXT J ' Loop back for next data point.
IF I = 2 THEN X% = 0: Y% = 0 ' Axes on first curve only.
CALL GRAPHXY(SEG RX(1), SEG RY(1), NUM%, X%, xaxis$, Y%, yaxis$, title$, LIN%, SYMBOL
%, PEN.NUM%)
NEXT I ' Loop back for next curve.
DO WHILE INKEY$ = "": LOOP
END
```

```
'LOG SWEEP SELF BIAS THRESHOLD VOLTAGE, QUICKBASIC VER. REV. 1.3 (Pgm. A-5)
OPEN "\DEV\IEEEOUT" FOR OUTPUT AS #1 ' Open IEEE-488 output path.
OPEN "\DEV\IEEEIN" FOR INPUT AS #2 ' Open IEEE-488 input path.
IOCTL #1, "BREAK" ' Reset interface.
PRINT #1, "RESET" ' Warm start interface
PRINT #1, "CLEAR" ' Send device clear.
PRINT #1, "REMOTE 16,17" ' Put units in remote.
CLS ' Clear CRT.

OPTION BASE 1
DIM RX(51), RY(51) ' Dimension reading arrays.
REM ***** Unit 1 SETUP (Sources -Id, measures -Vt) *****
PRINT #1, "OUTPUT 16;F1,1X" ' Source I, sweep mode.
PRINT #1, "OUTPUT 16;L10,2X" ' 10V compliance, 11V range.
PRINT #1, "OUTPUT 16;OOT1,0,0,0X" ' Local sense, out trig end of delay.
PRINT #1, "OUTPUT 16;B0,0,0X" ' Program 0 bias value.
PRINT #1, "OUTPUT 16;G5,2,1X" ' Source,measure,no prefix,sweep data.
PRINT #1, "OUTPUT 16;S2POX" ' Line cycle integration,filter off.
PRINT #1, "OUTPUT 16;B0,0,0X" ' Program 0 bias value.
PRINT #1, "OUTPUT 16;M2,0Z0X" ' SRQ on sweep done,suppress off.
Istart = -1E-09: Istop = -.0001: Points = 1 ' Define sweep parameters.
Delay = 200 ' Define 200msec delay.
PRINT #1, "OUTPUT 16;Q2,"; Istart; ","; Istop; ","; Points; ",0,"; Delay; "X"
REM *****Unit 2 SETUP (Sources -Vds) *****
PRINT #1, "OUTPUT 17;F0,0X" ' Source V, DC mode.
PRINT #1, "OUTPUT 17;O1X" ' Remote sensing.
PRINT #1, "OUTPUT 17;L100E-3,9X" ' 100mA compliance, 100mA range.
PRINT #1, "OUTPUT 17;T1,0,0,0X" ' Trigger on GET.
Vds = -10 ' Define -10V Vds value.
PRINT #1,"OUTPUT 17;B"; Vds; ",3,"; Delay; "X" ' Program DC, 110V range,delay
PRINT "Close lid, press any key to begin"
DO WHILE INKEY$ = "": LOOP
PRINT #1, "OUTPUT 16;R1N1X" ' Arm Unit 1, turn on output.
PRINT #1, "OUTPUT 17;R1N1X" ' Arm Unit 2, turn on output.
PRINT #1, "TRIGGER 17" ' Trigger Unit 2.
PRINT #1, "TRIGGER 16" ' Trigger Unit 1.
WaitForSRQ: PRINT #1, "STATUS" ' Get bus status.
INPUT #2, ST$
IF MID$(ST$, 11, 2) = "S0" THEN GOTO WaitForSRQ ' Wait for SRQ.
PRINT #1, "SPOLL 16" ' Serial poll Unit 1 to clear SRQ.
INPUT #2, SB
FOR I = 1 TO 51 ' Loop for all 51 readings.
PRINT #1, "ENTER 16" ' Address Unit 1 to talk.
INPUT #2, RX(I), RY(I) ' Get -Id and -Vt data from Unit 1.
RX(I) = ABS(RX(I)): RY(I) = -RY(I) ' Sign adjust Id and Vt.
NEXT I ' Loop back for next reading.
PRINT #1, "OUTPUT 16;NOX" ' Turn off Unit 1 output.
PRINT #1, "OUTPUT 17;NOO0X" ' Turn off Unit 2 output,local sense.
CLOSE 1: CLOSE 2 ' Close I/O files.
PRINT "Press any key to display graph."
PRINT "Press any key while in graph to end program."
DO WHILE INKEY$ = "": LOOP
title$ = "Vt vs. Id" ' Plot data.
xaxis$ = "Id": yaxis$ = "Vt"
```

```
X% = 1: Y% = 1: SYMBOL% = 0: NUM% = 51: PEN.NUM% = 2: LIN% = 1: mode% = 16
CALL GRID(1)                                ' Enable grid.
CALL LOGAXIS(1, 0)                          ' Log axis on X axis only.
CALL SCREENMODE(mode%)
SCREEN 9
CALL GRAPHXY(SEG RX(1), SEG RY(1), NUM%, X%, xaxis$, Y%, yaxis$, title$, LIN%, SYMBOL
%, PEN.NUM%)
DO WHILE INKEY$ = "": LOOP
END
```



```
'GUMMEL PLOT TEST PROGRAM, QUICKBASIC VERSION REV. 1.3 (Program A-6)
OPEN "\DEV\IEEEOUT" FOR OUTPUT AS #1      ' Open IEEE-488 output path.
OPEN "\DEV\IEEEIN" FOR INPUT AS #2       ' Open IEEE-488 input path.
IOCTL #1, "BREAK"                        ' Reset interface.
PRINT #1, "RESET"                         ' Warm start interface
PRINT #1, "CLEAR"                        ' Send device clear.
PRINT #1, "REMOTE 16,17"                 ' Put units in remote.
CLS                                       ' Clear CRT.
OPTION BASE 1
DIM R(71, 3), RX(71), RY(71)             ' Dimension reading arrays.
REM ***** UNIT 1 SETUP (Sweeps Vbe, measures Ib) *****
PRINT #1, "OUTPUT 16;F0,1X"              ' Source V, sweep mode.
PRINT #1, "OUTPUT 16;L1E-3,0X"           ' 1mA compliance, autorange measure.
PRINT #1, "OUTPUT 16;OOT3,4,2,0X"        ' Local sense, ext trig end of delay.
PRINT #1, "OUTPUT 16;G5,2,1X"           ' Source, measure, no prefix, sweep data.
PRINT #1, "OUTPUT 16;S2ZOX"              ' Line cycle integration, suppress off.
PRINT #1, "OUTPUT 16;B0,0,0X"            ' Program 0 bias value.
Vstart = .7: Vstop = 0!: Vstep = -.01    ' Define sweep parameters.
Delay = 10                                ' 10msec delay.
PRINT #1, "OUTPUT 16;Q1,"; Vstart; ",,"; Vstop; ",,"; Vstep; ",0,"; Delay; "X"
REM ***** UNIT 2 SETUP (Sources Vce, measures Ic) *****
PRINT #1, "OUTPUT 17;F0,1X"              ' Source V, sweep mode.
PRINT #1, "OUTPUT 17;OOX"                ' Local sensing.
PRINT #1, "OUTPUT 17;L100E-3,0X"         ' 100mA compliance, autorange measure.
PRINT #1, "OUTPUT 17;G4,2,1X"           ' Measure, no prefix.
PRINT #1, "OUTPUT 17;T3,1,4,0X"         ' Trigger on external.
PRINT #1, "OUTPUT 17;B0,0,0X"            ' Program 0 bias value.
PRINT #1, "OUTPUT 17;S2ZOX"              ' Line cycle integration, suppress off.
Vce = 10                                  ' Define 10V constant Vce.
PRINT #1, "OUTPUT 17;Q0,"; Vce; ",0,"; Delay; ",71X" ' Program sweep.
PRINT "Close lid, press any key to begin"
DO WHILE INKEY$ = "": LOOP
PRINT #1, "OUTPUT 16;R1N1X"              ' Arm Unit 1, turn on output.
PRINT #1, "OUTPUT 17;R1N1X"              ' Arm Unit 2, turn on output.
PRINT #1, "OUTPUT 16;HOX"                ' Trigger Unit 1.
FOR I = 71 TO 1 STEP -1                  ' Loop for all 71 readings.
PRINT #1, "ENTER 16"                     ' Address Unit 1 to talk.
INPUT #2, R(I, 1), R(I, 2)               ' Input Vbe and Ib from Unit 1.
PRINT #1, "ENTER 17"                     ' Address Unit 2 to talk.
INPUT #2, R(I, 3)                         ' Input Ic from Unit 2.
IF R(I, 2) < 1E-14 THEN R(I, 2) = 1E-14 ' Set Ib noise floor.
IF R(I, 3) < 1E-14 THEN R(I, 3) = 1E-14 ' Set Ic noise floor.
NEXT I                                    ' Loop for next readings.
PRINT #1, "OUTPUT 16;NOX"                ' Put Unit 1 in standby.
PRINT #1, "OUTPUT 17;NOX"                ' Put Unit 2 in standby.
CLOSE 1: CLOSE 2                          ' Close I/O files.
PRINT "Press any key to display graph."
PRINT "Press any key while in graph to end program."
DO WHILE INKEY$ = "": LOOP
Ymin = 1E+32: Ymax = -1E+32               ' Find maximum Ic and minimum Ib.
FOR I = 1 TO 71
IF R(I, 2) < Ymin THEN Ymin = R(I, 2)
IF R(I, 3) > Ymax THEN Ymax = R(I, 3)
```

```

NEXT I
Xmin = Vstop: Xmax = Vstart
CALL LOGAXIS(0, 1)           ' Log on Y axis only.
CALL SCALE(Xmin, Ymin, Xmax, Ymax) ' Scale graph.
title$ = "Ib, Ic vs. Vbe"    ' Plot data.
xaxis$ = "Vbe": yaxis$ = "Ib & Ic"
X% = 1: Y% = 1: SYMBOL% = 0: NUM% = 71: PEN.NUM% = 2: LIN% = 1: MODE% = 16
CALL SCREENMODE(MODE%)
SCREEN 9
FOR I = 2 TO 3               ' Loop for Ib and Ic curves.
FOR J = 1 TO 71
RX(J) = R(J, 1): RY(J) = R(J, I) ' Transfer readings to plot arrays.
NEXT J                       ' Loop back for next data point.
IF I = 3 THEN X% = 0: Y% = 0 ' Axes on first curve only.
CALL GRAPHXY(SEG RX(1), SEG RY(1), NUM%, X%, xaxis$, Y%, yaxis$, title$, LIN%, SYMBOL
%, PEN.NUM%)
NEXT I                       ' Loop back for next curve.
DO WHILE INKEY$ = "": LOOP
END
    
```

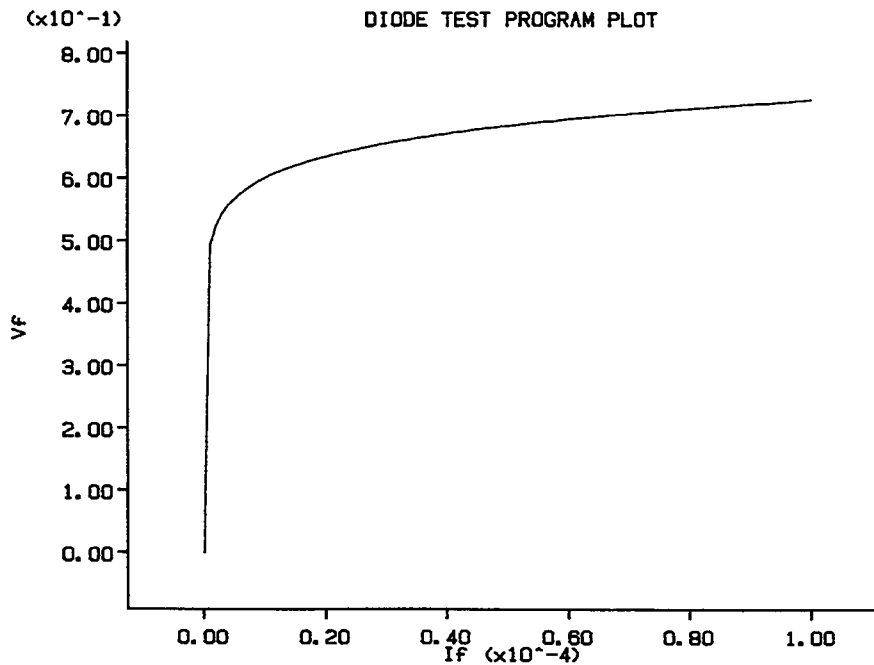


Figure A-1. Example Test Plot Using HPGL Plotter (from Program A-1)

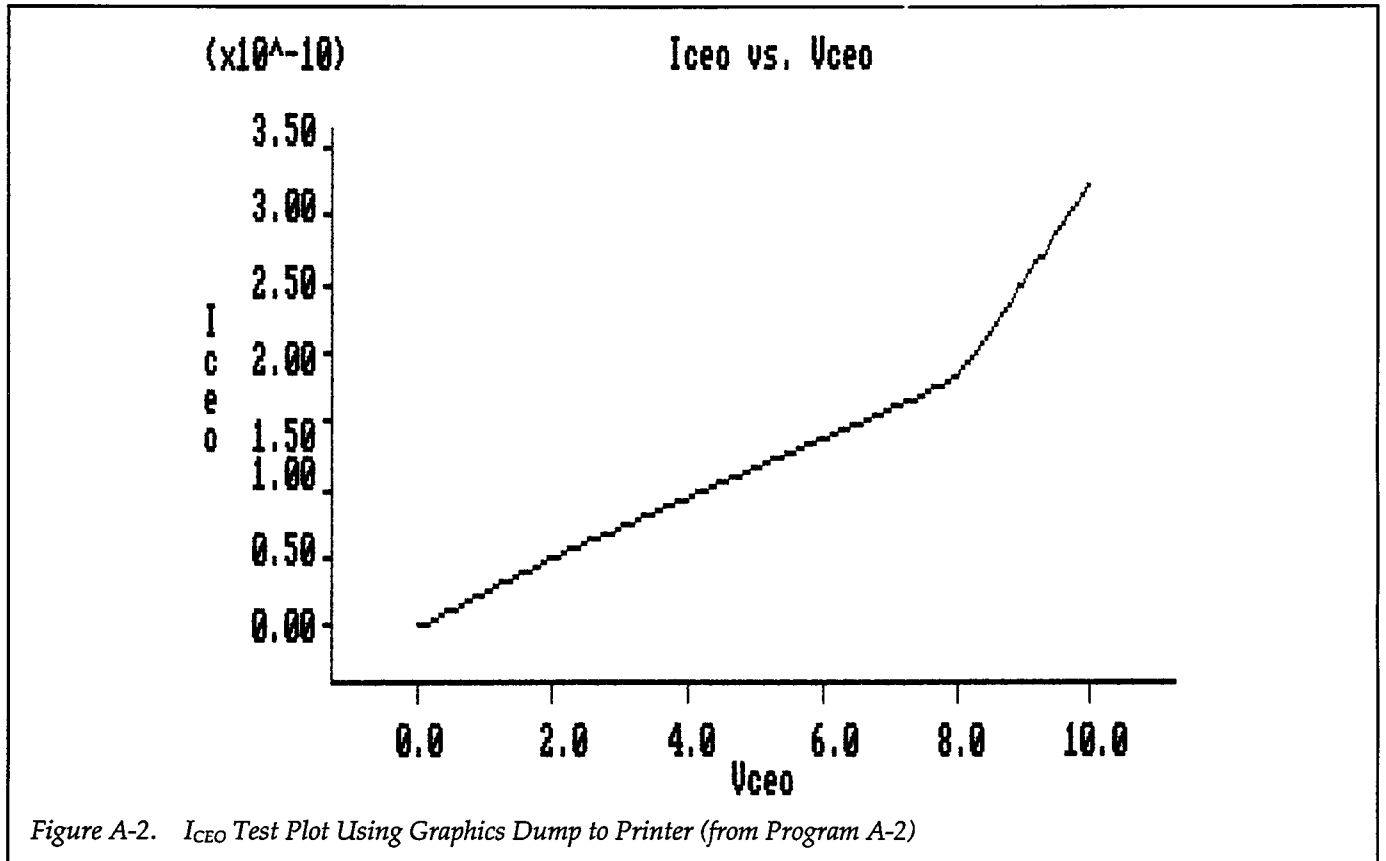


Figure A-2.  $I_{ce0}$  Test Plot Using Graphics Dump to Printer (from Program A-2)

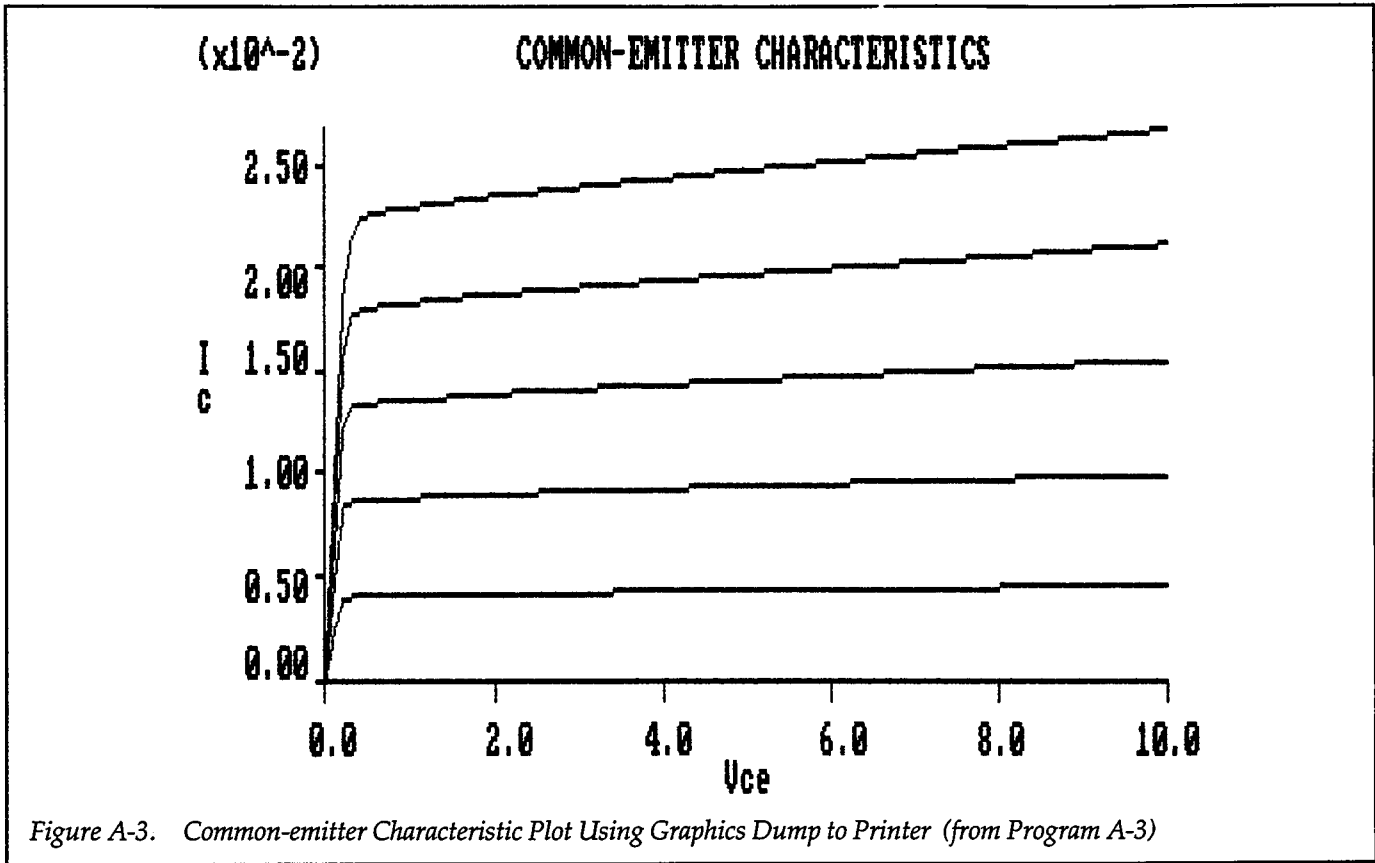


Figure A-3. Common-emitter Characteristic Plot Using Graphics Dump to Printer (from Program A-3)

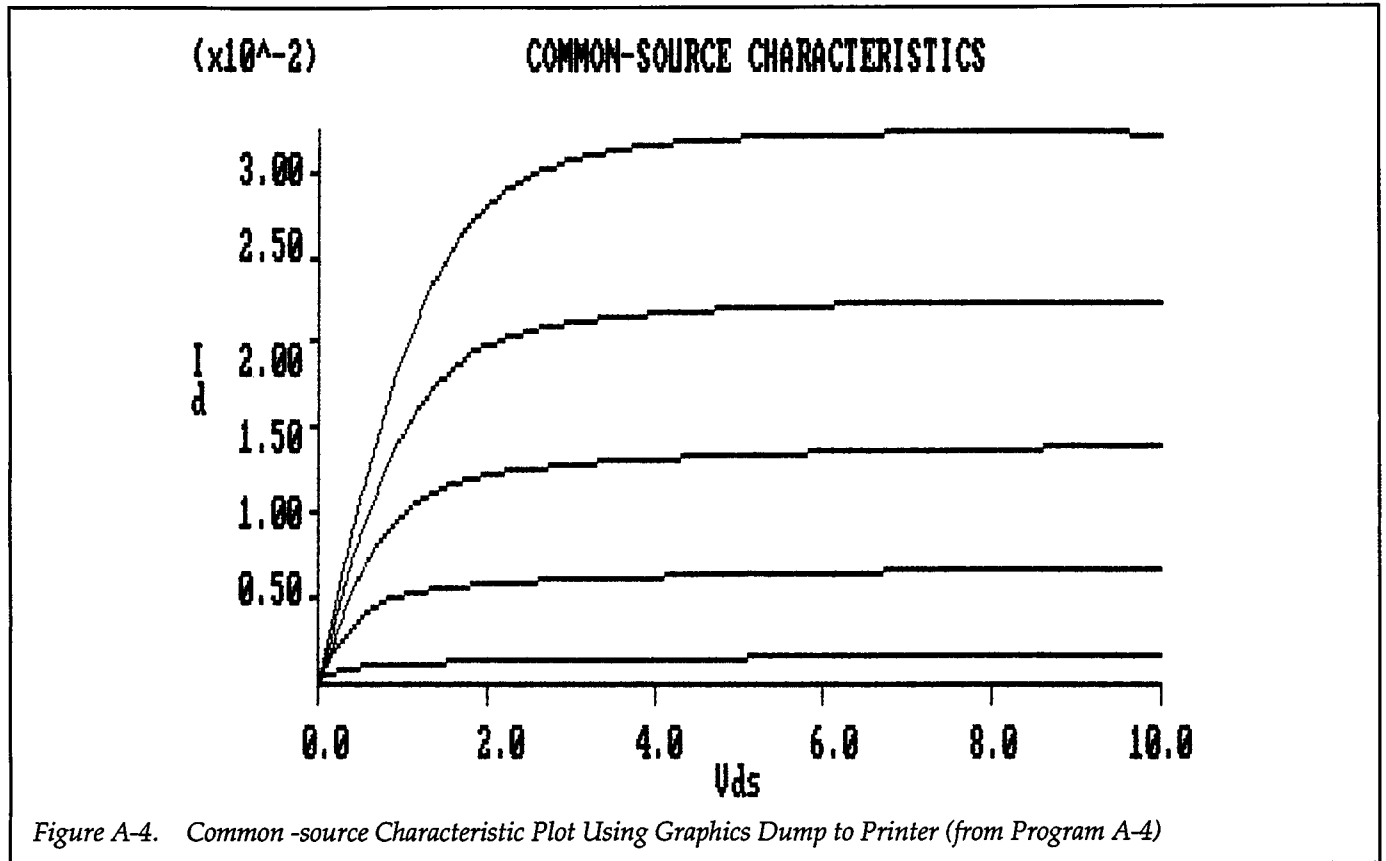
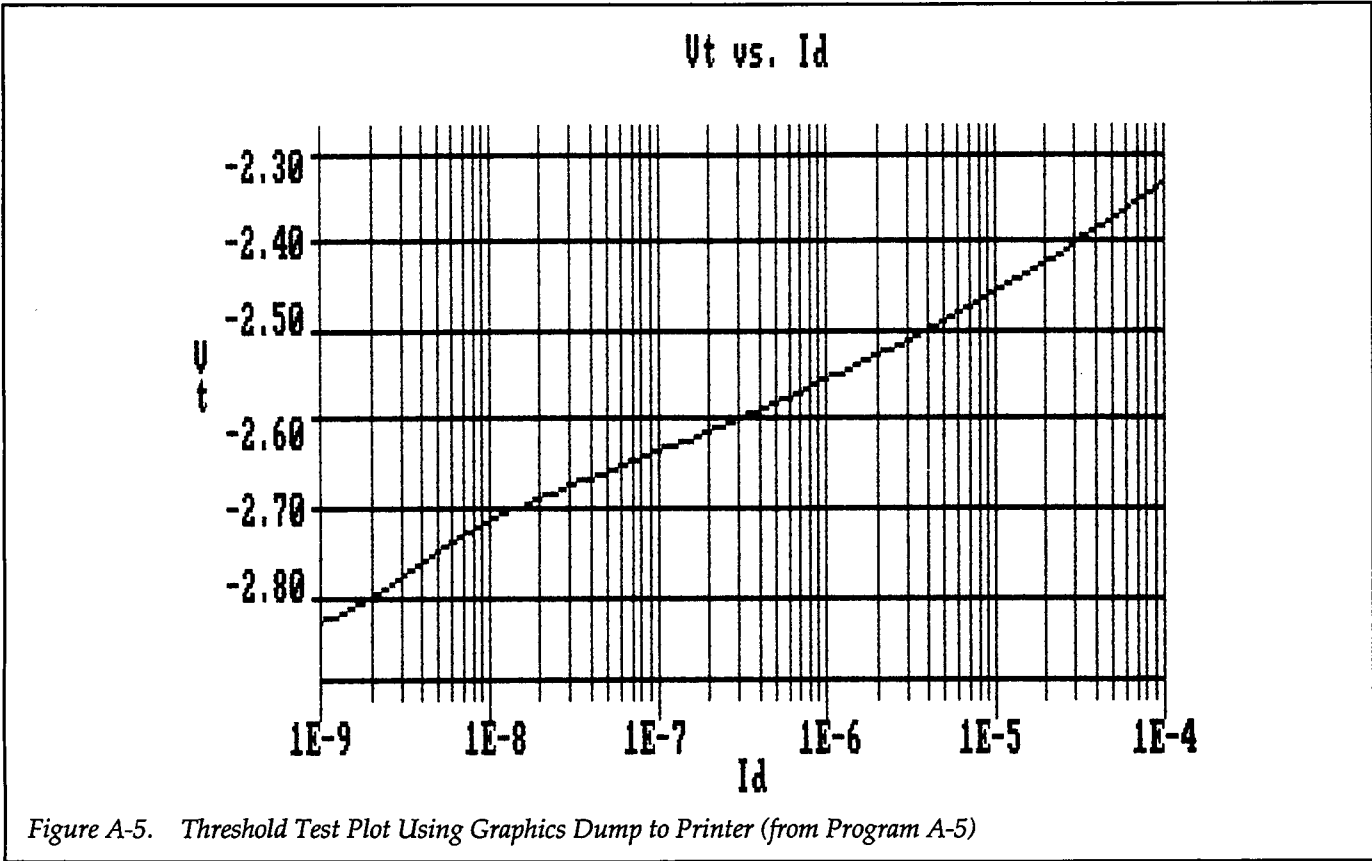
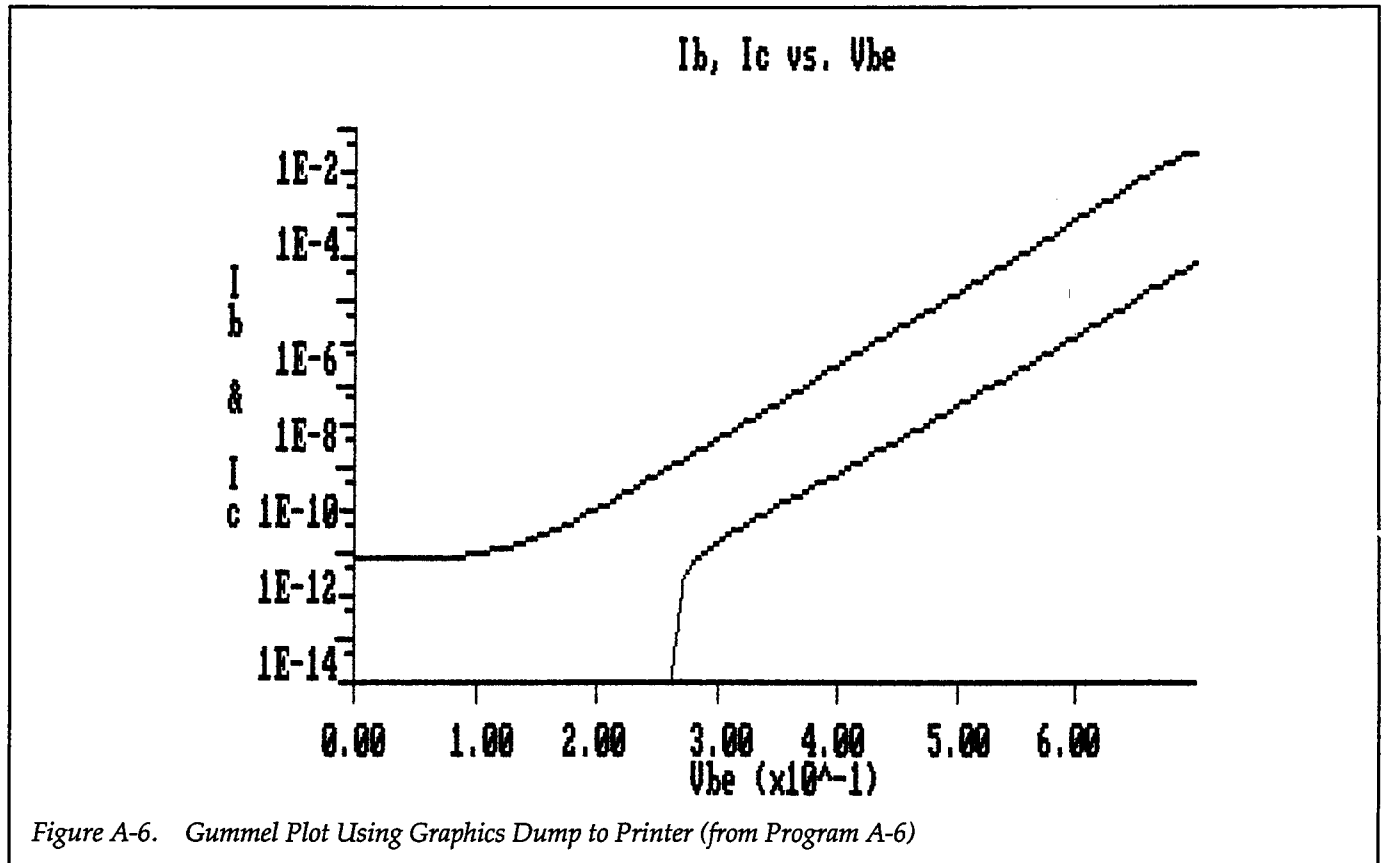


Figure A-4. Common-source Characteristic Plot Using Graphics Dump to Printer (from Program A-4)





# INDEX

---

## A

Autoranging, 8-1

## B

BINARY DATA TRANSFER, 8-10

Bias Value, 1-5

Binary Data Format, 8-2

Binary Transfer, 8-4, 8-10

Breakdown tests, 3-24

binary-to-decimal conversion, 8-6

## C

CAPACITOR LEAKAGE, 2-8

CEC-GRAPH, A-1

COMMON-EMITTER CHARACTERISTICS,  
3-3

COMMON-SOURCE CHARACTERISTICS,  
4-2

Common-source Characteristics, 5-9

Compiling, A-1

Computer Hardware, A-1

Computer Software, A-1

Controller Speed, 8-3

CURRENT GAIN, 3-13

CURRENT SOURCE, 6-1

Current Gain, 3-21

## D

Data Format, 8-1

Dc Current Gain, 3-14, 3-18

Dc Current Gain of Multiple DUTs, 7-4

Delay Period, 8-1

DIODE CHARACTERIZATION, 2-12

DIODE TEST, 8-3

DMA, 8-3

DUMP GRAPHICS, 1-3

## E

ELECTROMETER, 6-7

Electrometer/Source, 6-8

END option, 8-6

Equipment Connections, 7-1

Example Program Summary, 1-3

Example Programs, 1-2

## F

Factory Initialization, 1-4

Fast Current Gain, 3-15

FET Tests, 4-1

Filtering, 8-1

fast-handshake transfer, 8-3

## G

Gain Calculations, 3-13

Graphics Routines, 1-3

GUMMEL PLOT, 3-8

$g_{fs}$ , 4-8

## H

HPGL plotter, 1-3

## I

IBM-PC Computers, A-1

$I_{CEO}$  Test, 3-24

INPUT statements, 2-14

INSTRUMENT CONNECTIONS, 2-1, 3-1, 4-1

Instrument Connections for Transistor Tests,  
3-1

Integration Rate, 8-1

IOtech Driver488, A-1

immediate trigger, 3-10

iterative search algorithm, 3-21

## J

JUMPER CONNECTIONS, 5-1

JUMPER INSTALLATION, 2-1

JUMPER INSTALLATION FOR FET TESTS,  
4-2

JUMPER INSTALLATION FOR TRANSIS-  
TOR TESTS, 3-2

## L

Leakage Resistance, 2-8

Line Cycle Integration, 1-4

Linking, A-1

Log Sweeps, 2-14

Low Current, 7-1

## M

MATRIX SWITCHING, 7-7

MATRIX SWITCHING SYSTEM, 7-14

Measurement Considerations, 8-17

measurement noise, 4-2

## O

One-shot Triggering, 1-4

Optimizing Measurement Speed, 8-1

## P

PLOT statement, 2-14

POWER TRANSISTOR TESTING, 6-13

Points Per Sweep, 8-1

Power Transistor Current Gain, 6-14

PROGRAM SYNOPSIS, 1

Programming Language, 1-2

Pulsed Sweeps, 2-14

## Q

QuickBASIC, A-1



## R

Ranging, 1-4  
RESISTIVITY TESTING, 7-7  
Remote/Local Sensing, 1-1  
Resistivity Calculations, 7-10  
remote sensing, 1-1

## S

SAFETY PRECAUTIONS, 0  
SCANNER SWITCHING, 7-1  
SELF-BIAS THRESHOLD TEST, 8-16  
Search Method, 3-13, 4-17  
Self-bias Method, 4-21  
Self-bias Threshold Voltage Tests, 4-22  
SOFTWARE CONFIGURATION, 1-2  
SOURCE MEASURE UNIT SUBSTRATE BI-  
ASING, 5-1

SUBSTRATE BIAS INSTRUMENT CONNEC-  
TIONS, 5-1

Substrate Bias, 5-1  
Substrate Current vs. Gate-source Voltage, 5-4  
Switching Capabilities, 7-1  
Switching Matrix, 7-10  
System Configuration, 1-1  
soak time, 2-8  
subordinate-sweep, 3-5  
synchronized sweeps, 3-10

## T

THRESHOLD TESTS, 4-17  
Threshold Voltage Tests Using Search  
Method, 4-17  
TRANSCONDUCTANCE TESTS, 4-8  
TRANSFER statement, 8-6  
TRANSISTOR LEAKAGE CURRENT, 3-24

TRIGGER IN jack, 4-2  
TRIGGER OUT jack, 4-2  
Transconductance Test Using Switching Ma-  
trix, 7-18  
Transconductance vs. Drain Current, 4-13  
Transconductance vs. Gate Voltage, 4-8

## V

VIEWPORT statement, 2-14  
VOLTAGE COEFFICIENT, 2-1  
VOLTAGE SOURCE SUBSTRATE BIASING,  
5-14  
Voltage Source Substrate Bias, 5-20

## W

WAIT options, 8-6  
WINDOW statement, 2-14